



METROLOGIC INSTRUMENTS, INC.
MS3580 Quantum[®]
Installation and User's Guide



Copyright

© 2006 by Metrologic Instruments, Inc. All rights reserved. No part of this work may be reproduced, transmitted, or stored in any form or by any means without prior written consent, except by reviewer, who may quote brief passages in a review, or provided for in the Copyright Act of 1976.

Trademarks

Metrologic is a registered trademark of Metrologic Instruments, Inc. Products identified in this document are hereby acknowledged as trademarks, registered or otherwise, of Metrologic Instruments, Inc. or their respective companies.

TABLE OF CONTENTS

Introduction

Product Overview	1
Scanner and Accessories	2
Scanner Components	4
Caution and Serial Number Labels	5
Cable Removal	5
Maintenance	5
Mounting Specifications and Stand Assembly	6

Installation

RS232, RS232 TTL, Light Pen or Laser Emulation	8
IBM 46xx or OCIA	9
Keyboard Wedge	10
Stand-Alone Keyboard Wedge	11
Full Speed or Low Speed USB (Integrated)	12

Scanner Operation

Configurable Primary and Secondary Scan Pattern Modes	13
Configurable Button Functions	13

Indicators

Audible	19
Visual	20
Failure	21

Depth of Field Specifications

Normal Scan Zone	22
Reduced Scan Zone	23

Depth of Field by Bar Code Element Width

Normal Scan Zone	24
Reduced Scan Zone	25

IR Activation Range	26
---------------------------	----

TABLE OF CONTENTS

Troubleshooting Guide	27
Design Specifications	31
Applications and Protocols	33
Default Settings - Communication Parameters.....	34
Upgrading the Flash ROM Firmware	39
Scanner and Cable Terminations	
Scanner Pinout Connections	40
Cable Connector Configurations (Host End)	42
Regulatory Compliance	
Safety	44
EMC	45
Limited Warranty	47
Patents	48
Index	49
Contact Information and Office Locations.....	51

INTRODUCTION

The Quantum7[®] is a hands-free, omnidirectional bar code scanner with optional single-line scanning capabilities. It utilizes the powerful Metrologic QuantumE[®] scan engine to provide an outstanding scan performance on all standard 1D barcode symbologies, including RSS. This fully enclosed scanner includes large easily visible LEDs and a rugged protective boot with an adjustable stand. The Quantum7 can be mounted to a countertop, wall or be left free standing for handheld scanning.

Key Product Features

- Fully Automatic Scanning Operation
- Single-Line Mode for Menu Reading
- Custom Configurable Scan Pattern
- User-Replaceable Single Cable Interface to Host (PowerLink Compatible)
- Decoding of All Standard 1D, RSS-14, RSS Limited and Expanded RSS Bar Codes
- 7 Beeper Tones
- Configurable Depth of Field
- Flash - Upgradeable Firmware
- OPOS and JPOS System Compatible
- CodeGate[®]
- Sunrise 2005 Compliant

QUANTUM7	INTERFACE
MS3580-9	OCIA and RS232 Transmit/Receive
MS3580-11	IBM 46xx and Full RS232
MS3580-38	RS232 Low Speed USB, Keyboard Emulation Mode or Serial Emulation Mode*
MS3580-40	Full Speed USB
MS3580-41	RS232/Light Pen Emulation
MS3580-47	Keyboard Wedge, Stand-Alone Keyboard and RS232 Transmit/Receive
MS3580-104	RS232 TTL, Laser Emulation

* Configurable for Keyboard Emulation Mode or Serial Emulation Mode. Default setting is Keyboard Emulation Mode.

Scanner and Accessories


BASIC KIT COMPONENTS	
Part No.	Description
MS3580	QuantumT Omni \ Single-Line Scanner
00-02026	QuantumT Omni \ Single-Line Scanner Installation and User's Guide *
00-02407	MetroSelect® Configuration Guide *

* Guides also available for download at www.metrologic.com.

OPTIONAL ACCESSORIES	
Part No.	Description
AC to DC Power Transformer - Regulated 5.2VDC @ 1 A output.	
46-00525	120V United States and Canada
46-00526	220V-240V Continental European
46-00527	220V-240V United Kingdom
46-00528	220V-240V Australia
46-00529	220V-240V China
46-00530	220V-240V India
54-54000x -3	RS232 PowerLink Cable with Built in Power Jack 2.1 m (7 ft.) straight cord, short strain relief
MVC**	Metrologic Voltage Converter Cable $\pm 12\text{VDC}$ to $+5.2\text{VDC}$
** Contact a Metrologic customer service representative for additional information on the MVC cable series and the host connections available.	

Other items may be ordered for the specific protocol being used. To order additional items, contact the dealer, distributor or call Metrologic's customer service department at 1-800-436-3876.

Scanner and Accessories

OPTIONAL ACCESSORIES	
Part No.	Description
54-54002x-3	Keyboard Wedge PowerLink Cable 2.1 m (7 ft.) straight cord, short strain relief
54-54020x-3	Stand Alone Keyboard PowerLink Cable 2.1 m (7 ft.) straight cord, short strain relief
54-54213x-N-3	USB Full Speed Cable, Locking Plus-Power™ Type A 3 m (10 ft.) straight cord, short strain relief
54-54214x-N-3	USB Full Speed Cable, Locking Plus-Power™ Type A 5 m (17 ft.) straight cord, short strain relief  This cable is for use with full speed USB (-40) interface only.
54-54235x-N-3	USB Low Speed Communication Cable, Type A 2.8 m (9.2 ft.) straight cord, short strain relief
54-54249x-N-3	Communication Cable, Host End Not Terminated 203 mm (8") straight cord, short strain relief
46-00288	Flex Stand (3")
46-00289	Flex Stand (6")

Other items may be ordered for the specific protocol being used. To order additional items, contact the dealer, distributor or call Metrologic's customer service department at 1-800-436-3876.

Scanner Components

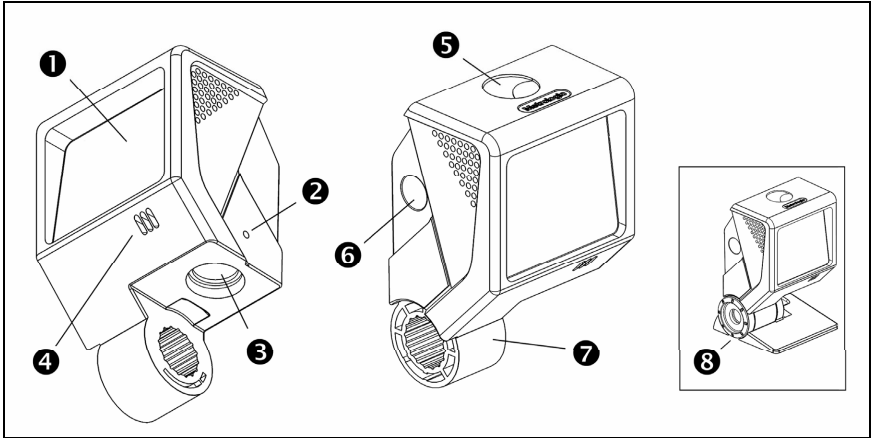




Figure 1. Scanner Components

ITEM No.	DESCRIPTION
1	Red Output Window (Laser Aperture)
2	Pin Hole for Cable Release
3	10-Pin RJ45, Female Socket
4	Speaker
5	Blue and White LED Indicators
6	Button
7	<p>Protective Boot and Stand Connection</p>  <p>Never remove the protective boot from the MS3580. Removing the protective boot will expose electrical components of the scanner that are highly susceptible to <u>electrostatic discharge (ESD)</u>.</p>
8	<p>Pedestal Stand</p>  <p>The type of stand provided is dependent on the specific MS3540 kit purchased.</p>

INTRODUCTION

Caution and Serial Number Labels

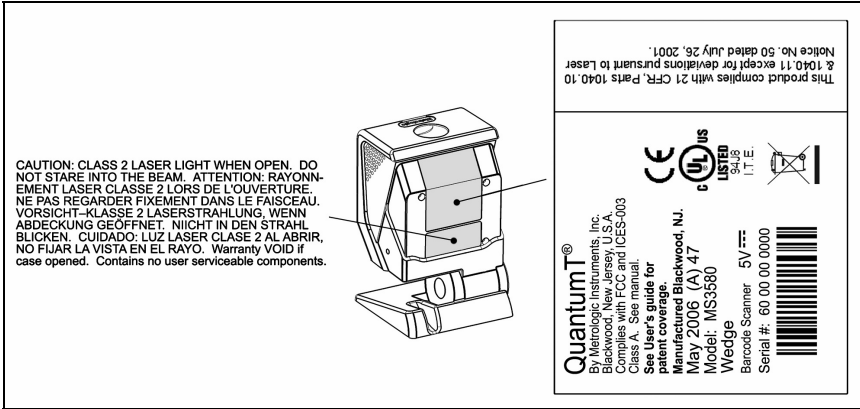


Figure 2. Labeling Example



Caution

To maintain compliance with applicable standards, all circuits connected to the scanner must meet the requirements for SELV (Safety Extra Low Voltage) according to EN/IEC 60950-1.

To maintain compliance with standard CSA C22.2 No. 60950-1/UL 60950-1 and norm EN/IEC 60950-1, the power source should meet applicable performance requirements for a limited power source.

Cable Removal

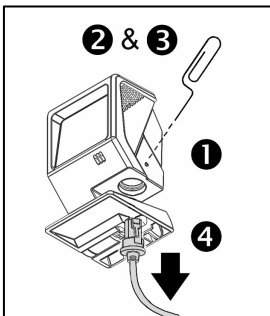


Figure 3. Cable Release

1. Locate the small 'pin-hole' on the side of the Quantum7 near the cable.
2. Bend an ordinary paperclip into the shape shown.
3. Insert the paperclip (or other small metallic pin) into the small 'pin-hole'.
4. You will hear a faint 'click' when the cable lock is released. Pull gently on the strain-relief of the PowerLink cable to remove it from the scanner.

Maintenance

Smudges and dirt can interfere with the proper scanning of a bar code. The output window should be routinely cleaned with glass cleaner sprayed onto a lint free, non-abrasive cleaning cloth.

INTRODUCTION

Mounting Specifications and Stand Assembly

Pedestal Stand

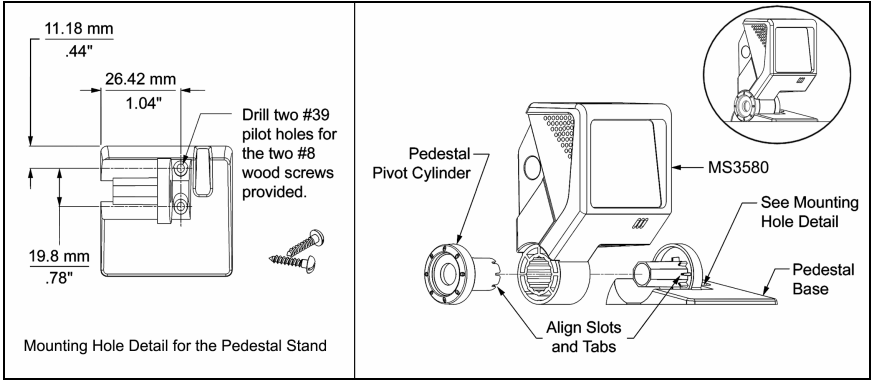


Figure 4. Pedestal Stand Assembly

Optional Flex Stand

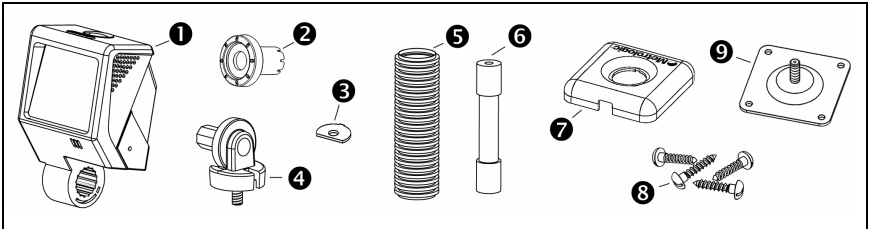


Figure 5. Assembly Components for Optional Flex Stand

Item	Description	Qty.
1	MS3580, QuantumT	1
2	Pivot Cylinder	1
3	Bearing Plate	1
4	Pole Mount Adapter	1
5	Flexible Shaft Cover*	1

Item	Description	Qty
6	Flexible Shaft*	1
7	Base Plate Cover	1
8	#8 x 1.00" Wood Screw	4
9	Base Plate	1
10	Cable (Not Shown)	1

* Length of the Flexible Shaft and Shaft Cover are Kit Dependent

Kit Number	Length of Flexible Shaft and Flexible Shaft Cover
46-00288	3 inches
46-00289	6 inches

Mounting Specifications and Stand Assembly

Optional Flex Stand

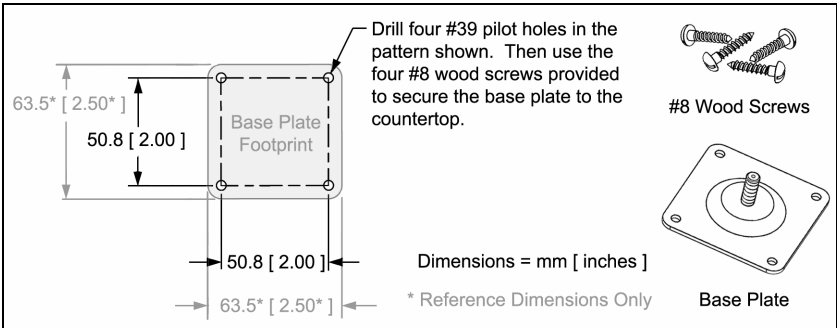


Figure 6. Mounting Hole Detail for the Flex Stand Base Plate (Optional)

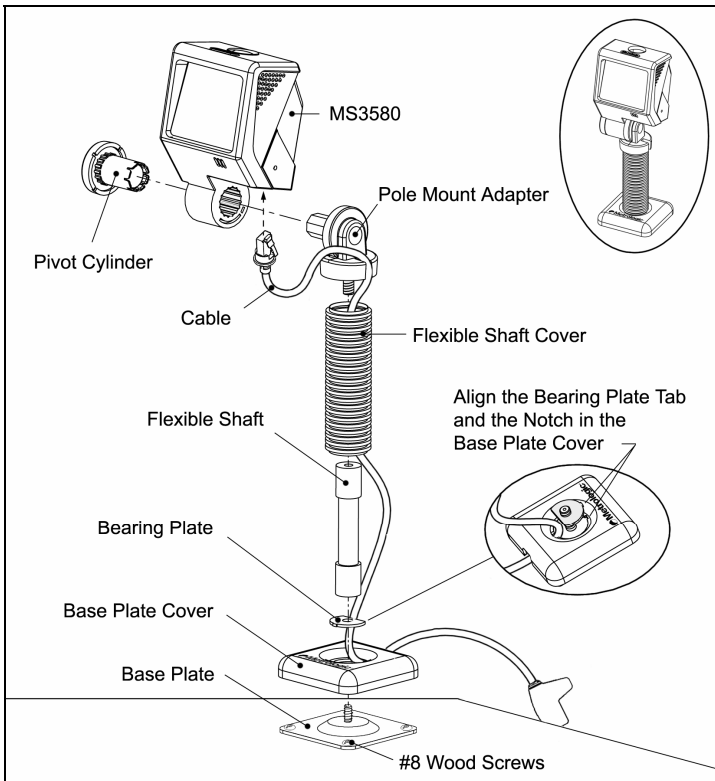


Figure 7. Assembling the Optional Flex Stand

RS232, RS232 TTL, Light Pen or Laser Emulation

1. Turn off the host device.
2. Plug the male 10-pin RJ45 end of the PowerLink cable into the 10-pin socket on the MS3580.
3. Connect the 9-pin female end of the PowerLink cable to the host device.
4. Plug the external power supply into the power jack on the PowerLink cable.



Check the AC input requirements of the power supply to make sure the voltage matches the AC outlet. The outlet must be located near the equipment and be easily accessible.

5. Connect AC power to the transformer.
6. Turn on the host device.

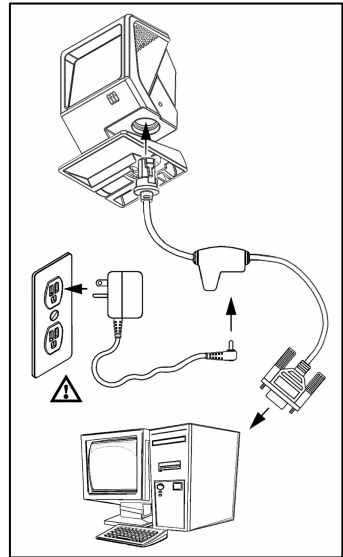


Figure 8.



When the scanner first receives power, the blue LED will turn on; the scanner will simultaneously emit a beep and flash the white LED.



Plugging the scanner into the serial port of the PC does not guarantee that scanned information will appear at the PC. A software driver and correct configuration setting are also required for proper communication to occur.



The **MS3580-104** leaves the factory with the Laser Emulation enabled. If the Recall Defaults bar code is scanned while reconfiguring the scanner, laser emulation will no longer be enabled. Scan the Laser Emulation barcode in *Section J: Laser Emulation* of the MetroSelect Configuration Guide to re-enable the laser emulation interface. This feature is only supported for **MS3580-104** models.



See page 5.

INSTALLATION

IBM 46xx or OCIA

1. Turn off the host device.
2. Plug the male 10-pin RJ45 end of the MVC cable into the 10-pin socket on the MS3580.
3. Connect the other end of the MVC cable to the host device.
4. Turn on the host device.

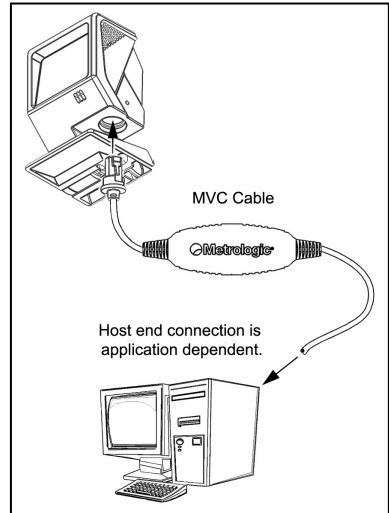


Figure 9.



When the scanner first receives power, the blue LED will turn on; the scanner will simultaneously emit a beep and flash the white LED.



Plugging the scanner into the serial port of the PC does not guarantee that scanned information will appear at the PC. A software driver and correct configuration setting are also required for proper communication to occur.



See page 5.

Keyboard Wedge

1. Turn off the host device.
2. Plug the male 10-pin RJ45 end of the PowerLink cable into the 10-pin socket on the MS3580.
3. Disconnect the keyboard from the host device.
4. Connect the "Y" end of the PowerLink cable to the keyboard and the keyboard port on the host PC. If necessary use the male/female adapter cable supplied with the scanner for proper connections.
5. Plug the external power supply into the power jack on the PowerLink cable.



Check the AC input requirements of the power supply to make sure the voltage matches the AC outlet. The outlet must be located near the equipment and be easily accessible.

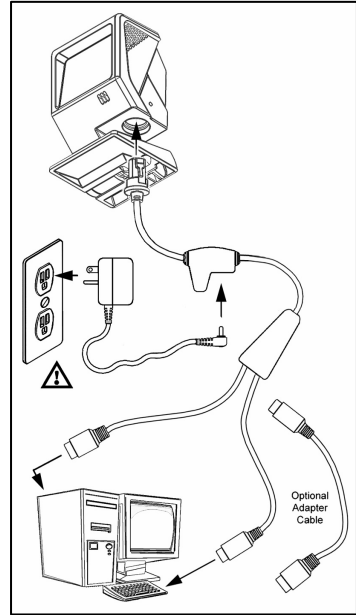


Figure 10.

6. Connect AC power to the transformer.
7. Turn on the host device.



When the scanner first receives power, the blue LED will turn on; the scanner will simultaneously emit a beep and flash the white LED.



Powering the MS3580 directly from the host device can sometimes cause interference with the operation of the scanner or the computer. Not all computers supply the same current through the keyboard port. For this reason, Metrologic recommends using an external power supply. For additional information contact a Metrologic customer service representative.



See page 5.

Stand-Alone Keyboard

1. Turn off the host device.
2. Plug the male 10-pin RJ45 end of the PowerLink cable into the 10-pin socket on the MS3580.
3. Connect the other end of the PowerLink cable to the keyboard port on the host device.
4. Plug the external power supply into the power jack on the PowerLink cable.



Check the AC input requirements of the power supply to make sure the voltage matches the AC outlet. The outlet must be located near the equipment and be easily accessible.

5. Connect AC power to the transformer.
6. Turn on the host device.

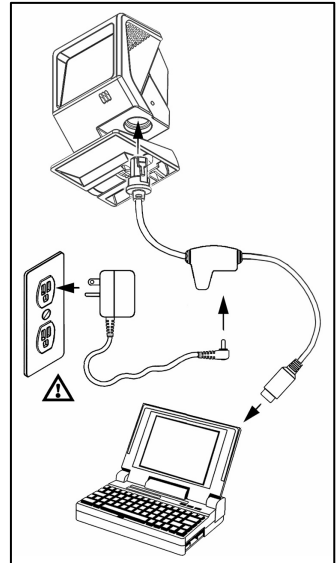


Figure 11.



When the scanner first receives power, the blue LED will turn on; the scanner will simultaneously emit a beep and flash the white LED.



Powering the MS3580 directly from the host device can sometimes cause interference with the operation of the scanner or the computer. Not all computers supply the same current through the keyboard port. For this reason, Metrologic recommends using an external power supply. For additional information contact a Metrologic customer service representative.



See page 5.

INSTALLATION

Full Speed or Low Speed USB

1. Turn off the host device.
2. Plug the male 10-pin RJ45 end of the USB cable into the 10-pin socket on the MS3580.
3. Plug the other end of the USB interface cable into the host device's USB port.
4. Turn on the host device.

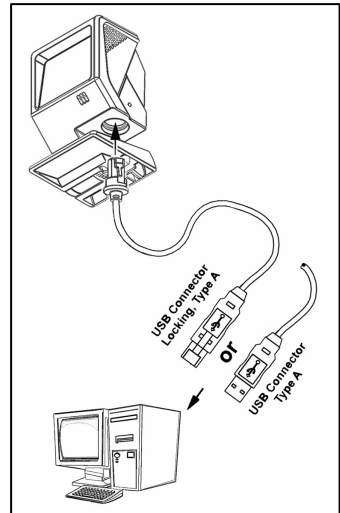


Figure 12.



When the scanner first receives power, the blue LED will turn on; the scanner will simultaneously emit a beep and flash the white LED.



As a default, the MS3580-38 leaves the factory with USB Keyboard Emulation Mode enabled.

For information on configuring the MS3580-38 for USB Serial Emulation Mode, please refer to *Section P: Low Speed USB* in the MetroSelect Configuration Guide (MLPN 00-02407).



Plugging the scanner into the USB port of the PC does not guarantee that scanned information will appear at the PC. A software driver and correct configuration setting are also required for proper communication to occur.



See page 5.

Configurable Primary and Secondary Scan Pattern Modes

There are two configurable scan pattern modes available with the MS3580.

- The **primary** scan pattern mode is the default scan pattern active when the scanner starts.
- The **secondary** scan pattern mode is activated by pressing the button located on the side of the scanner. This mode is also referred to as the button mode. For additional information on Quantum's button modes and an example of each, please refer to *Configurable Button Functions* below.



The scanner returns to the primary scan pattern mode after a double click of the button or if the unit has not scanned a bar code for the duration of a pre-configured time limit.

Each pattern mode can be configured to use one of three scan patterns listed below. Please refer to the MetroSelect Configuration Guide for information on changing the default scan pattern settings.

- all scan lines on (omnidirectional reading)
- single-line (menu reading)
- horizontal raster



If CodeGate is *enabled*, it will apply to the secondary pattern mode when scanning. For detailed information on CodeGate and the button refer to the *Configurable Button Functions*.

Configurable Button Functions

The button on the side of the MS3580 can be configured to function in one of four modes.

- Button *Click* Mode, with CodeGate Enabled (Default)
- Button *Click* Mode, with CodeGate Disabled
- Button *Hold* Mode, with CodeGate Enabled
- Button *Hold* Mode, with CodeGate Disabled

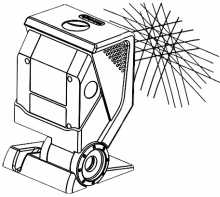
The following pages include examples of how the button will function when the unit has been configured to operate in each of the four button modes.

Configurable Button Functions

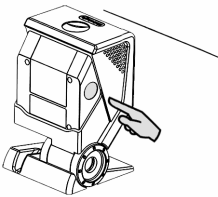
SECONDARY SCAN PATTERN BUTTON CLICK MODE WITH CODEGATE ENABLED



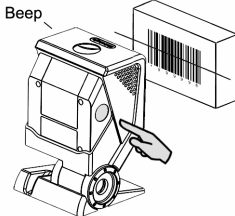
For illustration purposes the unit's primary scan pattern has been set to *all scan lines (omnidirectional reading)* and the secondary pattern has been set to *single-line (menu reading)* with a 5 second button click timeout configured.



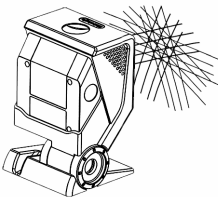
1. The primary scan pattern is active when the scanner starts.



2. To activate the secondary scan pattern, **press and release** the button.



3. To decode and transmit the bar code, **press and release** the button. The scanner will beep once.



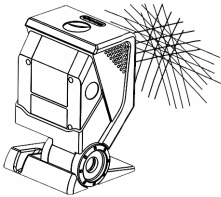
4. To reactivate the primary scan pattern, **double click** the button or after 5-seconds of no-scanning the unit will automatically reactivate the primary pattern.

Configurable Button Functions

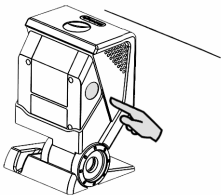
SECONDARY SCAN PATTERN BUTTON CLICK MODE WITH CODEGATE DISABLED



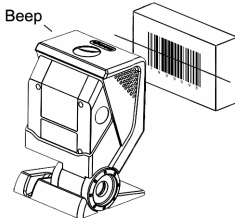
For illustration purposes the unit's primary scan pattern has been set to *all scan lines (omnidirectional reading)* and the secondary pattern has been set to *single-line (menu reading)* with a 5 second button click timeout configured.



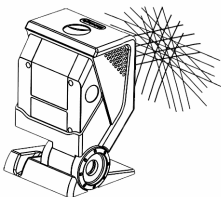
1. The primary scan pattern is active when the scanner starts.



2. To activate the secondary scan pattern, **press and release** the button.



3. The unit will beep once as it decodes and transmits the bar code.



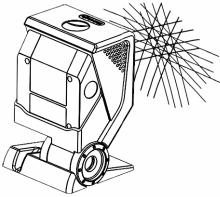
4. To reactivate the primary scan pattern, **double click** the button or after 5-seconds of no-scanning the unit will automatically reactivate the primary pattern.

Configurable Button Functions

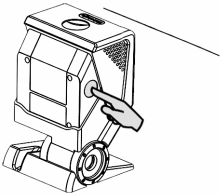
SECONDARY SCAN PATTERN BUTTON HOLD MODE WITH CODEGATE ENABLED



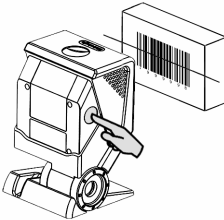
For illustration purposes the unit's* primary scan pattern has been set to *all scan lines (omnidirectional reading)* and the secondary pattern has been set to *single-line (menu reading)* with a 5 second button click timeout configured.



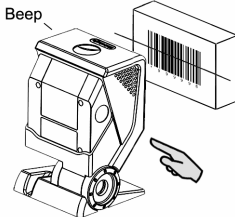
1. The primary scan pattern is active when the scanner starts.



2. To activate the secondary scan pattern, **press and hold** the button.

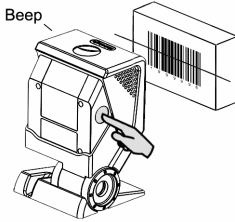


3. To scan the bar code, **align** the laser line over the bar code while continuing to **hold** down the button.

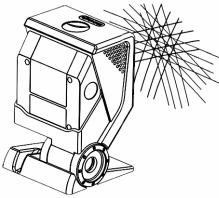


4. To transmit the bar code, **release** the button. The scanner will beep once.

Configurable Button Functions



5. To scan and transmit additional bar codes, **repeat** steps 2 through 4.



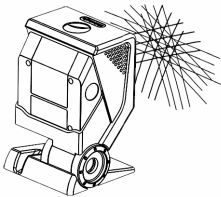
6. The primary scan pattern will automatically reactivate after the button is released and no bar code is present in the scan field.

Configurable Button Functions

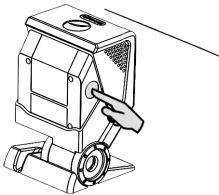
SECONDARY SCAN PATTERN BUTTON HOLD MODE WITH CODEGATE DISABLED



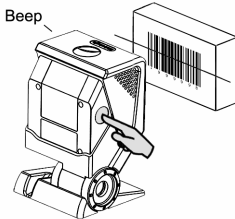
For illustration purposes the unit's* primary scan pattern has been set to *all scan lines (omnidirectional reading)* and the secondary pattern has been set to *single-line (menu reading)* with a 5 second button click timeout configured.



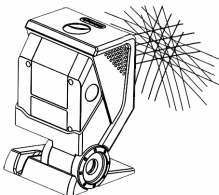
1. The primary scan pattern is active when the scanner starts.



2. To activate the secondary scan pattern, **press and hold** the button.



3. To scan and transmit the bar code, **align** the laser line over the bar code while continuing to **hold** down the button. The scanner will beep once to indicate the bar code has been scanned and transmitted.



4. The primary scan pattern will automatically reactivate after the button is released and no bar code is present in the scan field.

Audible Indicators

When the MS3580 is in operation, it provides audible feedback to indicate the status of the scanner. Eight settings are available for the tone of the beep (normal, 6 alternate tones and no tone). For instructions on how to change the tone of the beeper, refer to the MetroSelect Configuration Guide (00-02407).



One Beep

When the scanner *first* receives power the white LED will flash, the blue LED will turn on and the scanner will beep once (*the white LED will remain on for the duration of the beep*). The scanner is now ready to scan.

When the scanner *successfully* reads a bar code, the white LED will flash and the scanner will emit a beep (*if configured to do so*). If the scanner does not beep once and the white light does not flash, then the bar code has *not* been successfully read.



Razzberry Tone

This is a failure indicator. Refer to *Failure Mode Indicators* on page 21.



Three Beeps - during operation

When placing the scanner in configuration mode, the white LED will flash while the scanner simultaneously beeps three times. The white and blue LEDs will continue to flash until the unit exits configuration mode. Upon exiting configuration mode, the scanner will beep three times and the white LED will stop flashing.

When configured, 3 beeps can also indicate a communications timeout during normal scanning mode.

When using one-code-configuring, the scanner will beep three times: the current selected tone, followed by a short pause, a high tone and a low tone. This tells the user that the single configuration bar code has *successfully* configured the scanner.



Three Beeps - on power up

This is a failure indicator. Refer to *Failure Mode Indicators* on page 21.

Visual Indicators

The Quantum7 is equipped with a blue and white LED that indicates the scanner's state and the status of the current scan when the unit is in operation.

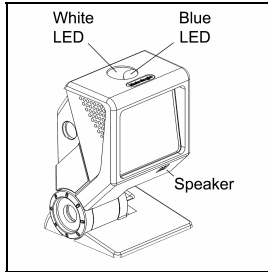


Figure 13. Speaker Location and LED Location

No LEDs

The LEDs will not be illuminated if the scanner is not receiving power from the host or transformer. They are also not illuminated when the laser is turned off for any reason.

Steady Blue

When the laser is active, the blue LED is illuminated. The blue LED will remain illuminated until the laser is deactivated.

Steady Blue and Single White Flash

When the scanner successfully reads a bar code, the white LED will flash and the scanner will beep once. If the white LED does not flash or the scanner does not beep once, then the bar code has not been successfully read.

Steady White and Blue

After a successful scan, the scanner transmits the data to the host device. Some communication modes require that the host inform the scanner when data is ready to be received. If the host is not ready to accept the information, the scanner's white LED will remain on until the data can be transmitted.

Alternating Blue and White Flashes

This indicates the scanner is in configuration mode. A razzberry tone indicates that an invalid bar code has been scanned in this mode.

Steady White, Blue Off

This indicates the scanner may be waiting for communication from the host.

Failure Mode Indicators

Flashing Blue and One Razzberry Tone

This indicates that the scanner has experienced a laser subsystem failure. Return the unit to an authorized service center for repair.

Flashing Blue and White and Two Razzberry Tones

This indicates that the scanner has experienced a motor failure. Return the unit to an authorized service center for repair.

Continuous Razzberry Tone with Both LEDs Off

If, upon power up, the scanner emits a continuous razzberry tone, then the scanner has an electronic failure. Return the unit to an authorized service center for repair.

Three Beeps - On Power Up

If the scanner beeps 3 times on power up, then the nonvolatile memory that holds the scanner configuration has failed. Return the unit to an authorized service center for repair.

Depth of Field Specifications*

Normal Scan Zone

Specifications are based on a 0.33 mm (13 mil) bar code.

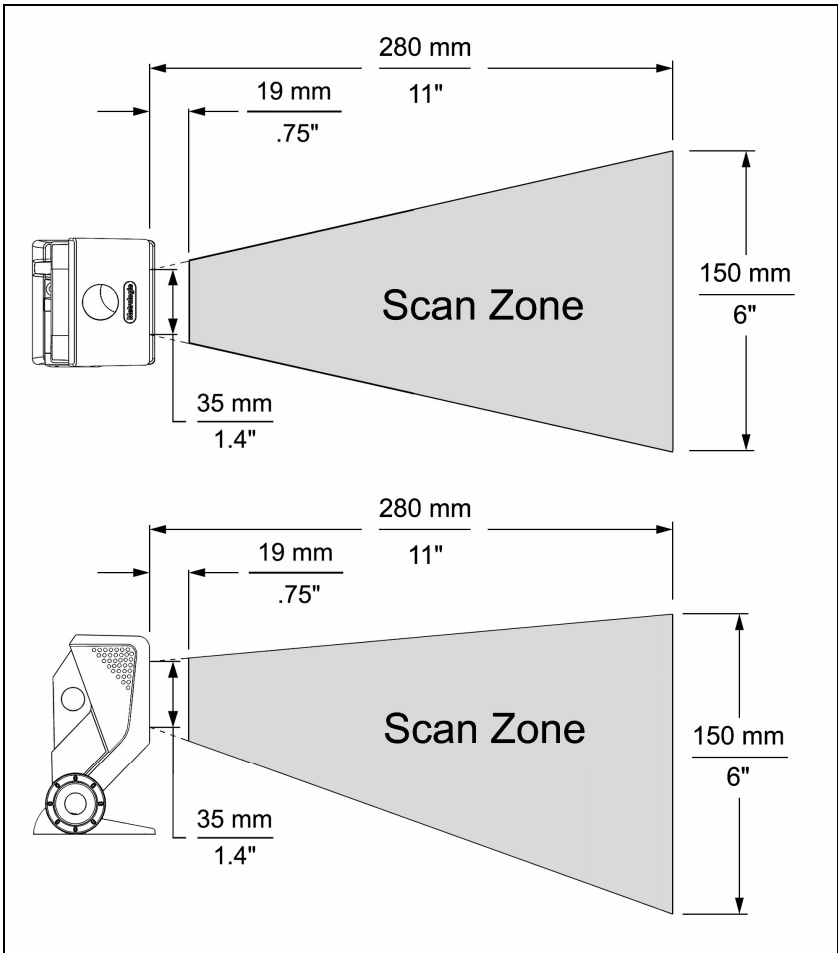


Figure 14. MS3580† Normal Depth of Field

* All specifications are subject to change without notice.

† MS3580 shown with pedestal stand.

Depth of Field Specifications*

Reduced Scan Zone

Specifications are based on a 0.33 mm (13 mil) bar code.

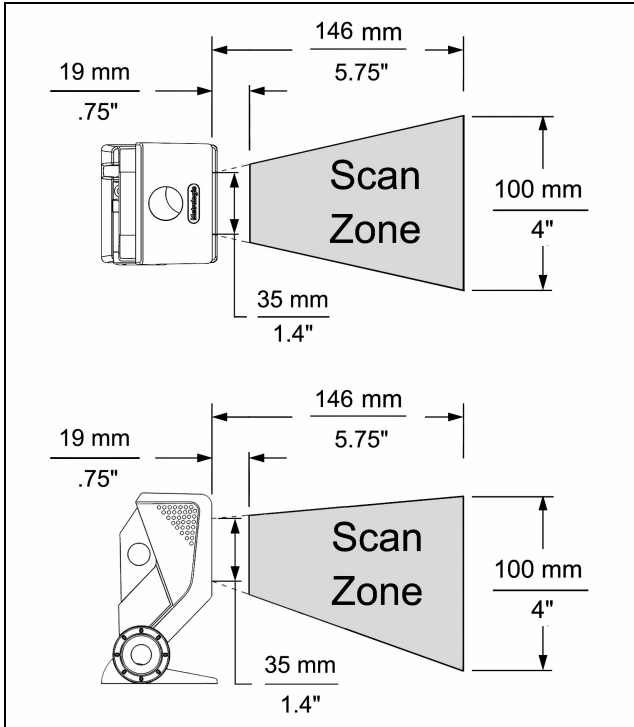


Figure 15. MS3580[†] Reduced Depth of Field

* All specifications are subject to change without notice.

[†] MS3580 shown with pedestal stand.

Depth of Field by Bar Code Element Width*

Normal Scan Zone

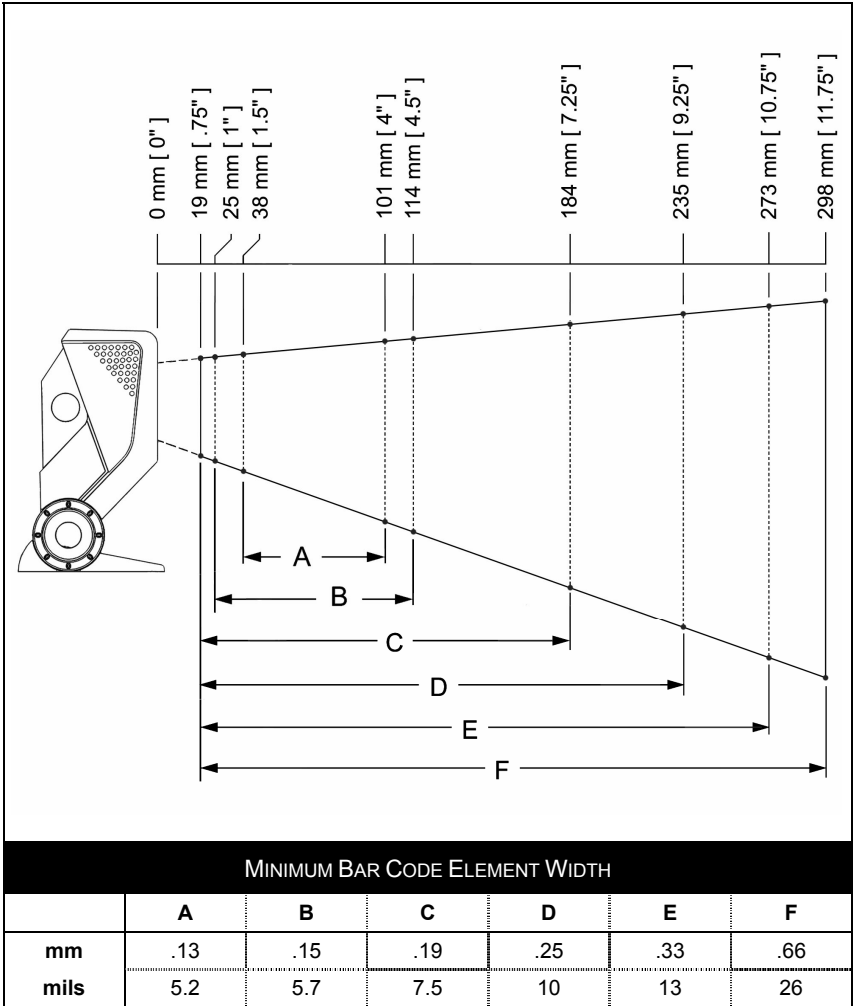


Figure 16. Normal Scan Zone by Bar Code Element Width

* All specifications are subject to change without notice.

Depth of Field by Bar Code Element Width*

Reduced Scan Zone

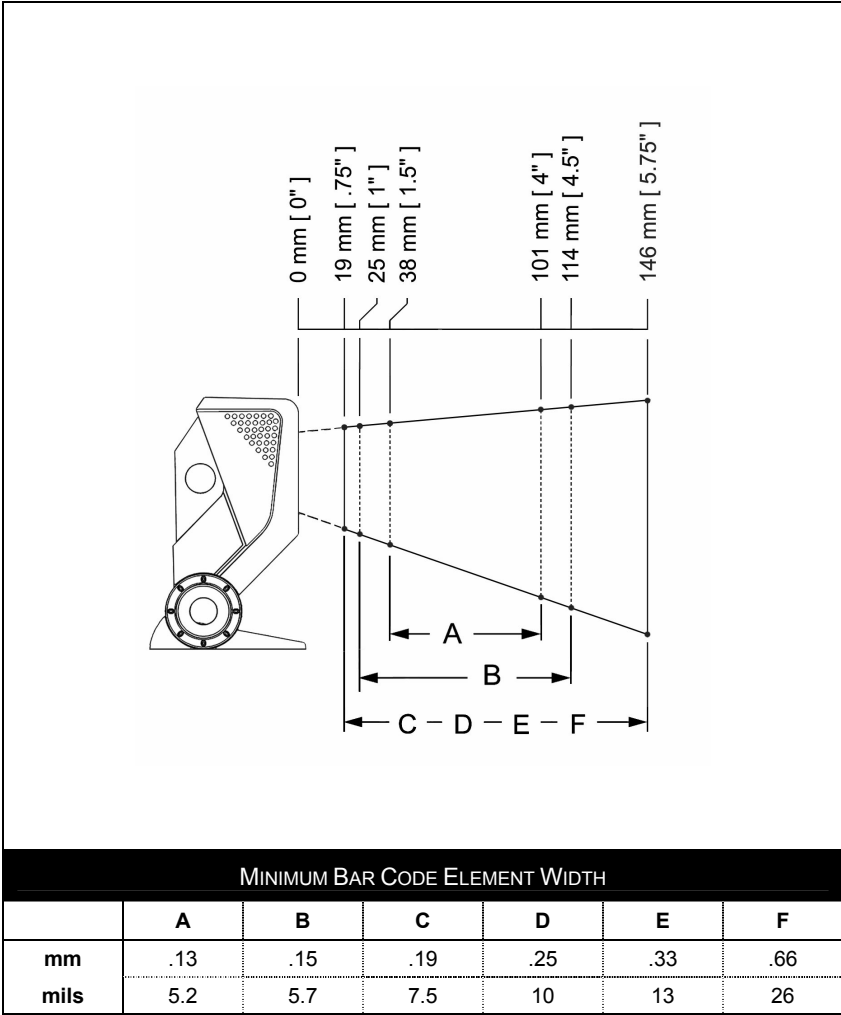


Figure 17. Reduced Scan Zone by Bar Code Element Width

* All specifications are subject to change without notice.

IR Activation Range*

QuantumT's default power save mode[†] is *Laser OFF*. This power save mode turns the laser off after a configured period of non-use. Any movement detected by the IR in the activation area will cause the scanner to exit power save mode. The laser will automatically turn back on preparing the scanner for bar code recognition, decoding and transmission.

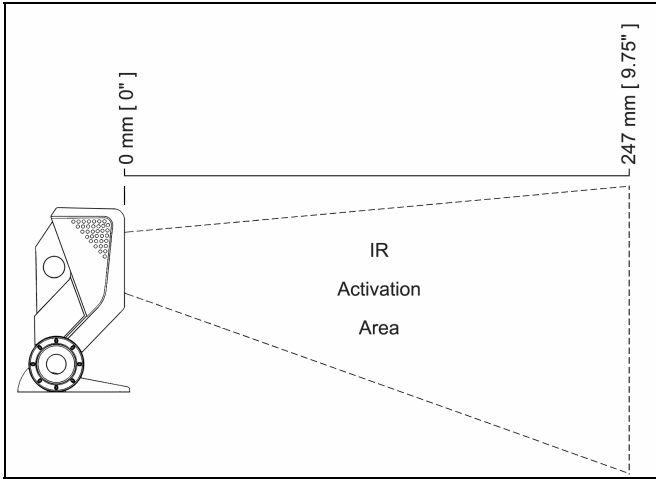


Figure 18. Normal IR Activation Range

* All specifications are subject to change without notice.

† Refer to the MetroSelect Configuration Guide (00-02407) for additional information on configurable power save modes.

TROUBLESHOOTING GUIDE

The following guide is for reference purposes only. Contact a Metrologic representative at 1-800-ID-METRO or 1-800-436-3876 to preserve the limited warranty terms on page 46.

Symptoms	Possible Cause(s)	Solution
<i>All Interfaces</i>		
The unit has no LEDs, beeper or motor spin.	No power is being supplied to the scanner.	Check the transformer, outlet and power strip. Make sure the cable is plugged into the scanner.
The unit has no LEDs and / or beeper.	No power is being supplied to the scanner from host.	Some host systems cannot supply enough current to power the MS3580. Use the power supply included with the scanner.
There are multiple scans upon presentation of code.	The same symbol timeout is set too short.	Adjust the same symbol timeout for a longer time increment.
The unit powers up but does not beep.	The beeper is disabled.	Enable the beeper.
	No tone is selected.	Select a tone.
The unit powers up but does not scan and/or beep.	The unit is trying to scan a particular symbology that is not enabled.	UPC/EAN, Code 39, Interleaved 2 of 5, Code 93, Code 128 and Codabar are enabled by default. Verify that the type of bar code being read has been selected
	The scanner has been configured for a character length lock, or a minimum length and bar code being scanned does not satisfy the configured criteria.	Verify that the bar code that is being scanned falls into the criteria. <i>Typical of Non-UPC/EAN codes. The scanner defaults to a minimum of 4 character bar code.</i>

TROUBLESHOOTING GUIDE

Symptoms	Possible Cause(s)	Solution
<i>All Interfaces</i>		
The unit scans a bar code, but locks up after the first scan (<i>the white LED stays on</i>).	The scanner is configured to support some form of host handshaking but is not receiving the signal.	If the scanner is setup to support ACK/NAK, RTS/CTS, XON/XOFF or D/E, verify that the host cable and host are supporting the handshaking properly.
The unit scans but the data transmitted to the host is incorrect.	The scanner's data format does not match the host system requirements.	Verify that the scanner's data format matches the format required by the host. Make sure that the scanner is connected to the proper host port.
Scanner beeps at some bar codes and NOT for others of the same bar code symbology.	The print quality of the bar code is suspect.	The type of printer and/or the printer settings could be the problem.
	The aspect ratio of the bar code is out of tolerance.	Check the print mode or change the printer settings. For example, change to econo mode or high speed.
	The bar code may have been printed incorrectly.	Check if it is a check digit, character or border problem.
	The scanner is not configured correctly for the type of bar code.	Check if check digits are set properly.
	The minimum symbol length setting does not work with the bar code.	Check if the correct minimum symbol length is set.

TROUBLESHOOTING GUIDE

Symptoms	Possible Cause(s)	Solution
<i>All Interfaces</i>		
During power up the unit beeps 3 times.	There is a non-volatile RAM failure.	Contact a Metrologic service representative.
During power up the unit razzes continuously.	There is a RAM or ROM failure.	Contact a Metrologic service representative.
During power up the unit razzes once and the blue LED flashes.	There is a VLD failure.	Contact a Metrologic service representative.
During power up the unit razzes twice and both LEDs flash.	There is a scanner motor failure.	Contact a Metrologic service representative.
<i>RS232 Only</i>		
The unit powers up OK and scans OK but does not communicate properly to the host.	The com port at the host is not working or is not configured properly.	Check to make sure that the baud rate and parity of the scanner and the communication port match and that the program is looking for RS232 data.
	The cable is not connected to the proper com port.	
	The com port is not operating properly.	

TROUBLESHOOTING GUIDE

Symptoms	Possible Cause(s)	Solution
<i>RS232 Only</i>		
The host is receiving data but the data does not look correct.	The scanner and host may not be configured for the same interface.	Check that the scanner and the host are configured for the same interface.
Characters are being dropped.	The intercharacter delay needs to be added to the transmitted output.	Add some intercharacter delay to the transmitted output by using the MetroSelect Configuration Guide (MLPN 00-02407).
<i>Keyboard Wedge Only</i>		
The unit scans the bar code but there is no data.	The unit may not be configured correctly.	Make sure the scanner is configured for the appropriate mode.
The unit scans but the data is not correct.	The unit may not be configured correctly.	Make sure that the proper PC type (ie. AT, PS2 or XT) is selected.
		Verify correct country code and data formatting are selected. Adjust the intercharacter delay.
The unit is not transmitting each character.	The unit may not be configured correctly.	Increase the interscan code delay setting. Adjust whether the F0 break is transmitted. It may be necessary to try both settings.
Alpha characters show as lower case.	The computer is in caps lock mode.	Enable <i>caps lock detect</i> setting of the scanner to detect whether the PC is operating in caps lock.
Everything works except for a couple of characters.	These characters may not be supported by the current country's key look up table.	Try operating the scanner in <i>Alt Mode</i> .

DESIGN SPECIFICATIONS

		MS3580	
Operational			
Light Source:	V isible L aser D iode (VLD) @ 650 nm		
Laser Power:	1.1 mW		
Normal Depth of Field:	19 mm - 273 mm (.75" - 10.75")	0.33 mm (13 mil) bar code	
Reduced Depth of Field:	19 mm - 146 mm (.75" - 5.75")		
<i>Omni Scan</i>			
Scan Speed:	1650 scan lines per second		
No. of Scan Lines:	20		
<i>Single-Line</i>			
Scan Speed:	80 scan lines per second		
No. of Scan Lines:	1		
<i>Raster</i>			
Scan Speed:	320 scan lines per second		
No. of Scan Lines:	4		
Motor Speed:	5000 RPM		
Min Bar Width:	0.127 mm (5.0 mil)		
Decode Capability:	All standard 1-D bar codes including RSS-14, RSS-Expanded, and RSS-14 Limited		
System Interfaces:	RS232, Keyboard Wedge, Stand-Alone Keyboard, Light Pen Emulation, IBM468x/469x, USB (low speed and full speed), Laser Emulation, RS232 TTL, OCIA		
Print Contrast:	35% minimum reflectance difference		
No. Characters Read:	Up to 80 data characters Maximum number will vary based on symbology and density.		
Beeper Operation:	7 tones or no beep		
Indicators (LED):	Blue = laser on, ready to scan		
	White = good read, decoding		

Specifications subject to change without notice.

DESIGN SPECIFICATIONS

MS3580	
Mechanical	
Width:	63 mm (2.48")
Depth:	50 mm (1.97")
Height:	68 mm (2.68")
Weight:	6 oz (170 g)
Electrical	
Voltage Supply:	5VDC \pm 0.25V
Operating Power:	1.375 W
Standby Power:	1.0 W
Operating Current:	275 mA typical at 5VDC
Standby Current:	230 mA typical at 5VDC
DC Transformers:	Class II; 5.2VDC @ 1 A
<i>For regulatory compliance information, see pages 44 - 46</i>	
Environmental	
Operating Temperature:	-20°C to 40°C (-4°F to 104°F)
Storage Temperature:	-40°C to 60°C (-40°F to 140°F)
Humidity:	5% to 95% relative humidity, non-condensing
Contaminants:	Sealed to resist airborne particulate contaminants
Ventilation:	None required

Specifications subject to change without notice.

APPLICATIONS AND PROTOCOLS

The model number on each scanner includes the scanner number and factory default communications protocol.

SCANNER	VERSION IDENTIFIER	COMMUNICATION PROTOCOL(S)
MS3580	9	OCIA and RS232 Transmit/Receive
	11	IBM 46XX and Full RS232C
	38	RS232 Low Speed USB, Keyboard Emulation or Serial Emulation
	40	Full-Speed USB
	41	Full RS232C/Light Pen Emulation
	47	Keyboard Wedge, Stand-Alone Keyboard and RS232 Transmit/Receive
	104	RS232, <u>T</u> ransistor - <u>T</u> ransistor <u>L</u> ogic (TTL), Laser Emulation

The MS3580 scanner with built-in PC Keyboard Wedge Interface is designed to be used for keyboard emulation only. Many RS232 configurable functions (e.g. formatting) available in other Metrologic scanners are also available as keyboard wedge functions.

The following are the most important selectable options specific to the keyboard wedge.

Keyboard Type

- ** AT (includes IBM® PS2 models 50, 55, 60, 80)
- XT
- IBM PS2 (includes models 30, 70, 8556)

Keyboard Country Type

- USA **
- Belgium
- French
- German
- Italian
- Japan
- Spanish
- Swiss
- United Kingdom

** Default setting. For a complete list of default settings, see *Default Settings - Communication Parameters* starting on page 34 of this guide. Refer to the MetroSelect® Configuration Guide (MLPN 00-02407) or MetroSet2's help files for information on how to change the default settings.

DEFAULT SETTINGS - COMMUNICATION PARAMETERS

Many functions of the scanner can be "configured" - that is enabled or disabled. The scanner is shipped from the factory configured to a set of default conditions. The default parameter of the scanner has an asterisk (*) in the charts on the following pages. If an asterisk is not in the default column then the default setting is Off or Disabled. Every interface does not support every parameter. If the interface supports a parameter listed in the charts on the following pages, a check mark (✓) will appear.

PARAMETER	DEFAULT	OCIA	USB	RS232* OR RS232 TTL	LIGHT PEN	IBM 46XX	KBW	LASER EMULATION
UPC/EAN	*	✓	✓	✓	✓	✓	✓	✓
Code 128	*	✓	✓	✓	✓	✓	✓	✓
Code 93	*	✓	✓	✓	✓	✓	✓	✓
Codabar	*	✓	✓	✓	✓	✓	✓	✓
Interleaved 2 of 5 (ITF)	*	✓	✓	✓	✓	✓	✓	✓
MOD 10 Check on ITF		✓	✓	✓	✓	✓	✓	✓
Code 11		✓	✓	✓	✓	✓	✓	✓
Code 39	*	✓	✓	✓	✓	✓	✓	✓
Full ASCII Code 39		✓	✓	✓	✓	✓	✓	✓
MOD 43 Check on Code 39		✓	✓	✓	✓	✓	✓	✓
MSI-Plessey		✓	✓	✓	✓	✓	✓	✓
MSI-Plessey 10/10 Check Digit		✓	✓	✓	✓	✓	✓	✓
MSI-Plessey MOD 10 Check Digit		✓	✓	✓	✓	✓	✓	✓
Paraf Support		✓	✓	✓	✓	✓	✓	✓
ITF Symbol Lengths	Variable	✓	✓	✓	✓	✓	✓	✓
Minimum Symbol Length	4	✓	✓	✓	✓	✓	✓	✓
Symbol Length Lock	None	✓	✓	✓	✓	✓	✓	✓
RSS14 Enable		✓	✓	✓	✓	✓	✓	✓
RSS14 ID "e0"	*	✓	✓	✓	✓	✓	✓	✓
RSS14 App ID "01"	*	✓	✓	✓	✓	✓	✓	✓
RSS14 Check Digit	*	✓	✓	✓	✓	✓	✓	✓
RSS Expanded Enable		✓	✓	✓	✓	✓	✓	✓

DEFAULT SETTINGS - COMMUNICATION PARAMETERS

PARAMETER	DEFAULT	OCIA	USB	RS232* OR RS232 TTL	LIGHT PEN	IBM 46XX	KBW	LASER EMULATION
Expanded ID "je0"	*	✓	✓	✓	✓	✓	✓	✓
RSS Limited Enable		✓	✓	✓	✓	✓	✓	✓
RSS Limited ID "je0"	*	✓	✓	✓	✓	✓	✓	✓
RSS Limited App ID "01"	*	✓	✓	✓	✓	✓	✓	✓
RSS Limited Check Digit	*	✓	✓	✓	✓	✓	✓	✓
Bars High as Code 39	*				✓			✓
Spaces High as Code 39					✓			✓
Bars High as Scanned					✓			✓
Spaces High as Scanned					✓			✓
DTS/SIEMENS		✓						
DTS/NIXDORF	*	✓						
NCR F		✓						
NCR S		✓						
Poll Light Pen Source					✓			
Beeper Tone	Normal	✓	✓	✓	✓	✓	✓	✓
Beep/Transmit Sequence	Before Transmit	✓	✓	✓	✓	✓	✓	✓
Communication Timeout	None	✓	✓	✓	✓	✓	✓	✓
Razzberry Tone on Timeout		✓	✓	✓	✓	✓	✓	✓
Three Beeps on Timeout		✓	✓	✓	✓	✓	✓	✓
No Beeps on Timeout	*	✓	✓	✓	✓	✓	✓	✓
Enter Power Save Mode	5 mins.	✓	✓	✓	✓	✓	✓	✓
Same Symbol Rescan Timeout: 500 msec Configurable in 50 msec steps (MAX 6.35 seconds)	*	✓	✓	✓	✓	✓	✓	✓
Intercharacter Delay Configurable in 1 msec steps (MAX 255 msec)	1 msec 10 msec in KBW	✓	✓	✓		✓	✓	
Number of Scan Buffers	1	✓	✓	✓	✓	✓	✓	✓

DEFAULT SETTINGS - COMMUNICATION PARAMETERS

PARAMETER	DEFAULT	OCIA	USB	RS232* OR RS232 TTL	LIGHT PEN	IBM 46XX	KBW	LASER EMULATION
Transmit UPC-A Check Digit	*	✓	✓	✓	✓	✓	✓	✓
Transmit UPC-E Check Digit			✓	✓	✓	✓	✓	✓
Expand UPC-E		✓	✓	✓	✓	✓	✓	✓
Convert UPC-A to EAN-13		✓	✓	✓		✓	✓	
Transmit Lead Zero on UPC-E		✓	✓	✓	✓	✓	✓	✓
Convert EAN-8 to EAN-13		✓	✓	✓		✓	✓	
Transmit UPC-A Number System	*	✓	✓	✓	✓	✓	✓	✓
Transmit UPC-A Manufacturer ID#	*	✓	✓	✓	✓	✓	✓	✓
Transmit UPC-A Item ID#	*	✓	✓	✓	✓	✓	✓	✓
Transmit Codabar Start/Stop Characters		✓	✓	✓		✓	✓	
CLSI Editing (Enable)		✓	✓	✓		✓	✓	
Transmit Mod 43 Check Digit on Code 39		✓	✓	✓		✓	✓	
Transmit Code 39 Stop/Start Characters		✓	✓	✓		✓	✓	
Transmit Mod 10/ITF		✓	✓	✓		✓	✓	
Transmit MSI-Plessey Check Characters		✓	✓	✓		✓	✓	
Parity	Space			✓				
Baud Rate	9600			✓				
8 Data Bits				✓				
7 Data Bits	*			✓				
Stop Bits	2			✓				
Transmit Sanyo ID Characters			✓	✓			✓	

DEFAULT SETTINGS - COMMUNICATION PARAMETERS

PARAMETER	DEFAULT	OCIA	USB	RS232* OR RS232 TTL	LIGHT PEN	IBM 46XX	KBW	LASER EMULATION
Supplements are not Required	*	✓	✓	✓	✓	✓	✓	✓
Two Digit Redundancy	*	✓	✓	✓	✓	✓	✓	✓
Five Digit Redundancy		✓	✓	✓	✓	✓	✓	✓
100 msec to Find Supplement Configurable in 100msec steps (MAX 800 msec)	*	✓	✓	✓	✓	✓	✓	✓
Coupon Code 128		✓	✓	✓	as code 39	✓	✓	as code 39
Configurable Code Lengths	7 avail.	✓	✓	✓	✓	✓	✓	✓
Configurable Prefix Characters	10 avail.		✓	✓			✓	
Configurable Suffix Characters	10 avail.		✓	✓			✓	
Prefixes for individual Code Types			✓	✓			✓	
Editing		✓	✓	✓	✓	✓	✓	✓
Inter Scan-Code Delay Configurable (100 µsec steps)	800 µsec						✓	
Function/Control Key Support							✓	
Configurable in 5.6 µsec steps	1 msec				✓			✓
Normal Depth of Field	*	✓	✓	✓	✓	✓	✓	✓
Reduced Depth of Field		✓	✓	✓	✓	✓	✓	✓

DEFAULT SETTINGS - COMMUNICATION PARAMETERS

PARAMETER	DEFAULT	OCIA	USB	RS232* OR RS232 TTL	LIGHT PEN	IBM 46XX	KBW	LASER EMULATION
Supplements are not Required	*	✓	✓	✓	✓	✓	✓	✓
Two Digit Redundancy	*	✓	✓	✓	✓	✓	✓	✓
Five Digit Redundancy		✓	✓	✓	✓	✓	✓	✓
100 msec to Find Supplement Programmable in 100msec steps (MAX 800 msec)	*	✓	✓	✓	✓	✓	✓	✓
Coupon Code 128		✓	✓	✓	as code 39	✓	✓	as code 39
Programmable Code Lengths	7 avail.	✓	✓	✓	✓	✓	✓	✓
Programmable Prefix Characters	10 avail.		✓	✓			✓	
Programmable Suffix Characters	10 avail.		✓	✓			✓	
Prefixes for individual Code Types			✓	✓			✓	
Editing		✓	✓	✓	✓	✓	✓	✓
Inter Scan-Code Delay Programmable (100 µsec steps)	800 µsec						✓	
Function/Control Key Support							✓	
Minimum Element Width Programmable in 5.6 µsec steps	1 msec				✓			✓
Normal Depth of Field	*	✓	✓	✓	✓	✓	✓	✓
Reduced Depth of Field		✓	✓	✓	✓	✓	✓	✓

UPGRADING THE FLASH ROM FIRMWARE

The MetroSet2 program is a functional component of Metrologic's new line of Flash- based scanners. This program allows the user of a Metrologic scanner to quickly upgrade to a new or custom version of firmware. It requires the use of a personal computer running Windows 95 or greater and the use of a serial port. The user merely connects the scanner to a serial port on the PC, launches the MetroSet2 program, and blasts off to new software upgrades.

Each MS3580, regardless of the version number or communication protocol, can be upgraded. All RS232 (-41); keyboard wedge (-47); light pen (-41); OCIA (-9); IBM 468X/469X (-11); low speed USB (-38); integrated full speed USB (-40); and RS232 TTL, Laser Emulation (-104) units can be upgraded. To upgrade all units, a power supply and a PowerLink cable (MLPN 54-54014) are required.



RS232 units can be upgraded using the standard PowerLink cable (MLPN 54-54000x-3).

The program guides the user with its simplistic one click approach. The user must first select the file. Once the file is selected and verified, the scanner is ready to be upgraded. Press the "Flash Scanner" button to upgrade the scanner. The unit will go into a "flash mode" – both the blue and white LEDs will be on. The user can follow the progress of the upgrade by watching the screen for details. When the upgrade is complete, the scanner will respond with its normal one beep on power up. If two beeps occur, the scanner did not upgrade properly. Contact a Metrologic service representative for additional assistance.

Scanner Pinout Connections

The MS3580 scanner interfaces terminate to a 10-pin modular socket. The serial # label indicates the interface enabled when the scanner is shipped from the factory.

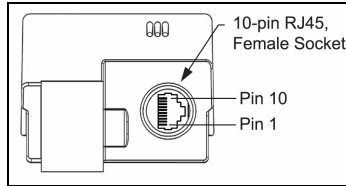


Figure 19. Bottom View of MS3580 (Stand Removed)

MS3580-47 Keyboard Wedge and Stand-Alone Keyboard	
Pin	Function
1	Ground
2	RS232 Transmit Output
3	RS232 Receive Input
4	PC Data
5	PC Clock
6	KB Clock
7	PC +5V
8	KB Data
9	+5VDC
10	Shield Ground

MS3580-41 RS232C and Light Pen Emulation	
Pin	Function
1	Ground
2	RS232 Transmit Output
3	RS232 Receive Input
4	RTS Output
5	CTS Input
6	DTR Input/LTPN Source
7	Reserved
8	LTPN Data
9	+5VDC
10	Shield Ground

MS3580-40 Full Speed USB	
Pin	Function
1	Ground
2	RS232 Transmit Output
3	RS232 Receive Input
4	RTS Output
5	CTS Input
6	USB D+
7	V USB
8	USB D-
9	+5VDC
10	Shield Ground

MS3580-38 RS232 Low Speed USB	
Pin	Function
1	Ground
2	RS232 Transmit Output
3	RS232 Receive Input
4	RTS Output
5	CTS Input
6	D+
7	V USB
8	D-
9	+5VDC
10	Shield Ground

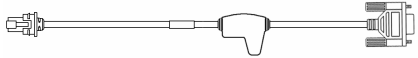
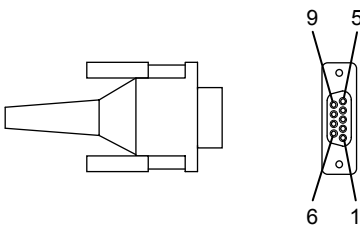
SCANNER AND CABLE TERMINATIONS

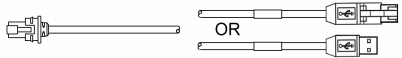
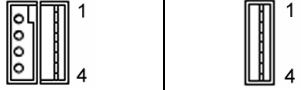
MS3580-11 IBM 468X/469X	
Pin	Function
1	Ground
2	RS232 Transmit Output
3	RS232 Receive Input
4	RTS Output
5	CTS Input
6	DTR Input
7	IBM B-Transmit
8	IBM A+ Receive
9	+5VDC
10	Shield Ground

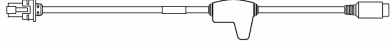
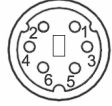
MS3580-9 OCIA	
Pin	Function
1	Ground
2	RS232 Transmit Output
3	RS232 Receive Input
4	RDATA
5	RDATA Return
6	Clock In
7	Clock Out
8	Clock in Return/ Clock out Rtrn
9	+5VDC
10	Shield Ground

MS3580-104 RS232 TTL, Laser Emulation	
Pin	Function
1	Ground
2	RS232 Transmit Output
3	RS232 Receive Input
4	RTS Output (TTL RS232) / Flip Sense
5	CTS Input (TTL RS232) / Trigger Emulation Output
6	DTR Input (TTL RS232) / Scan Enable
7	Receive (TTL RS232) / Good Read
8	Transmit (TTL RS232) / Scan Data
9	+5VDC
10	Shield Ground



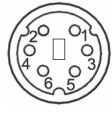
Cable Connector Configurations (Host End)

<p>“Standard” PowerLink Cable MLPN 54-54000.x-3 <i>straight</i></p>			
Pin	Function	 <p>9-Pin D-Type Connector</p>	
1	Shield Ground		
2	RS232 Transmit Output		
3	RS232 Receive Input		
4	DTR Input/Light Pen Source		
5	Power/Signal Ground		
6	Light Pen Data		
7	CTS Input		
8	RTS Output		
9	+5VDC		

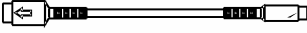
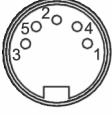
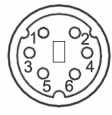
<p>USB Power/Communication Cable MLPN 54-54213.x-N-3, 54-54214.x-N-3 or 54-54235.x-N-3</p>			
Pin	Function	 <p>USB Type A Locking with Power USB Non-Locking</p>	
1	PC +5V/V_USB		
2	D-		
3	D+		
4	Ground		
Shield	Shield		

<p>Stand Alone Keyboard PowerLink Cable MLPN 54-54020.x-3</p>			
Pin	Function	 <p>6-Pin Male Mini-DIN Connector</p>	
1	PC Data		
2	No Connect		
3	Power Ground		
4	+5VDC PC Power to KB		
5	PC Clock		
6	No Connect		

Cable Connector Configurations (Host End)

Keyboard Wedge PowerLink Cable <i>54-54002x-3</i>		
Pin	Function	 <p>5-Pin DIN, Female</p>
1	Keyboard Clock	
2	Keyboard Data	
3	No Connect	
4	Power Ground	
5	+5 Volts DC	 <p>6-Pin DIN, Male</p>
Pin	Function	
1	PC Data	
2	No Connect	
3	Power Ground	
4	+5 Volts DC	
5	PC Clock	
6	No Connect	

Metrologic will supply an adapter cable with a 5-pin DIN male connector on one end and a 6-pin mini DIN female connector on the other. According to the termination required, connect the appropriate end of the adapter cable to the PowerLink cable, leaving the necessary termination exposed for connecting to the keyboard and the keyboard port on the PC.

Keyboard Wedge Adapter Cable		
Pin	Function	 <p>5-Pin DIN, Male</p>
1	PC Clock	
2	PC Data	
3	No Connect	
4	Power Ground	
5	+5 Volts DC	 <p>6-pin Mini DIN, Female</p>
Pin	Function	
1	Keyboard Data	
2	No Connect	
3	Power Ground	
4	+5 Volts DC	
5	Keyboard Clock	
6	No Connect	

Safety

ITE Equipment

IEC 60950-1, EN 60950-1

Laser

Laser Class 1: IEC 60825-1:1993+A1+A2,
EN 60825-1:1994+A1+A2



Caution

Use of controls or adjustments or performance of procedures other than those specified herein may result in hazardous laser light exposure. Under no circumstances should the customer attempt to service the laser scanner. Never attempt to look at the laser beam, even if the scanner appears to be nonfunctional. Never open the scanner in an attempt to look into the device. Doing so could result in hazardous laser light exposure. The use of optical instruments with the laser equipment will increase eye hazard.

Atención

La modificación de los procedimientos, o la utilización de controles o ajustes distintos de los especificados aquí, pueden provocar una luz de láser peligrosa. Bajo ninguna circunstancia el usuario deberá realizar el mantenimiento del láser del escáner. Ni intentar mirar al haz del láser incluso cuando este no esté operativo. Tampoco deberá abrir el escáner para examinar el aparato. El hacerlo puede conllevar una exposición peligrosa a la luz de láser. El uso de instrumentos ópticos con el equipo láser puede incrementar el riesgo para la vista.

Attention

L'emploi de commandes, réglages ou procédés autres que ceux décrits ici peut entraîner de graves irradiations. Le client ne doit en aucun cas essayer d'entretenir lui-même le scanner ou le laser. Ne regardez jamais directement le rayon laser, même si vous croyez que le scanner est inactif. N'ouvrez jamais le scanner pour regarder dans l'appareil. Ce faisant, vous vous exposez à une rayonnement laser qui est dangereux. L'emploi d'appareils optiques avec cet équipement laser augmente le risque d'endommagement de la vision.

Achtung

Die Verwendung anderer als der hier beschriebenen Steuerungen, Einstellungen oder Verfahren kann eine gefährliche Laserstrahlung hervorrufen. Der Kunde sollte unter keinen Umständen versuchen, den Laser-Scanner selbst zu warten. Sehen Sie niemals in den Laserstrahl, selbst wenn Sie glauben, daß der Scanner nicht aktiv ist. Öffnen Sie niemals den Scanner, um in das Gerät hineinzusehen. Wenn Sie dies tun, können Sie sich einer gefährlichen Laserstrahlung aussetzen. Der Einsatz optischer Geräte mit dieser Laserausrüstung erhöht das Risiko einer Sehschädigung.

Attenzione

L'utilizzo di sistemi di controllo, di regolazioni o di procedimenti diversi da quelli descritti nel presente Manuale può provocare delle esposizioni a raggi laser rischiose. Il cliente non deve assolutamente tentare di riparare egli stesso lo scanner laser. Non guardate mai il raggio laser, anche se credete che lo scanner non sia attivo. Non aprite mai lo scanner per guardare dentro l'apparecchio. Facendolo potete esporvi ad una esposizione laser rischiosa. L'uso di apparecchi ottici, equipaggiati con raggi laser, aumenta il rischio di danni alla vista.

EMC

Emissions

FCC Part 15, ICES-003, CISPR 22, EN 55022

Immunity

CISPR 24, EN 55024

Class A Devices

Unintentional Radiators

The following is applicable when the scanner cable **is greater** in length than 3 meters (9.8 feet) when fully extended:

Les instructions ci-dessous s'appliquent aux câbles de scanner dépassant 3 mètres (9.8 pieds) de long en extension maximale:

Folgendes trifft zu, wenn das Scannerkabel länger als 3 Meter ist:

This equipment has been tested and found to comply with limits for a Class A digital device, pursuant to part 15 of the FCC Rules. These limits are designed to provide reasonable protection against harmful interference when the equipment is operated in a commercial environment. This equipment generates, uses and can radiate radio frequency energy and, if not installed and used in accordance with the instruction manual, may cause harmful interference to radio communications. Operation of this equipment in a residential area is likely to cause harmful interference, in which case the user will be required to correct the interference at their own expense. Any unauthorized changes or modifications to this equipment could void the user's authority to operate this device.

This device complies with part 15 of the FCC Rules. Operation is subject to the following two conditions: (1) This device may not cause harmful interference, and (2) this device must accept any interference received, including interference that may cause undesired operation.

Notice

This Class A digital apparatus complies with Canadian ICES-003.

Remarque

Cet appareil numérique de classe A est conforme à la norme canadienne NMB-003.

European Standard

Warning

This is a class A product. In a domestic environment this product may cause radio interference in which case the user may be required to take adequate measures.

Funkstöreigenschaften nach EN55022:1998

Warnung!

Dies ist eine Einrichtung der Klasse A. Diese Einrichtung kann im Wohnbereich Funkstörungen verursachen. In diesem Fall kann vom Betreiber verlangt werden, angemessene Massnahmen durchzuführen.

Standard Europeo

Attenzione

Questo e' un prodotto di classe A. Se usato in vicinanza di residenze private potrebbe causare interferenze radio che potrebbero richiedere all'utilizzatore opportune misure.

Attention

Ce produit est de classe "A". Dans un environnement domestique, ce produit peut être la cause d'interférences radio. Dans ce cas l'utilisateur peut être amené à prendre les mesures adéquates.

EMC

Class B Devices

Unintentional Radiators

The following is applicable when the scanner cable is less than 3 meters (9.8 feet) in length when fully extended:

Les instructions ci-dessous s'appliquent aux câbles de scanner ne dépassant pas 3 mètres (9.8 pieds) de long en extension maximale:

Folgendes trifft zu, wenn das Scannerkabel kürzer als 3 Meter ist:

This device complies with Part 15 of the FCC Rules. Operation is subject to the following two conditions: (1) This device may not cause harmful interference, and (2) this device must accept any interference received, including interference that may cause undesired operation.

This equipment has been tested and found to comply with the limits for a Class B digital device, pursuant to Part 15 of the FCC rules. These limits are designed to provide reasonable protection against harmful interference in a residential installation. This equipment generates, uses and can radiate radio frequency energy and, if not installed and used in accordance with the instructions, may cause harmful interference to radio communications. However, there is no guarantee that interference will not occur in a particular installation. If this equipment does cause harmful interference to radio or television reception, which can be determined by turning the equipment off and on, the user is encouraged to try to correct the interference by one or more of the following measures:

- Reorient or relocate the receiving antenna
- Increase the separation between the equipment and receiver
- Connect the equipment into an outlet on a circuit different from that to which the receiver is connected
- Consult the dealer or an experienced radio/TV technician for help

Notice

This Class B digital apparatus complies with Canadian ICES-003.

Remarque

Cet appareil numérique de classe B est conforme à la norme canadienne NMB-003.

LIMITED WARRANTY

The MS3580 Quantum7[®] scanners are manufactured by Metrologic at its Blackwood, New Jersey, U.S.A. facility. The MS3580 Quantum7 scanners have a three (3) year limited warranty from the date of manufacture. Metrologic warrants and represents that all MS3580 Quantum7 scanners are free of all defects in material, workmanship and design, and have been produced and labeled in compliance with all applicable U.S. Federal, state and local laws, regulations and ordinances pertaining to their production and labeling.

This warranty is limited to repair, replacement of product or refund of product price at the sole discretion of Metrologic. Faulty equipment must be returned to one of the following Metrologic repair facilities: Blackwood, New Jersey, USA; Madrid, Spain; or Suzhou, China. To do this, contact the appropriate Metrologic Customer Service/Repair Department to obtain a Returned Material Authorization (RMA) number.

In the event that it is determined the equipment failure is covered under this warranty, Metrologic shall, at its sole option, repair the Product or replace the Product with a functionally equivalent unit and return such repaired or replaced Product without charge for service or return freight, whether distributor, dealer/reseller, or retail consumer, or refund an amount equal to the original purchase price.

This limited warranty does not extend to any Product which, in the sole judgment of Metrologic, has been subjected to abuse, misuse, neglect, improper installation, or accident, nor any damage due to use or misuse produced from integration of the Product into any mechanical, electrical or computer system. The warranty is void if the case of Product is opened by anyone other than Metrologic's repair department or authorized repair centers.

THIS LIMITED WARRANTY, EXCEPT AS TO TITLE, IS IN LIEU OF ALL OTHER WARRANTIES OR GUARANTEES, EITHER EXPRESS OR IMPLIED, AND SPECIFICALLY EXCLUDES, WITHOUT LIMITATION, WARRANTIES OF MERCHANTABILITY AND FITNESS FOR A PARTICULAR PURPOSE UNDER THE UNIFORM COMMERCIAL CODE, OR ARISING OUT OF CUSTOM OR CONDUCT. THE RIGHTS AND REMEDIES PROVIDED HEREIN ARE EXCLUSIVE AND IN LIEU OF ANY OTHER RIGHTS OR REMEDIES. IN NO EVENT SHALL METROLOGIC BE LIABLE FOR ANY INDIRECT OR CONSEQUENTIAL DAMAGES, INCIDENTAL DAMAGES, DAMAGES TO PERSON OR PROPERTY, OR EFFECT ON BUSINESS OR PROPERTY, OR OTHER DAMAGES OR EXPENSES DUE DIRECTLY OR INDIRECTLY TO THE PRODUCT, EXCEPT AS STATED IN THIS WARRANTY. IN NO EVENT SHALL ANY LIABILITY OF METROLOGIC EXCEED THE ACTUAL AMOUNT PAID TO METROLOGIC FOR THE PRODUCT. METROLOGIC RESERVES THE RIGHT TO MAKE ANY CHANGES TO THE PRODUCT DESCRIBED HEREIN.

CORPORATE HEADQUARTERS, NORTH AMERICA

Metrologic Instruments, Inc.
90 Coles Rd.
Blackwood, NJ 08012-4683
Customer Service Department
Tel: 1-800-ID-METRO
Fax: 856-228-6673
Email: info@metrologic.com

METROLOGIC EUROPEAN REPAIR CENTER (MERC)

Metrologic Eria Ibérica, SL
C/Alfonso Gomez, 38-40, 1D
28037 Madrid
Tel: +34 913 751 249
Fax: +34 913 270 437

MTLG AUTO ID INSTRUMENTS (SHANGHAI) Co., LTD

Suzhou Sales Office
BLK A, Room# 03/03-04
No.5 Xinghan Street, Xinsu Industrial Square
China-Singapore Suahou Industrial Park, Suzhou, PRC
Tel: 86-512-67622550
Fax: 86-512-67622560
Email: info@cn.metrologic.com

PATENTS

Patent Information

This METROLOGIC product may be covered by, but is not limit to, one or more of the following U.S. Patents:

U.S. Patent No.;

5,216,232; 5,260,553; 5,340,971; 5,424,525; 5,484,992; 5,525,789;
5,528,024; 5,557,093; 5,616,908; 5,627,359; 5,637,852; 5,661,292;
5,777,315; 5,789,730; 5,789,731; 5,811,780; 5,828,048; 5,844,227;
5,925,870; 6,029,894; 6,098,885; 6,209,789; 6,257,492; 6,286,760;
6,299,067; 6,347,743; 6,412,696; 6,460,767; 6,604,684; 6,857,572;
6,860,427

No license right or sublicense is granted, either expressly or by implication, estoppel, or otherwise, under any METROLOGIC or third party intellectual property rights (whether or not such third party rights are licensed to METROLOGIC), including any third party patent listed above, except for an implied license only for the normal intended use of the specific equipment, circuits, and devices represented by or contained in the METROLOGIC products that are physically transferred to the user, and only to the extent of METROLOGIC'S license rights and subject to any conditions, covenants and restrictions therein.

Other worldwide patents pending.

INDEX

A

AC 2, 8–12
Accessories 2, 3
Adapter 10
Audible Indicator. 13, 19–21, 27–30,
39

B

Bar Code 19–21, 27–30, 31
Bar Width 31
Beep 19, 20, 21, 27–30, 39
Blue LED 19–21, 27–30, 39
Button 4, 13–18

C

Cable
 Communication... 2, 8–12, 27–30,
 39, 42–43
 Keyboard Wedge 42–43
 Pin Assignments 42–43
 PowerLink .. 2, 5, 8–12, 39, 42–43
 Troubleshooting 27–30
 USB 42–43
caution 44
Caution 5, 8–12
class 46
CodeGate 1, 13–18
Communication 20, 27–30, 33
 Parameters 34–38
compliance 44, 45
Compliance 8–12
Components 2, 4
Configuration 19, 21
 Default 34–38
Current 32
Customer Service 47, 50

D

DC 2, 32
Default Settings ... 13, 14, 33, 34–38
Depth of Field
 Normal 22, 24, 31, 38
 Reduced 23, 24, 25, 31, 38

E

EMC 45

EMI 45
emissions 45

F

Failure
 Modes 21
Firmware 39
Flash ROM 1, 39

H

Host 27–30

I

IBM 9, 34–38
immunity 45
Indicator
 Audible . 4, 13, 19–21, 27–30, 31,
 39
 Failure 21
 Visual ... 4, 19–21, 27–30, 31, 39
Interface 31
 IBM 1, 9, 34–38
 Keyboard Wedge1, 10, 30, 34–38
 Laser Emulation 1, 8, 34–38
 Light Pen 1, 8, 34–38
 OCIA 1, 9, 34–38
 RS232 1, 8, 29, 30, 34–38
 RS232 TTL 1, 8, 33
 Stand-Alone Keyboard 1, 11
 Troubleshooting 27–30
 USB 1, 12, 34–38
IR 26

K

Keyboard Country Type 33
Keyboard Type 33
Keyboard Wedge 10, 30, 34–38

L

Label
 Caution 5
 Serial Number 5
laser 44
Laser Aperture 4
Laser Emulation 8, 34–38
LED 19–21

INDEX

Light Pen 8, 34–38
Light Source 31

M

Maintenance 5
Manual 2, 19, 33
MetroSet2 39
Mode of Operation
 Button 18
 Primary 13–18
 Secondary 13–18
 Sweet Spot Mode 38
Motor Speed 31
Mounting Specifications 5

N

notices 46

O

OCIA 9, 34–38
Omnidirectional 13–18
operation 46

P

Patents 48
PC 33, 43
Pin Assignments
 Cable 42–43
 Scanner 40–41
Port 8–12, 27–30
Power 2, 8–12, 39
PowerLink 8–12
Property 48
Protocol 33

R

RAM 29
Raster 13–18
Razzberry Tone 19–21, 29
Repair 21
Replacement Parts 3
RMA 47
ROM 29
RS232 8, 29, 30, 34–38
RS232 TTL 8, 33

S

safety 44, 46
Scan Lines 31
Scan Pattern 1, 31
 Horizontal Raster 13
 Omnidirectional 13–18
 Primary 13–18
 Secondary 13–18
 Single-Line 13–18
Scan Speed 31
SELV 8–12
Single-Line 13–18
Specification
 Electrical 32
 Environmental 32
 Mechanical 32
 Operational 31
Stand-Alone Keyboard 11
Storage 32
Sweet Spot Mode 38

T

Tone 19
Tones 1
Transformer 2, 32
Troubleshooting 27–30

U

Upgrade 39
USB 12, 34–38

V

Ventilation 32
Visual Indicator ... 19–21, 27–30, 39
 Blue LED 4, 19–21, 27–30
 White LED 4, 19–21, 27–30
 Yellow LED 4, 19–21, 27–30
Voltage 8–12, 32
Volume 19

W

Warranty 47
Weight 31
White LED 19–21, 27–30, 39
Window 4

Worldwide Headquarters

Metrologic Instruments, Inc.

90 Coles Road Blackwood, NJ 08012-4683

Email: info@metrologic.com • Tel: 856-228-8100

Fax: 856-228-6673 (Sales) • Fax: 856-228-1879 (Marketing) • Fax: 856-228-0653 (Legal/Finance)

Metrologic Companies

Adaptive Optics Associates (AOA)

Tel: 617-806-1400
Fax: 617-806-1899
Email: info@aoinc.com

Omniplanar

Tel: 856.537.6100
Fax: 856.537.6116
Email: info@omniplanar.com

Metrologic - The Americas

Headquarters

Tel: 1.856.537.6400
Fax: 1.856.537.6474
Email: info@us.metrologic.com

Metrologic Canada

Tel: 416.752.7190
Fax: 416.752.8060
Email: info@ca.metrologic.com

Metrologic do Brasil Ltda.

Tel: 55.11.5182.7273
Fax: 55.11.5182.7198
Email: info@sa.metrologic.com

Metrologic Mexico, S.A. DE C.V.

Tel: 55.5365.6247
Fax: 55.5362.2544
Email: info@mx.metrologic.com

Metrologic South America

Tel: 239.642.1958
Fax: 239.642.1959
Email: info@sa.metrologic.com

Metrologic - USA

Tel: 1.856.537.6400
Fax: 1.856.537.6474
Email: info@us.metrologic.com

Metrologic - EMEA

Headquarters

Tel: 49-89-89019-0
Fax: 49-89-89019-200
Email: info@europe.metrologic.com

Metrologic Eria France SA

Tel: +33 (0) 1 48.63.78.78
Fax: +33 (0) 1 48.63.24.94
Email: info@fr.metrologic.com

Metrologic Eria Iberica, SL

Tel: +34 913 272 400
Fax: +34 913 273 829
Email: info@es.metrologic.com

Metrologic Russia

Tel: +7 095 730 7424
Fax: +7 095 730 7425
Email: info@ru.metrologic.com

Metrologic Instruments GmbH

Tel: 49-89-89019-0
Fax: 49-89-89019-200
Email: info@europe.metrologic.com

Metrologic Instruments Italia

Tel: +39 0 57 6511978 or +39 051 651 1978
Fax: +39 0 51 6521337
Email: info@it.metrologic.com

Metrologic Instruments

Poland

Tel: +48 (22) 545 04 30
Fax: +48 (22) 545 04 31
Email: info@pl.metrologic.com

Metrologic Instruments

UK Limited

Tel: +44 (0) 1256 365900
Fax: +44 (0) 1256 365955
Email: info@uk.metrologic.com

Metrologic - APAC

Headquarters

Tel.: (65) 6842-7155
Fax : (65) 6842-7166
Email: info@sg.metrologic.com

Beijing Sales Office

Tel/Fax: 86 10 82253472
Email: info@cn.metrologic.com

Chengdu Sales Office

Tel/Fax: 86 28 86200109
Email: info@cn.metrologic.com

Guangzhou Sales Office

Tel: 86-20-38823476
Fax: 86-20-38823477
Email: info@cn.metrologic.com

India Sales Office

Tel: +91 80 51256718
Fax: +91 80 51256719
Email: info@in.metrologic.com

Korea Sales Office

Tel: 82-2-6205-5379
Fax: 82-2-3444-3980
Email: Scott.lee@kr.metrologic.com

Metrologic Asia (Pte) Ltd

Tel : (65) 6842-7155
Fax : (65) 6842-7166
Email: info@sg.metrologic.com

Metrologic Japan Co., Ltd.

Tel: 81-3-3839-8511
Fax: 81-3-3839-8519
Email: info@jp.metrologic.com

Metrologic Thailand

Tel: 661-814-2352
Email: tawan.jandang@th.metrologic.com

MTLG Auto ID Instruments

(Shanghai) Co.,Ltd
Tel: 86-21-58692780
Fax: 86-21-58692782
Email: info@cn.metrologic.com

Suzhou Sales Office

Tel: 86-512-67622550
Fax: 86-512-67622560
Email: info@cn.metrologic.com

Taiwan Sales Office

Tel: 886-2-2351 0125
Email: john.cheng@tw.metrologic.com

NOTES

NOTES





November 2006

Printed in the USA



00 - 05090D