

# QUANTUM<sup>T</sup>™ FLEX STAND INSTALLATION GUIDE FOR KITS 46-00288 AND 46-00289

October 2005  
Printed in the USA



## Components Required for Flex Stand Installation

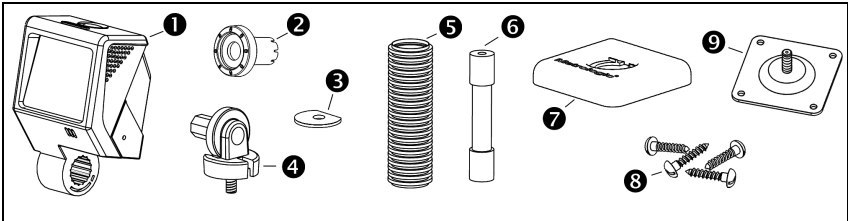


Figure 1. Components

- |     |   |        |
|-----|---|--------|
| 1.  | MS3580, Quantum <sup>T</sup> .....          | Qty. 1 |
| 2.  | Pivot Cylinder .....                        | Qty. 1 |
| 3.  | Bearing Plate .....                         | Qty. 1 |
| 4.  | Pole Mount Adapter .....                    | Qty. 1 |
| 5.  | Flexible Shaft Cover* .....                 | Qty. 1 |
| 6.  | Flexible Shaft* .....                       | Qty. 1 |
| 7.  | Base Plate Cover .....                      | Qty. 1 |
| 8.  | #8 x 1.00" Wood Screw .....                 | Qty. 4 |
| 9.  | Base Plate .....                            | Qty. 1 |
| 10. | Communication/Power Cable (Not Shown) ..... | Qty. 1 |

* Length of the Flexible Shaft and Shaft Cover are Kit Dependent	
Kit Number	Length of Flexible Shaft and Flexible Shaft Cover
46-00288	3 inches
46-00289	6 inches

## Base Plate Installation

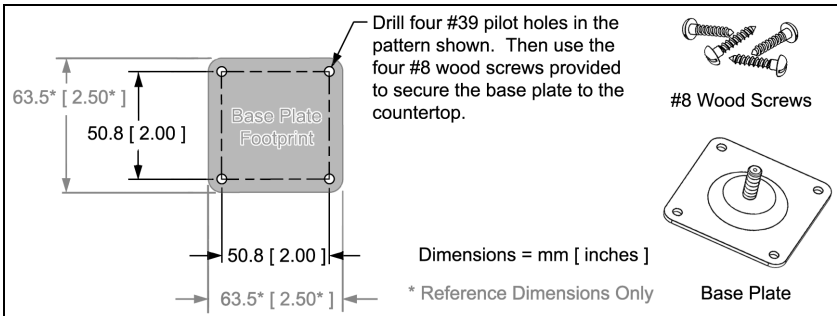


Figure 2. Specifications for Securing the Base Plate

# QUANTUM7™ FLEX STAND INSTALLATION GUIDE FOR KITS 46-00288 AND 46-00289

## Flex Stand Assembly

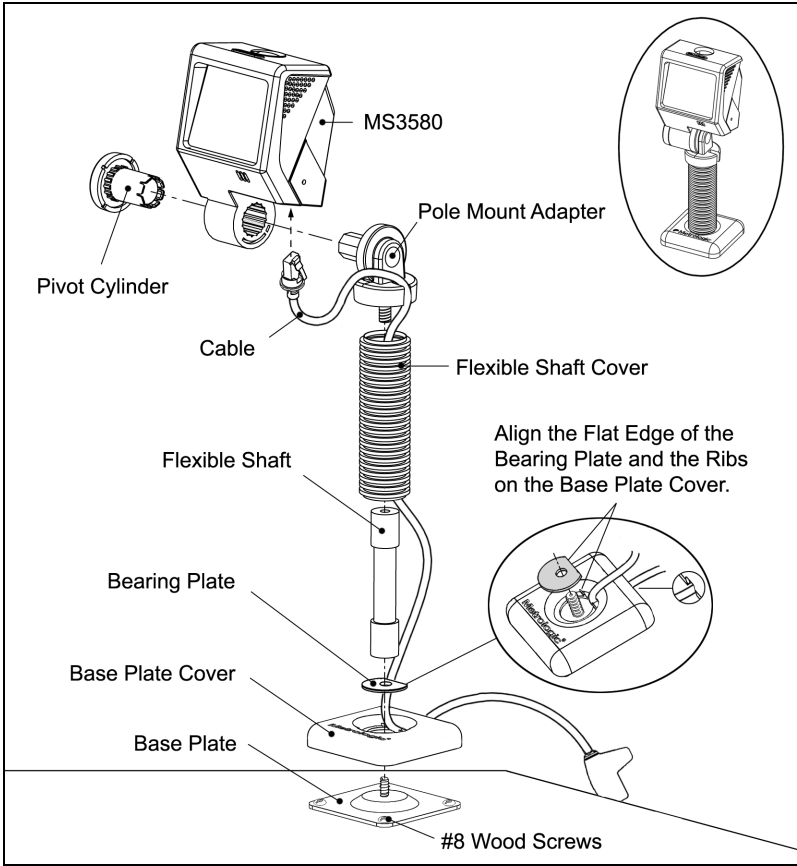


Figure 3. Flex Stand Assembly for Kits 46-00288 and 46-00289



We really work for you.™

[www.metrologic.com](http://www.metrologic.com)

**ISO 9001:2000**

Metrologic Instruments, Inc. | **Worldwide Headquarters**

90 Coles Road | Blackwood, NJ 08012-4683 | [info@metrologic.com](mailto:info@metrologic.com)

Telephone 856-228-8100 | Fax 856-228-6673

Asian Headquarters

Tel. 65.6842.7155

[info@sg.metrologic.com](mailto:info@sg.metrologic.com)

European Headquarters

Tel. 49.89.89019.0

[info@eu.metrologic.com](mailto:info@eu.metrologic.com)

The Americas Headquarters

Tel. 1.800.ID.METRO

[info@us.metrologic.com](mailto:info@us.metrologic.com)

QUANTUM<sup>TM</sup> FLEX STAND INSTALLATION GUIDE  
 FOR KITS 46-00291 AND 46-00292

**Components Required for Flex Stand Installation**

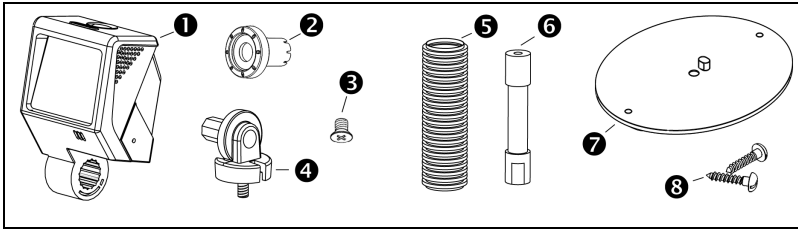


Figure 1. Components

- |    |   |        |
|----|---|--------|
| 1. | MS3580, Quantum <sup>T</sup> .....                      | Qty. 1 |
| 2. | Pivot Cylinder .....                                    | Qty. 1 |
| 3. | 1/4" – 20 x 3/8" Flat Head Phillips, 100° Undercut..... | Qty. 1 |
| 4. | Pole Mount Adapter .....                                | Qty. 1 |
| 5. | Flexible Shaft Cover* .....                             | Qty. 1 |
| 6. | Flexible Shaft* .....                                   | Qty. 1 |
| 7. | Stand Base .....  | Qty. 1 |
| 8. | #8 x 1.00" Wood Screw .....                             | Qty. 2 |
| 9. | Communication/Power Cable ( <i>Not Shown</i> ) .....    | Qty. 1 |

* Length of the Flexible Shaft and Shaft Cover are Kit Dependent	
Kit Number	Length of Flexible Shaft and Flexible Shaft Cover
46-00291	3 inches
46-00292	6 inches

**Base Plate Installation**

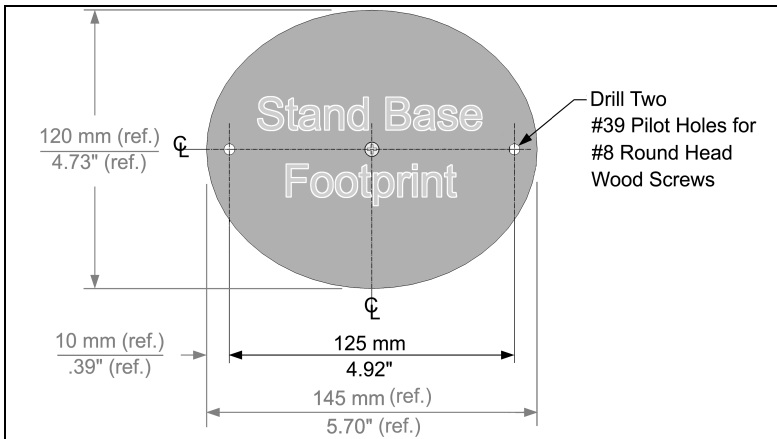


Figure 2. Specifications for Securing the Base Plate

# QUANTUM7™ FLEX STAND INSTALLATION GUIDE FOR KITS 46-00291 AND 46-00292

## Flex Stand Assembly

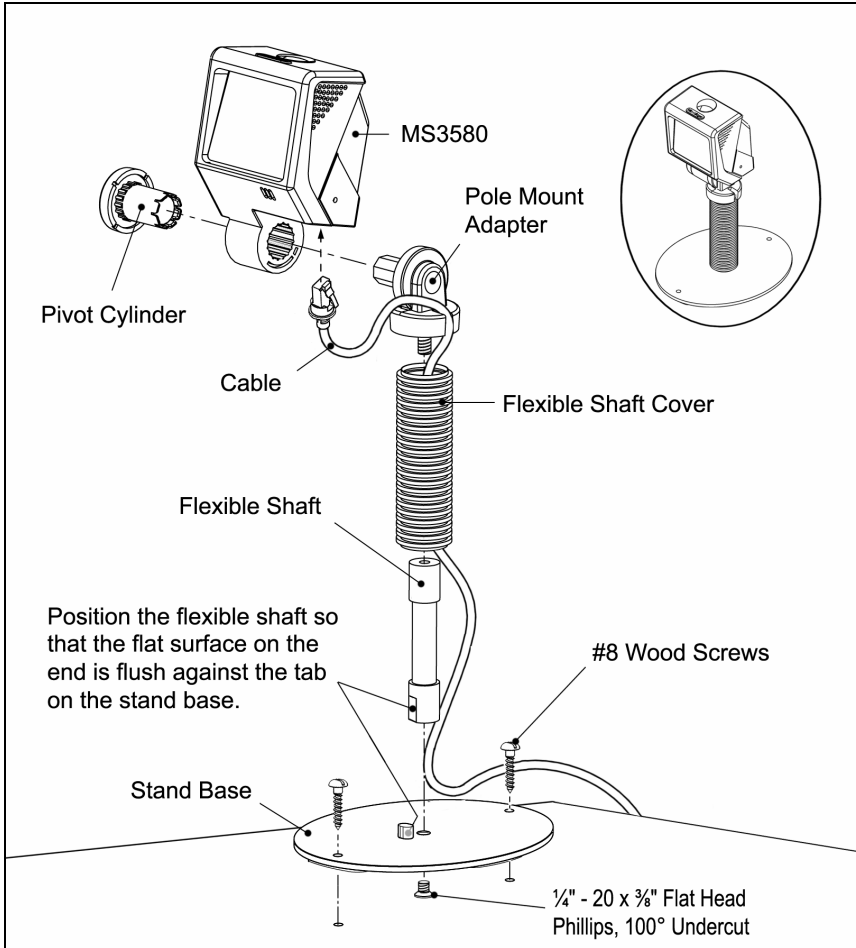


Figure 3. Flex Stand Assembly for Kits 46-00291 and 46-00292



www.metrologic.com

**ISO 9001:2000**

Metrologic Instruments, Inc. | **Worldwide Headquarters**

90 Coles Road | Blackwood, NJ 08012-4683 | info@metrologic.com  
Telephone 856-228-8100 | Fax 856-228-6673

Asian Headquarters  
Tel. 65.6842.7155  
info@sg.metrologic.com

European Headquarters  
Tel. 49.89.89019.0  
info@eu.metrologic.com

The Americas Headquarters  
Tel. 1.800.ID.METRO  
info@us.metrologic.com