

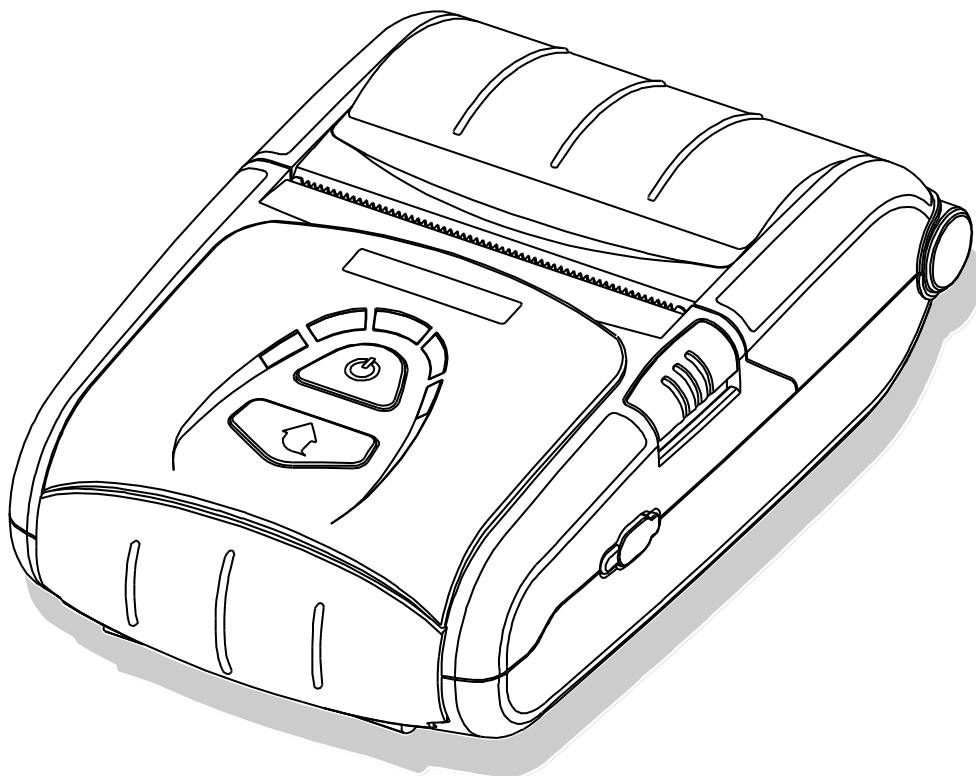
**BIXOLON®**

**User's Manual**

**SPP-R200II**

**Mobile Printer**

**Rev. 1.02**



<http://www.bixolon.com>

**■ Table of Contents**

<b>※ Manual Information &amp; Usage Precautions .....</b>	<b>3</b>
<b>1. Content Confirmation .....</b>	<b>10</b>
<b>2. Product Part Names.....</b>	<b>11</b>
<b>3. Installation &amp; Usage.....</b>	<b>12</b>
3-1 Battery Installation .....	12
3-2 Battery Charging.....	12
3-2-1 Battery Charging Usage .....	12
3-2-2 Battery Cradle (Optional) Usage.....	13
3-2-3 Cigarette Lighter Jack Charger (Optional) Usage.....	13
3-2-4 Using Single Cradle (Optional) .....	14
3-2-5 Using Quad Charger / Quad Cradle (Optional).....	14
3-3 Paper Installation .....	16
3-4 Using Belt Strap.....	17
3-5 Using Belt Clip (Optional) .....	18
3-6 Using Case (Optional) .....	19
3-7 Protective Case (Optional) Usage .....	20
3-8 Using Vehicle Holder (Optional).....	21
3-9 Control Panel Usage.....	22
3-10 MSR Usage .....	23
<b>4. Self-Test.....</b>	<b>23</b>
<b>5. Label Printing Function.....</b>	<b>26</b>
5-1 Label Function Setting .....	26
5-2 Auto Calibration Function .....	26
<b>6. Peripherals Connection.....</b>	<b>27</b>
6-1 Bluetooth & Wireless LAN Connection .....	27
6-2 Interface Cable Connection .....	27
<b>7. Printer Cleaning .....</b>	<b>28</b>
<b>8. Appendix.....</b>	<b>29</b>
8-1 Specifications.....	29
8-2 Certification.....	30
8-3 Label Types .....	31

## ■ Manual Information

This user's manual contains basic information for product usage as well as for emergency measures that may be required.

※ The following separate manuals provide more detailed content on various technological issues and areas.

### 1. Windows CE Module Program Manual

This manual provides information on the dll files required for Windows CE application program development.

### 2. Windows Driver Manual

This manual provides information on installation and main functions of the Windows Driver for this product.

### 3. Unified Utility Manual

This manual provides information on the software used to select functions of this product, modify operation conditions, etc.

- VMSM (Virtual Memory Switch Manager)  
: As a function that sets the basic operation conditions of the product, the use of non-hardware control, software-based virtual switches is explained.
- NV Image Download Manager  
: The downloading of image files, such as logos, intended for repetitive printing is explained.
- Firmware Download Manager  
: The downloading and installation of the latest Firmware, which is subject to ongoing modification for the enhancement of product performance, are explained.

### 4. Bluetooth & Wireless Manual

- Bluetooth  
: This manual describes how to connect terminals (PDAs, PCs, etc.) with Bluetooth functionality.
- Wireless LAN  
: This manual describes how to connect wireless LAN in infrastructure or ad-hoc mode.

### 5. Commands Manual

This manual provides information on the protocol and functions of the control commands that can be used with this product.

### 6. Code Pages Manual

This manual provides information on each character code page that can be used with this product.

We at BIXOLON maintain ongoing efforts to enhance and upgrade the functions and quality of all our products. In following, product specifications and/or user manual content may be changed without prior notice.

## ■ Safety Precautions

In using the present appliance, please keep the following safety regulations in order to prevent any hazard or material damage.



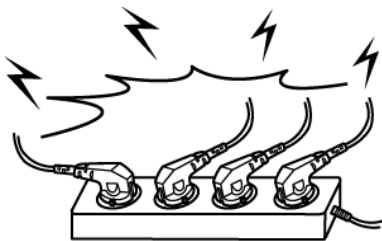
### WARNING

Violating following instructions can cause serious injury or death.

#### Do not plug several products in one multi-outlet.

- This can provoke over-heating and a fire.
- If the plug is wet or dirty, dry or wipe it before usage.
- If the plug does not fit perfectly with the outlet, do not plug in.
- Be sure to use only standardized multi-outlets.

PROHIBIT



#### You must use only the supplied adapter.

- It is dangerous to use other adapters.

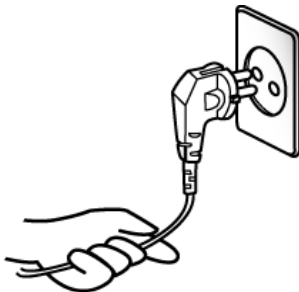
PROHIBIT



#### Do not pull the cable to unplug.

- This can damage the cable, which is the origin of a fire or a breakdown of the printer.

PROHIBIT



#### Keep the plastic bag out of children's reach.

- If not, a child may put the bag on his head.

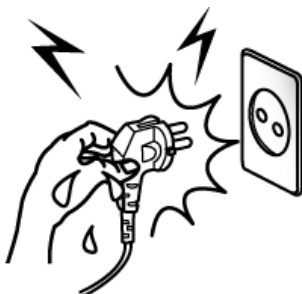
PROHIBIT



#### Do not plug in or unplug with your hands wet.

- You can be electrocuted.

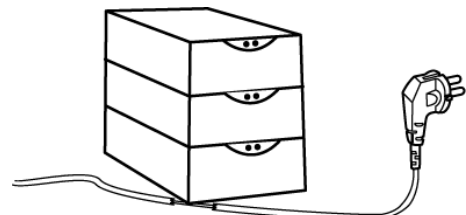
PROHIBIT



#### Do not bend the cable by force or leave it under any heavy object.

- A damaged cable can cause a fire.

PROHIBIT





**CAUTION**

Violating following instructions can cause slight wound or damage the appliance.

**If you observe a strange smoke, odor or noise from the printer, unplug it before taking following measures.**

- Switch off the printer and unplug the set from the mains.
- After the disappearance of the smoke, call your dealer to repair it.

**TO UNPLUG**



**Keep the desiccant out of children's reach.**

- If not, they may eat it.

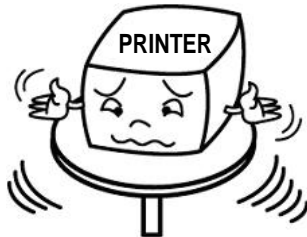
**PROHIBIT**



**Install the printer on the stable surface.**

- If the printer falls down, it can be broken and you can hurt yourself.

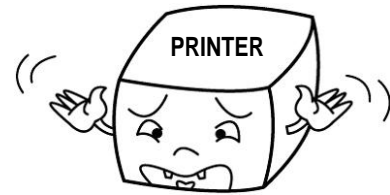
**PROHIBIT**



**Use only approved accessories and do not try to disassemble, repair or remodel it for yourself.**

- Call your dealer when you need these services.
- Do not touch the blade of auto cutter.

**DISASSEMBLING PROHIBITED**



**Do not let water or other foreign objects in the printer.**

- If this happened, switch off and unplug the printer before calling your dealer.

**PROHIBIT**



**Do not use the printer when it is out of order. This can cause a fire or an electrocution.**

- Switch off and unplug the printer before calling your dealer.

**TO UNPLUG**



## ■ Battery Safety Precautions

**Make sure to review the user manual carefully prior to product use.**

Neglecting to heed the following instructions can result in battery overheating, combustion, explosion, damage and/or decline in performance and product life.

### **⚠ Danger**

1. Do not allow water, seawater or moisture to enter or leak into the battery. If the safety mechanism within the battery becomes oxidized, the battery may overcharge with abnormal electrical current and/or voltage so that it may overheat, ignite and/or explode.
2. Do not place the battery near open flames or heating devices, such as stoves. Exposure to excessive heat may cause damage to the resin case and/or insulating materials, thus causing a short circuit within the battery that may result in battery overheating, combustion, and/or explosion.
3. Charge the battery only with the exclusive charger specified (optionally provided) by BIXOLON. The use of an incorrect charger may result in overheating, combustion and/or explosion of the battery.
4. Charging the battery with a modified charger may result in overheating, combustion and/or explosion of the battery by abnormal chemical reaction caused by incorrect polarity.
5. Do not directly connect the battery to an electrical power outlet not specified by BIXOLON or an automobile's cigarette lighter jack. Doing so may result in overheating, combustion and/or explosion of the battery by over-current and/or over-voltage.
6. Do not heat the battery or place it near a fire. Doing so may melt insulation materials, damage the safety mechanism/equipment, and/or ignite the electrolytic solution. There is a potential risk of battery overheating, combustion, and/or explosion.
7. Do not reverse the connection of (+) and (-) electrodes of the battery. Charging the battery in reverse polarity may produce an undesired chemical reaction inside the battery cell, causing unexpected behavior during discharging such as overheating, explosion, or fire.
8. Do not allow the battery's (+) or (-) pole to come into contact with any metal. In addition, do not carry or store the battery with metallic items, such as necklaces and hairpins. Doing so may cause a short circuit of the battery generating an over-current. There is the potential risk to overheat, ignite and/or explode the battery or overheat the metallic items, such as necklaces, hair pins etc.
9. Do not throw the battery or subject it to strong shock. If the safety mechanism in the battery is damaged, the battery may be overcharged and, consequently, an adverse chemical reaction may be generated in the battery. There is a potential risk of battery overheating, combustion, and/or explosion.

10. Do not pierce the battery with a pointed object, such as nail or awl, or strike with a heavy object, such as a hammer, and take care not to step on the battery. There is a potential risk of battery overheating, combustion, and/or explosion caused by an internal short circuit.
11. Do not solder the battery directly. Doing so may melt the insulating materials and/or damage the safety mechanism or safety equipment, resulting in battery overheating, combustion, and/or explosion.
12. Do not disassemble and/or modify the battery. The battery contains safety equipment and a safety mechanism to prevent danger. There is a potential risk of overheating, combustion, and/or explosion caused by disassembly.
13. Do not charge the battery near open flames and/or under direct sunlight. Because exposure to high temperatures triggers the operation of the safety mechanism, the battery may not charge or may overcharge due to destruction of the safety mechanism. There is a potential risk of overheating, combustion, and/or explosion.
14. Do not expose the battery to high temperatures over 60 °C, and do not use or store it in a hot or humid place.
15. Do not use the battery if it is damaged or the exterior is deformed due to external shock or if it is swollen.

### **Warning**

1. Do not place the battery within the reach of small children to prevent any swallowing accidents. If a small child has swallowed the battery, consult a physician immediately.
2. Do not place the battery in a microwave oven and/or high voltage appliance. Doing so can cause rapid overheating and/or destruction of the sealing, resulting in battery overheating, combustion, and/or explosion.
3. Do not combine and use any battery of different capacity and/or type with the primary battery. Doing so can cause excessive electrical discharge during use or excessive charging during charging, resulting in an abnormal chemical reaction within the battery that can cause battery overheating, combustion, and/or explosion.
4. If during battery usage, storage, or charging, a strange odor or conditions differing from the normal, such as overheating, color changes, warping, etc., are detected, remove the battery from the product or charger and discontinue use. Continued use may cause battery overheating, combustion, and/or explosion.
5. When recharging, if the battery is not charged after the normal fixed charging time, discontinue charging. Continued charging can result in battery overheating, combustion, and/or explosion.
6. If the battery appears to be coated with condensation or emits a strange odor, immediately place it far away from any heat source. The condensation may be caused by a leak of electrolytic solution that can ignite to cause battery combustion and/or explosion.
7. If the battery is leaking electrolytic solution and any of the solution enters the eyes, immediately wash out with clean water, and then consult a physician to receive treatment. Neglecting to do so can cause permanent eye injuries.

**⚠ Caution**

1. Do not use or leave the battery in a location exposed to high temperatures or intense direct sunlight, such as within an automobile. Doing so can cause battery overheating and/or combustion. In addition, battery performance and product life may be reduced.
2. The battery contains a safety mechanism to prevent danger. Do not use the battery in a location that is prone to static electricity (above the amount covered by the manufacturer's product warranty) that can cause damage to this safety mechanism. Damage to the safety mechanism can result in battery overheating, combustion, and/or explosion.
3. The temperature ranges for battery usage are as follows. Any usage outside of these ranges can result in battery overheating and/or damage. In addition, battery performance and product life may be reduced.
  - Charging: 0 ~ 40 °C
  - Product Usage: -20 ~ 60 °C
  - Storage: -20 ~ 60 °C (30 days)
  - Long-Term Storage: -20 ~ 40 °C (90 days)
4. Please review the exclusive charger manual carefully for charging instructions.
5. If you observe any abnormal symptom, such as strange smell and overheating, on first use after purchasing the product, contact your local dealer immediately.
6. If a child must use the battery, the child's parent or legal guardian should clearly explain the instructions from the user manual prior to use. In addition, the parent or legal guardian should periodically confirm that usage is being conducted in accordance with user manual instruction during use.
7. Store the battery in a location that is out of the reach of small children. During usage, make sure to also place the charger and/or product out of the reach of small children.
8. If the battery is leaking electrolytic solution, and the solution comes in contact with the skin or clothing, immediately wash thoroughly with clean water. Contact with skin can result in skin disorders.
9. Make sure to review the user manual and precautions carefully prior to use. In addition, after carefully reviewing the user manual and precautions, place them in a secure location for future reference when needed.
10. There is a risk of explosion when replacing with an incorrect battery. Only exchange it for another one of the same or equivalent model specified by BIXOLON. Insulate the used battery by attaching insulation tape to its port, and then dispose of the battery according to local regulations.
11. If using the printed side of preprinted paper, this may cause malfunction.



## **⚠ Recommended**

1. Review the user manual for instructions concerning insertion/removal of batteries into/from the product.
2. The battery shipped with the product is partially charged, and it is good for checking the operation of the equipment. Charge the battery first with the supplied charger if the equipment does not work or long hours of operation are required.
3. To avoid improper use of the battery, review the product user manual carefully.
4. Do not charge the battery for long times in excess of the normal charging time indicated in the user manual.
5. If the battery is not to be used for a long period of time, remove it from the product and store in a location with low humidity. If the battery is stored while still inserted in the product in a highly humid location, oxidization may occur along with a decline in battery performance.
6. Turn off the power after using the equipment. Otherwise the performance of the battery will be degraded over time.
7. The battery may fail to charge if it is not used for a long period of time. Charge the battery with the supplied charger at least once every six months if the equipment is not used for a long time. Leaving the battery for a long time without charging may degrade the performance of the battery or cause system trouble.
8. If the battery terminal is contaminated, clean the contact with a dry cloth before using it. Using the battery with contaminated contacts may cause problems when supplying power to the equipment or charging due to irregular electric contact.
9. Each battery has a life cycle. If the usage time of the produce is shortened, replace with a new battery. Insulate the used battery by attaching insulation tape to its port, and then dispose of the battery according to local regulations.

## **■ Other Precautions**

The copyright for this user manual and various other manuals is property of the BIXOLON Co., Ltd. Any copying or conversion into electronic form and saving of this material without the express written permission of BIXOLON Co., Ltd. is strictly prohibited.

Use of the information contained in this manual is not subject to any patent liability. This manual has been prepared with utmost care and attention to detail but may contain certain errors and/or omissions.

BIXOLON Co., Ltd. is not legally liable for any damages resulting from the use of the information in this manual.

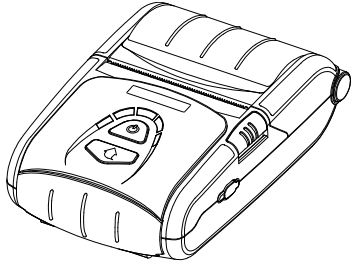
BIXOLON Co., Ltd. and its affiliates are not legally liable (United States excluded) for any damages, loss, costs, and/or expenses that result from the breakdown, malfunction, and/or misuse of the product due to violation or neglect of the operation and maintenance information and instructions provided by the BIXOLON Co., Ltd., as well as from the unauthorized alteration, repair, and/or modification of the product by the user and/or third party.

BIXOLON Co., Ltd. is not legally liable for any damages and/or issues resulting from the use of options and/or parts that are not authentic BIXOLON products or authorized products.

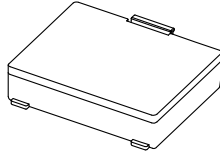
# 1. Content Confirmation

The following items should all be contained in the printer package. Contact the dealer from which the purchase was made if any item is damaged and/or missing.

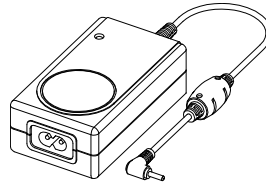
## ※ Basic items



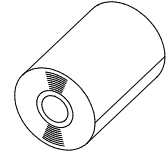
**SPP-R200II**



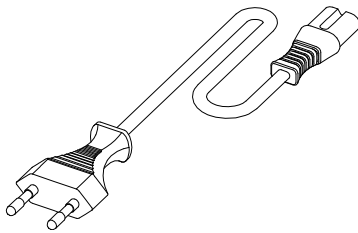
**Battery**



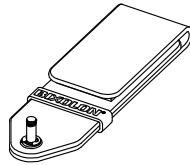
**Battery Charger**



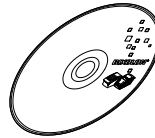
**Paper**



**Power Cord**



**Belt Strap**

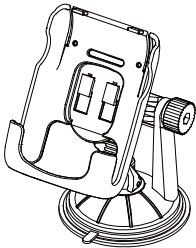


**CD**

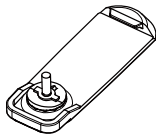


**User Manual**

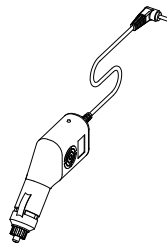
## ※ Optional items



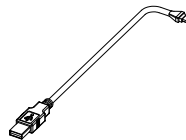
**Vehicle Holder**



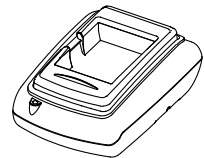
**Belt Clip**



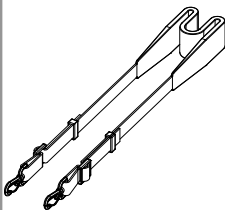
**Cigarette Lighter Jack Charger**



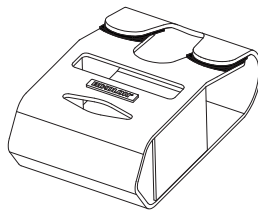
**Interface Cable**



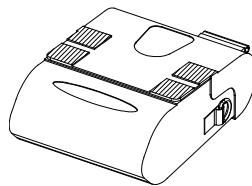
**Battery Cradle**



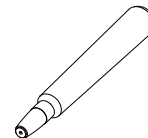
**Shoulder Strap**



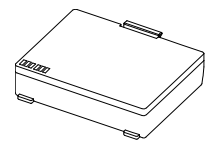
**Case**



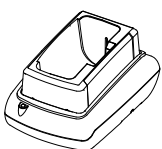
**Protective Case**



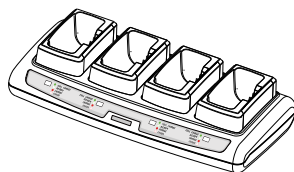
**Cleaning Pen**



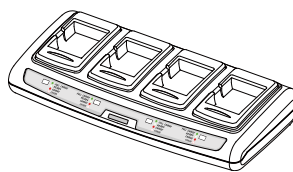
**Battery  
(With external  
power contacts)  
For Cradle**



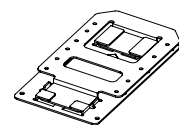
**Single Cradle**



**Quad Cradle**



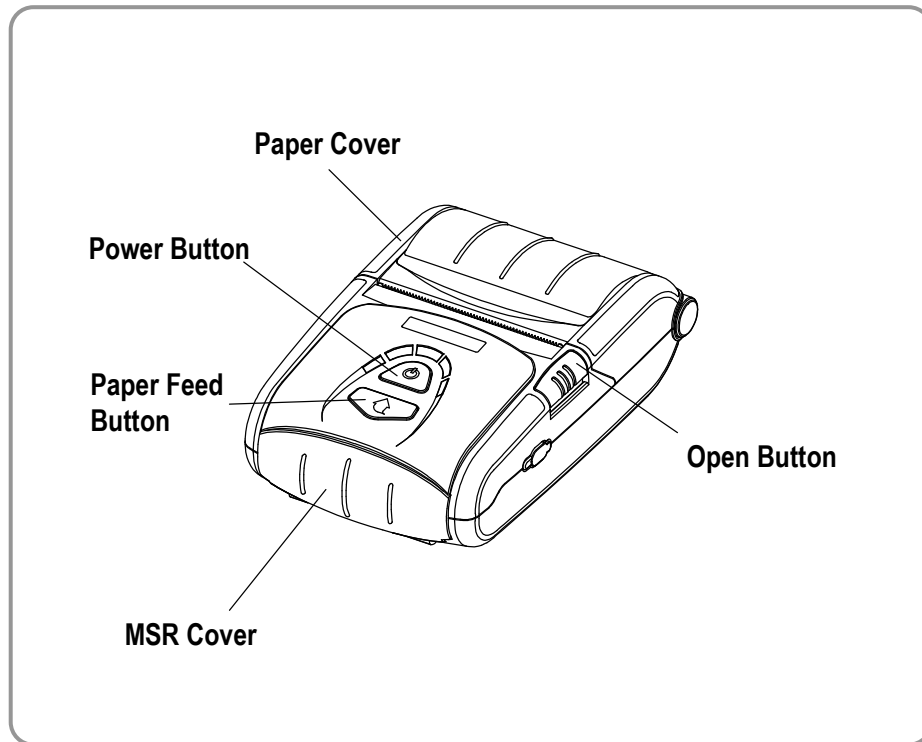
**Quad Charger**



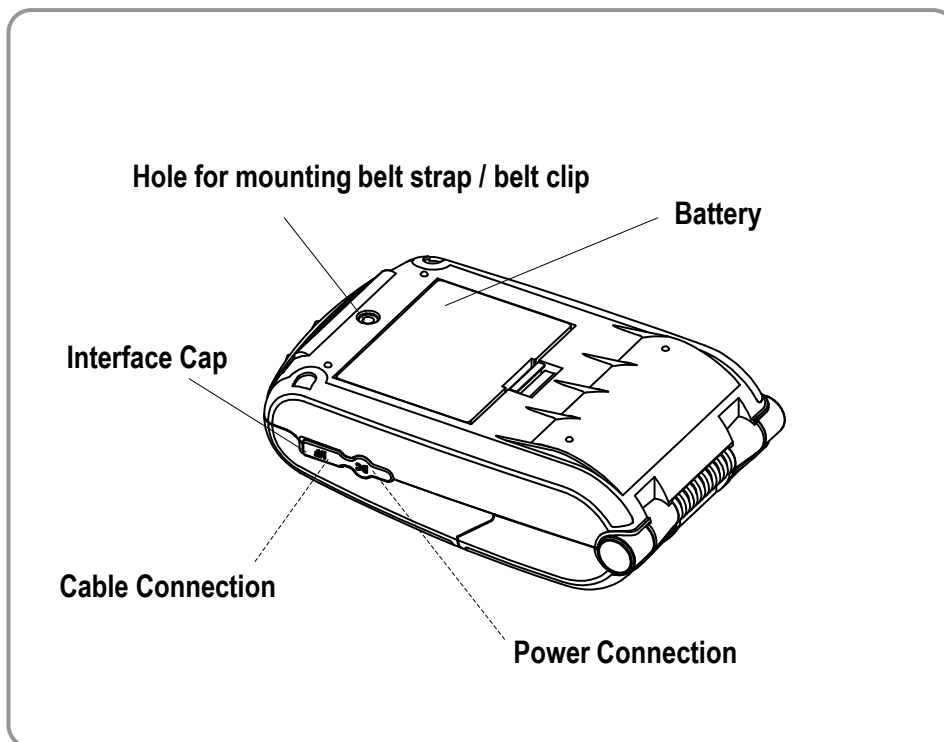
**Wall mount for Quad  
Charger(RWM-350)**

## 2. Product Part Names

### • Front

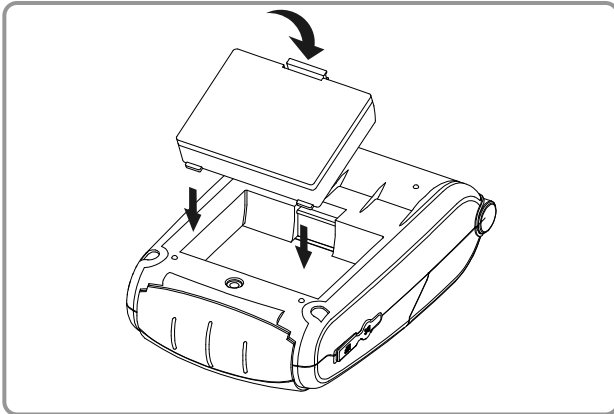


### • Rear



## 3. Installation & Usage

### 3-1 Battery Installation



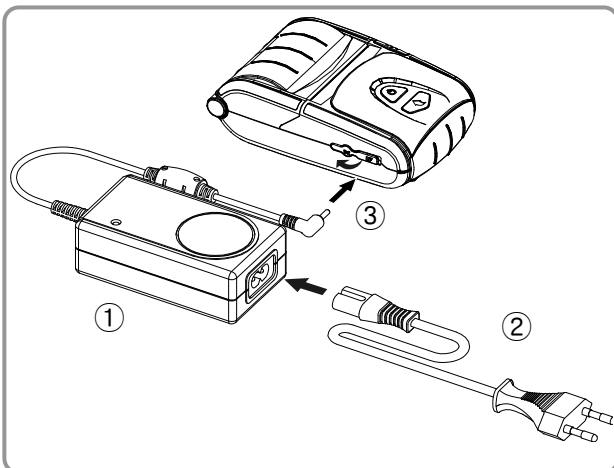
- 1) Insert the battery on the rear side of the printer, aligning the battery hook properly.
- 2) Push the battery into the slot until a snapping sound is heard.

 **NOTE**

As the battery is not charged at the time of purchase, charge the battery prior to product use. (Use the battery charger)

### 3-2 Battery Charging

#### 3-2-1 Battery Charging Usage



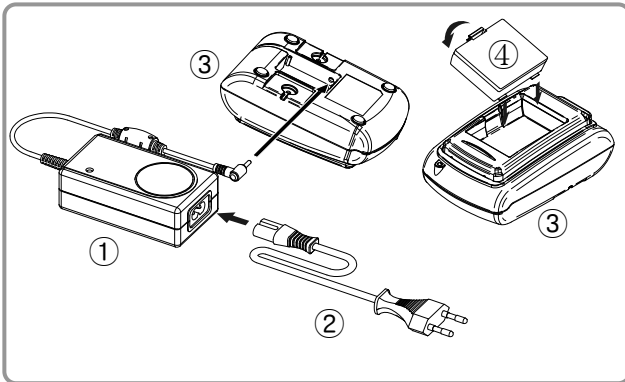
- 1) Turn off the printer power.
- 2) Connect the power cord ② to the battery charger ①, and then connect AC power.
- 3) Open the external interface cap in the direction of ③.
- 4) Connect the battery charger to the power connector.

 **CAUTION**

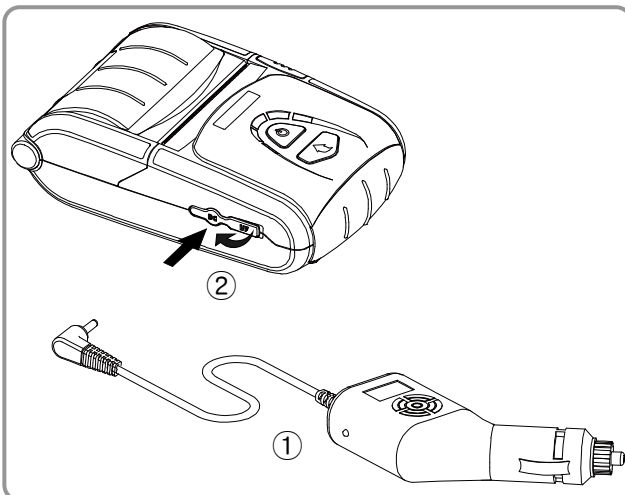
The printer may incur serious damage if the battery charger provided by BIXOLON is not used. BIXOLON is not legally liable for any such damages. (The voltage and electrical current specifications of the printer and battery charger must match.)

 **WARNING**

Turn off the power before charging the battery for the printer.

**3-2-2 Battery Cradle (Optional) Usage**

- 1) Connect the power cord ② to the battery charger ①.
- 2) Connect the battery charger ① to the power connector of the battery cradle ③.
- 3) Plug the power cord ② into an electrical outlet.
- 4) Insert the battery ④ into the battery cradle ③ until a snapping sound is heard.

**3-2-3 Cigarette Lighter Jack Charger (Optional) Usage**

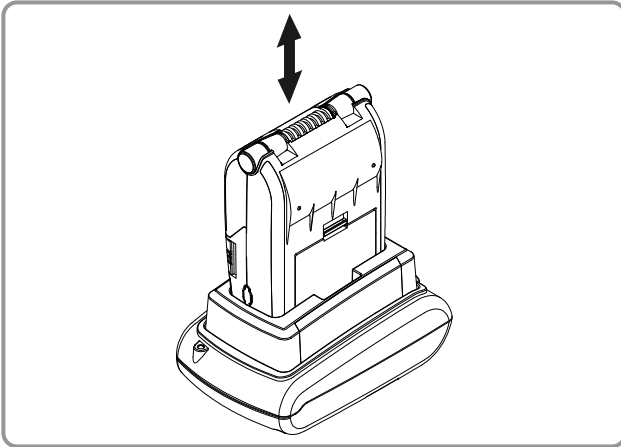
- 1) Turn off the power to the printer.
- 2) Connect the cigarette lighter jack charger ① to your car's cigarette lighter jack.
- 3) Open the external interface protection cap in the direction of ②.
- 4) Connect the battery charger to the power connector.

**⚠ CAUTION**

The printer may be seriously damaged if a battery charger not provided by BIXOLON is used. BIXOLON is not liable for such damage.

**⚠ WARNING**

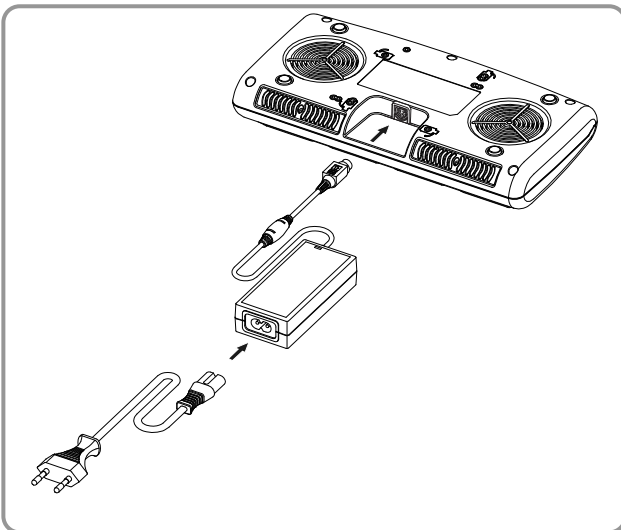
Turn off the power before charging the battery for the printer.

**3-2-4 Using Single Cradle (Optional)**

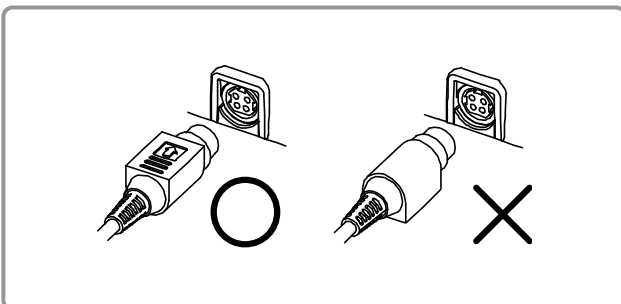
- 1) Turn the printer off.
- 2) Slide the printer in the Single Cradle as shown in the picture.
- 3) Push the printer in until a clicking sound is heard.
- 4) Charging will begin when the printer is installed.
- 5) Pull out the printer to separate it.

**⚠ CAUTION**

Please be sure to use the battery with external power contacts.

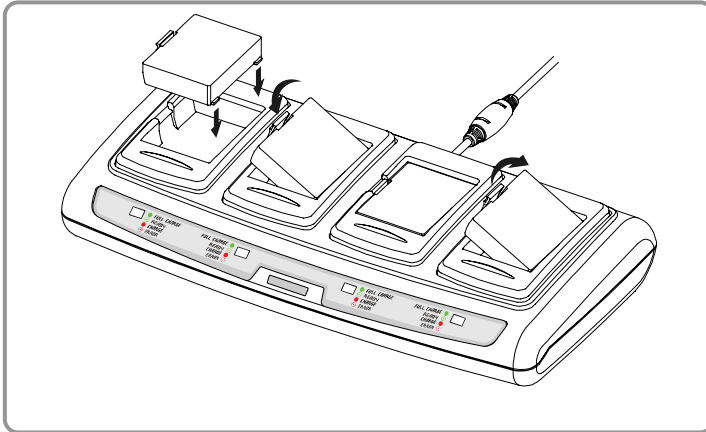
**3-2-5 Using Quad Charger / Quad Cradle (Optional)****3-2-5-1 Connecting the cables**

- 1) Connect the power cord to the adaptor, and Connect the adaptor to the power connector of the Quad Charger/Cradle.
- 2) Plug the power cord into a power Outlet. Input power is 100 ~ 240VAC, 50/60Hz, 1.0A.
- 3) When the power is supplied, the yellow, green and red lamps are on for three seconds and do the self-test.

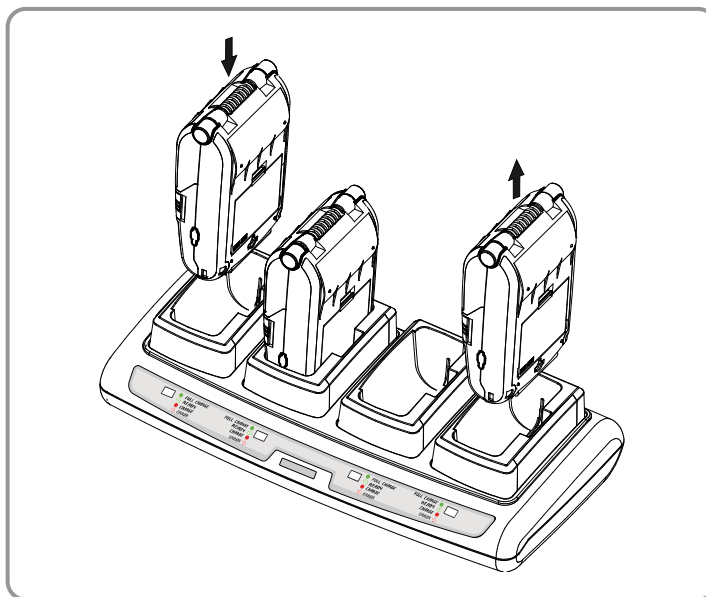
**⚠ WARNING**

Use only designated AC/DC adaptor. (12VDC, 3A)

**3-2-5-2 Charging Battery (Printer)**



- 1) Fasten batteries via the battery hooks into the Quad Charger as shown above.
- 2) Push the battery in until a snapping sound is emitted.
- 3) Charging begins as soon as the battery is completely inserted. Batteries are charged to 8.4VDC, 0.8A.
- 4) Push the hook and pull up to extract the battery.



- 1) Turn the printer off.
- 2) Slide the printer in the Quad Cradle as shown in the picture.
- 3) Push the printer in until a clicking sound is heard.
- 4) Charging will begin when the printer is installed.
- 5) When charging complete, Pull out the printer to separate it.

**⚠ CAUTION**

Please be sure to use the battery with external power contacts.

**📎 NOTE**

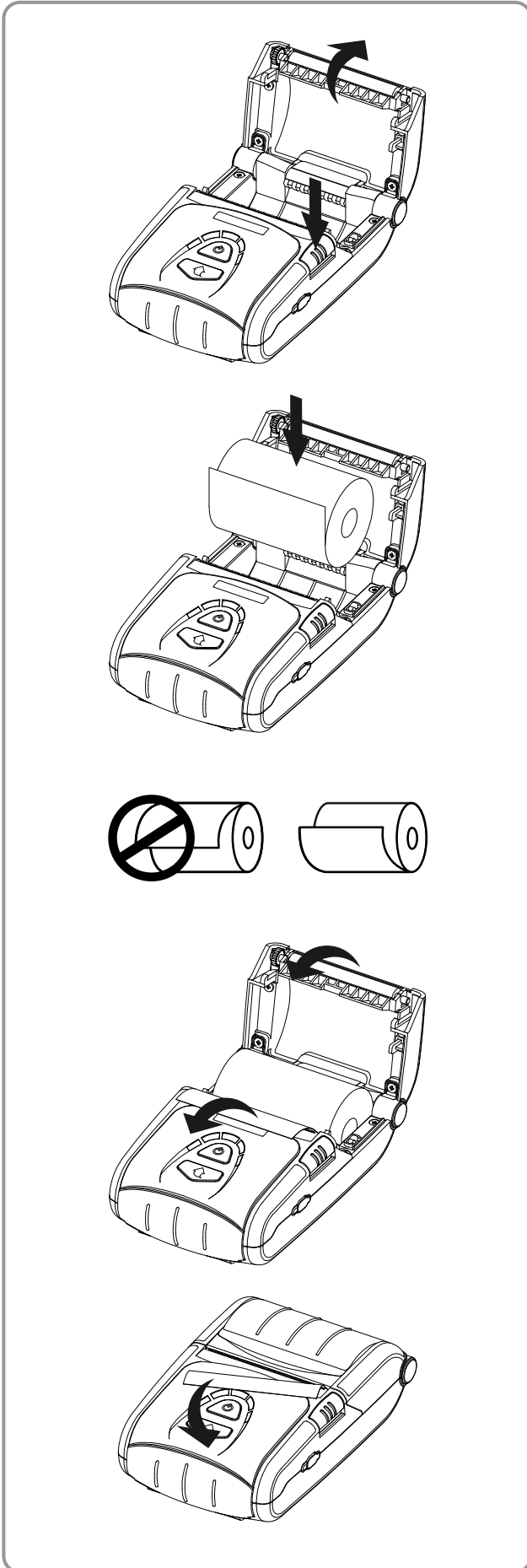
Battery charging status descriptions are as follows.

Lamp	Charge Status	Charge Time
Red Lamp On	Charging	2.5 hours
Green Lamp Blinking	Over 80% Charged	
Green Lamp On	Fully Charged	
Red Lamp Blinking	Error Replace or Reinstall Battery	

**⚠ CAUTION**

1. If the red lamp of the charger blinks, install the battery again.
2. If the red lamp continues to blink despite several attempts (4 ~ 5 times) to install the battery, contact your local dealer.
3. The charging time may vary depending on the type of the charger or ambient temperature.

**3-3 Paper Installation**



1) Press the Open button to open the paper cover.

2) Insert the paper as shown in the image. (Remove any remaining core of a fully used paper roll.)

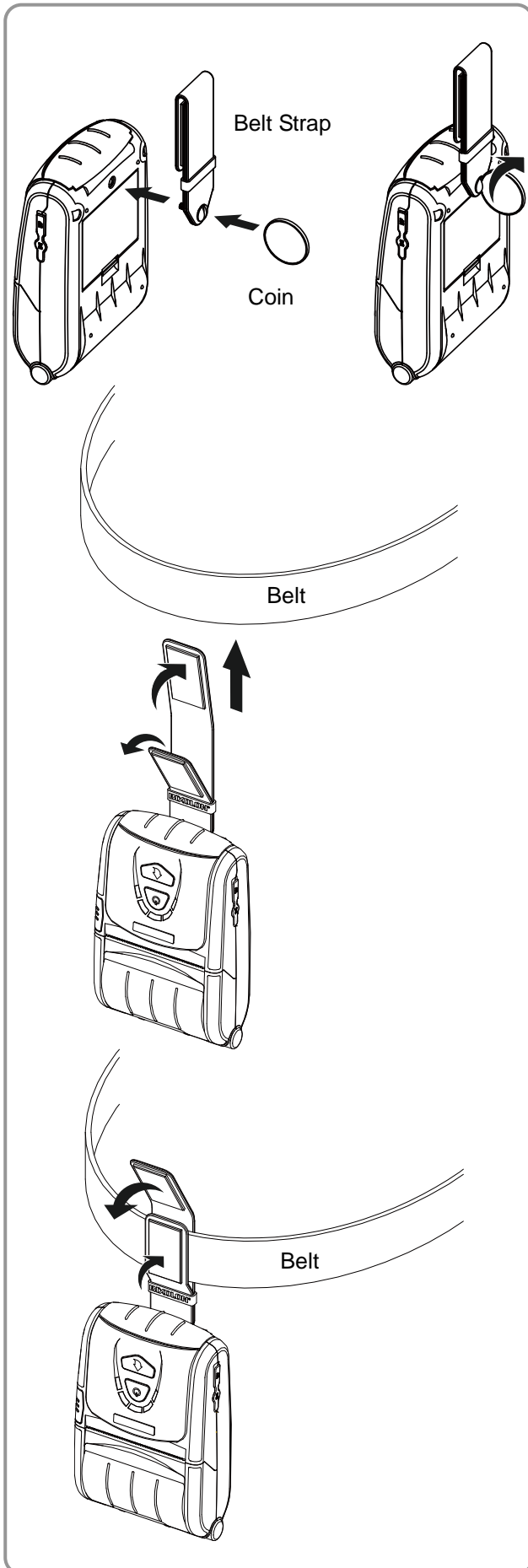
3) Take care to align the paper correctly.

4) Pull the paper out as shown in the image and close the paper cover.

5) Tear off any excess paper in the direction of the side of the printer.



**3-4 Using Belt Strap**



1) Insert the belt strap screw into the belt strap hole.

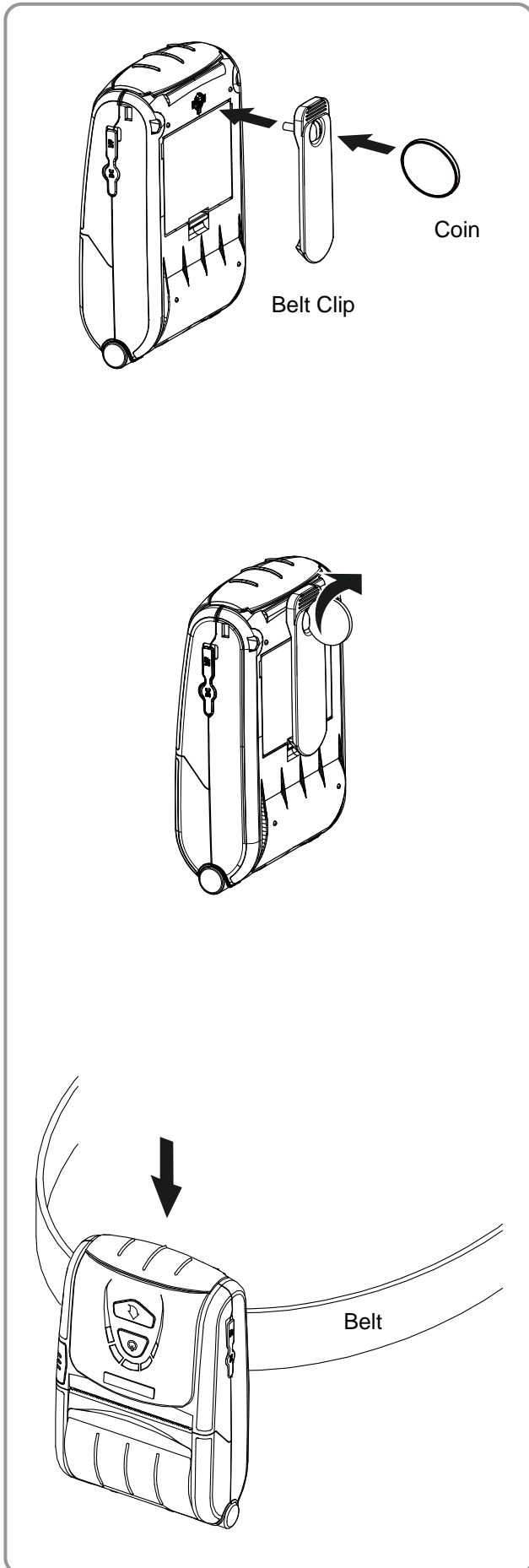
2) Use a coin to tighten the belt strap screw as shown in the image.

3) Undo the belt strap Velcro.

4) Fasten the belt strap to a belt.

5) Close the Velcro as shown in the image.

**3-5 Using Belt Clip (Optional)**

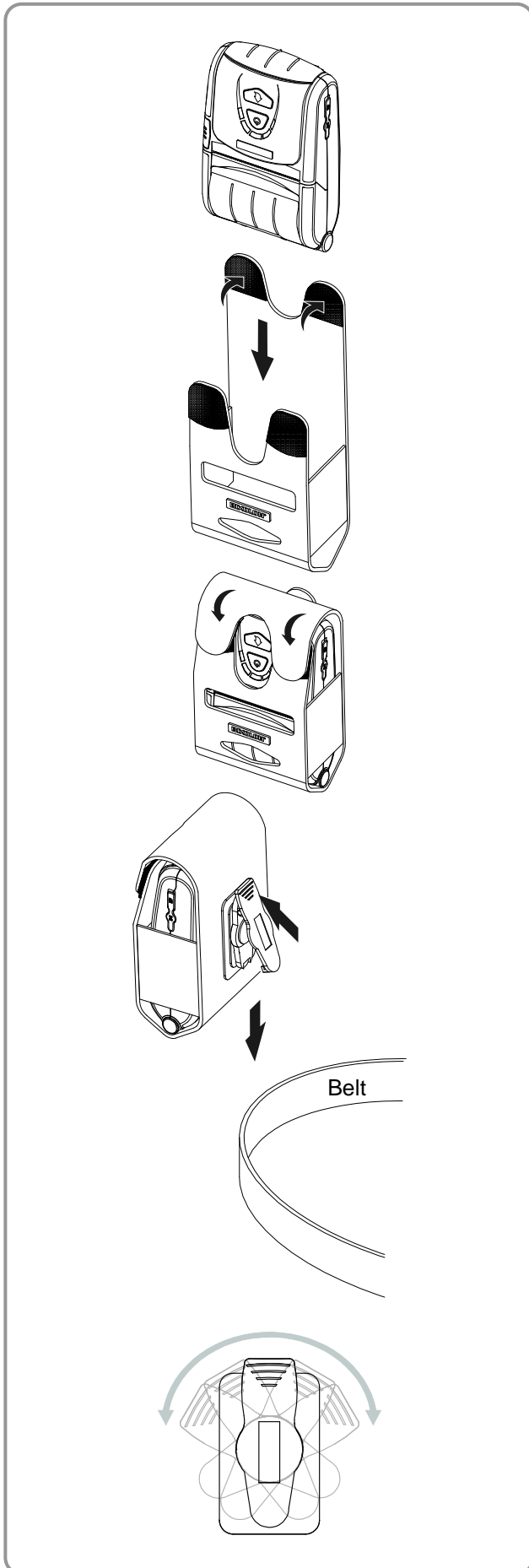


1) Insert the screw of the belt clip to the belt clip mounting hole.

2) Fasten the screw of the belt clip with an object like a coin as shown in the picture. (Be careful to fasten in the correct direction.)

3) Insert the clip to the belt.

**3-6 Using Case (Optional)**



1) Open its top cover

2) Insert the printer in the case in the direction shown in the picture.

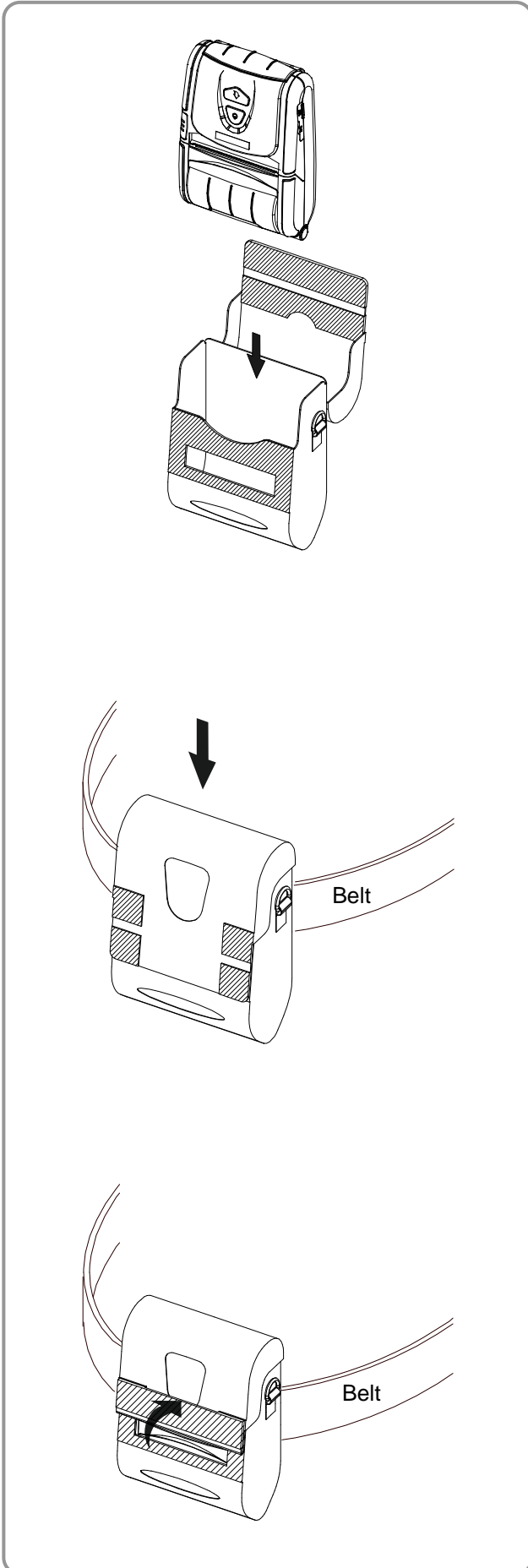
3) Close the Velcro.

4) Attach it to the belt using the clip on the back of the case.

 **Note**

Clip of the case can be rotated in two steps of 30° for each step (up to 60°)

**3-7 Protective Case (Optional) Usage**



1) Open its top cover.

2) Insert your printer into the protective case as shown in the figure on the left.

3) Close the Velcro.

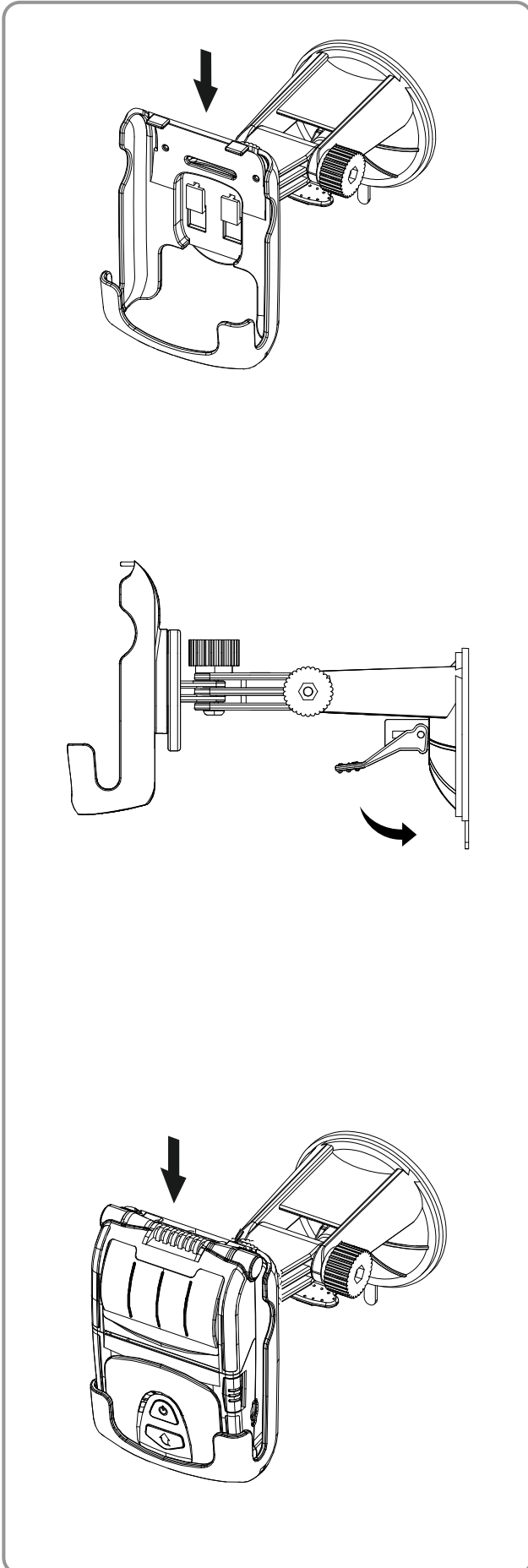
4) Attach it to the belt using the clip on the back of the protective case.

5) Open the paper discharger when using the printer as shown in the figure.

 **Note**

The clip of the protective case can be rotated in two steps of 30° for each step (up to 60°)

**3-8 Using Vehicle Holder (Optional)**

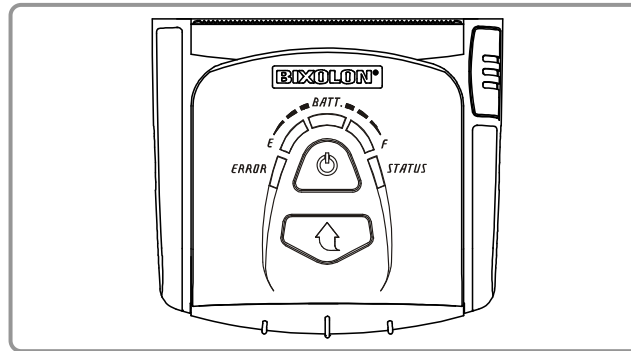


1) Assemble the vehicle holder to the mount.

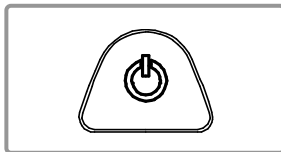
2) Adjust the vehicle mount properly, put the suction plate close to the glass, and pull the level to fix the position.  
(Use the disk pad to mount it on the dash board)

3) Slide the printer in the vehicle holder completely as shown in the picture.

### 3-9 Control Panel Usage

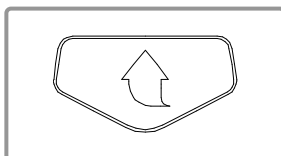


• **Power Button**



This button is used to turn the printer on and off. When the printer is off, pressing this button for approximately 2 seconds will turn the power on. When the printer is on, pressing this button for approximately 2 seconds will turn the power off.

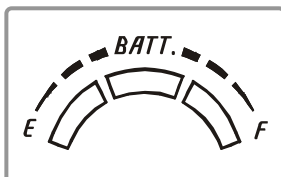
• **Paper Feed Button**



This button is used to feed paper manually, take the self-set and dump hexadecimals.

- 1) To feed paper manually, press this button.
- 2) For information on the self-test, refer to “4. Self-Test”.
- 3) For information on the dump of hexadecimals, refer to “Service Manual”.

• **Battery Status Lamp (Blue or Red)**



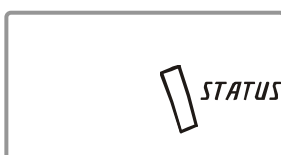
- 1) If three blue lamps are lit, the battery is fully charged.
- 2) If two blue lamps are lit, the battery is half charged.
- 3) If one blue lamp is lit, the battery is at the lowest charge level.
- 4) If the red lamp is lit, the battery must be charged or replaced.

• **Error Lamp (Left-sided)**



- 1) If the red lamp is lit, the paper cover is open.
- 2) If the red lamp is blinking, either the paper has been fully used or the print head is overheated.  
(Fill with paper or turn the printer off for at least 10 minutes.)
- 3) If the red lamp continues to blink, it may indicate a more serious problem with the product, and thus an authorized service dealer should be consulted.

• **Bluetooth Lamp (Green)**

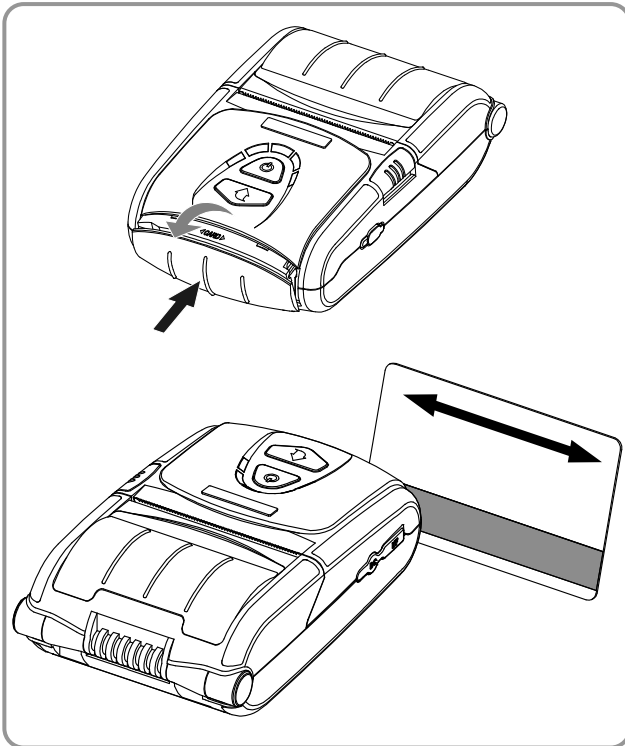


- 1) When using Bluetooth  
If the printer is ready for wireless communication with any Bluetooth, the green lamp as well as the battery status lamp is turned on.
- 2) When using wireless LAN  
The right indicator shows the signal strength from wireless LAN. The green lamp blinks for acceptable signal strength while the red lamp blinks for weak signal strength.
  - In power save mode, only the Status lamp is lit.

**NOTE**

The power saving mode is activated after the first communication, with the default time interval being 10 seconds.

### 3-10 MSR Usage



- 1) Press the MSR cover to open.
- 2) Insert the card as shown in the image and swipe in the direction of the arrow. (can be done in both directions)
- 3) When finished using, press the MSR cover to close it.

 **NOTE**

If the card does not register, first check to see if it is properly aligned. When swiping the card, the recommended swiping speed is 100 ~ 1200 mm/sec.

## 4. Self-Test

Run the self-test when first setting the printer or when encountering a problem, and check the following.

- Control Circuit, Mechanisms, Print Quality, ROM Version, and Memory Switch Settings

If no issue is found with the printer after running the self-test, examine the other devices or peripherals and software. This function is independent of such other devices and software.

### • Self-Test Instructions

- 1) Turn the printer power off and close the printer paper cover.
- 2) Pressing the paper feed button and power button simultaneously turns the printer on.
- 3) After printing begins, please release the two buttons.
- 4) To add a printout of the ASCII pattern, press the paper feed button once more.
- 5) After the ASCII pattern is printed out, the self-test is automatically terminated.

• Self-Test Sample (For Bluetooth)

Firmware version : V01.00 STOB 050412
Butter Capacity : 128K Bytes
Print Density : 100%
Serial Interface
- Baud rate : 115200 bps
Data bits : 8 bits
Parity : None
Stop bit : 1 bit or more
Handshaking : DTR/DSR
Default Codepage : PC437
Print Speed : Max. 80mm/s
Double byte character mode:On
Font : 12 x 24
Paper out Bell : Off
Low Battery Buzzer : On
Power off time : 15 Min
Idle mode time : 10 Sec
MSR data including sentinel
Character mode : None
MSR read mode : Auto TRACK1/2/3
BATT NTC : OK

Memory switch setup status

Memory S/W1 Memory S/W2
ON 1 2 3 4 5 6 7 8 OFF 1 2 3 4 5 6 7 8
OFF ON
Memory S/W3 Memory S/W4
ON 1 2 3 4 5 6 7 8 ON 1 2 3 4 5 6 7 8
OFF OFF
Memory S/W5 Memory S/W6
ON 1 2 3 4 5 6 7 8 ON 1 2 3 4 5 6 7 8
OFF OFF
Memory S/W7 Memory S/W8
ON 1 2 3 4 5 6 7 8 ON 1 2 3 4 5 6 7 8
OFF OFF

RF Interface

Bluetooth Firmware version : 4.0.0

Bluetooth BD address :

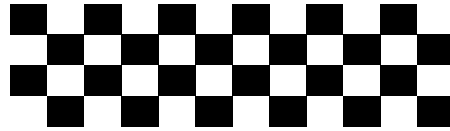


001901223194

- Auth. & Encry. are enable

- Connection Mode = 2

Not available WLAN



If you want to continue SELF-TEST printing, Please press FEED button.

ASCII

!"#\$%&'()\*+,-./0123456789;:<=>?@
"\$%&'()\*+,-./0123456789;:<=>?@A
#\$%&'()\*+,-./0123456789;:<=>?@AB
\$%&'()\*+,-./0123456789;:<=>?@ABC
%&'()\*+,-./0123456789;:<=>?@ABCD
&'()\*+,-./0123456789;:<=>?@ABCDE
'()\*+,-./0123456789;:<=>?@ABCDEF
()\*+,-./0123456789;:<=>?@ABCDEF
)()+,-./0123456789;:<=>?@ABCDEF
\*+,-./0123456789;:<=>?@ABCDEF
+,-./0123456789;:<=>?@ABCDEF
,-./0123456789;:<=>?@ABCDEF
-./0123456789;:<=>?@ABCDEF
./0123456789;:<=>?@ABCDEF
/0123456789;:<=>?@ABCDEF
0123456789;:<=>?@ABCDEF
123456789;:<=>?@ABCDEF
23456789;:<=>?@ABCDEF
3456789;:<=>?@ABCDEF
456789;:<=>?@ABCDEF
56789;:<=>?@ABCDEF
6789;:<=>?@ABCDEF
789;:<=>?@ABCDEF
89;:<=>?@ABCDEF
9;:<=>?@ABCDEF

PC437

ÇüéáàâãäåæçèéëìíîïÏÄÅÉæÆðóôùúÿÜöç£¥ Ptj
üéáàâãäåæçèéëìíîïÏÄÅÉæÆðóôùúÿÜöç£¥ Ptfé
éáàâãäåæçèéëìíîïÏÄÅÉæÆðóôùúÿÜöç£¥ Ptfá
áàâãäåæçèéëìíîïÏÄÅÉæÆðóôùúÿÜöç£¥ Ptfáí
ääåæçèéëìíîïÏÄÅÉæÆðóôùúÿÜöç£¥ Ptfáíó
åæçèéëìíîïÏÄÅÉæÆðóôùúÿÜöç£¥ Ptfáíóú
äçèéëìíîïÏÄÅÉæÆðóôùúÿÜöç£¥ Ptfáíóúñ
çèéëìíîïÏÄÅÉæÆðóôùúÿÜöç£¥ Ptfáíóúñ
èéëìíîïÏÄÅÉæÆðóôùúÿÜöç£¥ Ptfáíóúñ
èìíîïÏÄÅÉæÆðóôùúÿÜöç£¥ Ptfáíóúñ
èííîïÏÄÅÉæÆðóôùúÿÜöç£¥ Ptfáíóúñ
ìíîïÏÄÅÉæÆðóôùúÿÜöç£¥ Ptfáíóúñ
íîïÏÄÅÉæÆðóôùúÿÜöç£¥ Ptfáíóúñ
îïÏÄÅÉæÆðóôùúÿÜöç£¥ Ptfáíóúñ
ïÏÄÅÉæÆðóôùúÿÜöç£¥ Ptfáíóúñ
ÏÄÅÉæÆðóôùúÿÜöç£¥ Ptfáíóúñ
ÄÅÉæÆðóôùúÿÜöç£¥ Ptfáíóúñ
ÅÉæÆðóôùúÿÜöç£¥ Ptfáíóúñ
ÉæÆðóôùúÿÜöç£¥ Ptfáíóúñ
æÆðóôùúÿÜöç£¥ Ptfáíóúñ
ÆðóôùúÿÜöç£¥ Ptfáíóúñ
ðóôùúÿÜöç£¥ Ptfáíóúñ
óôùúÿÜöç£¥ Ptfáíóúñ
ôùúÿÜöç£¥ Ptfáíóúñ
ùúÿÜöç£¥ Ptfáíóúñ
ÿÜöç£¥ Ptfáíóúñ
Üöç£¥ Ptfáíóúñ
Öç£¥ Ptfáíóúñ
ÇüéáàâãäåæçèéëìíîïÏÄÅÉæÆðóôùúÿÜöç£¥ Ptfj
üéáàâãäåæçèéëìíîïÏÄÅÉæÆðóôùúÿÜöç£¥ Ptfé
éáàâãäåæçèéëìíîïÏÄÅÉæÆðóôùúÿÜöç£¥ Ptfá
áàâãäåæçèéëìíîïÏÄÅÉæÆðóôùúÿÜöç£¥ Ptfáí
ääåæçèéëìíîïÏÄÅÉæÆðóôùúÿÜöç£¥ Ptfáíó
åæçèéëìíîïÏÄÅÉæÆðóôùúÿÜöç£¥ Ptfáíóú
äçèéëìíîïÏÄÅÉæÆðóôùúÿÜöç£¥ Ptfáíóúñ
çèéëìíîïÏÄÅÉæÆðóôùúÿÜöç£¥ Ptfáíóúñ
èéëìíîïÏÄÅÉæÆðóôùúÿÜöç£¥ Ptfáíóúñ
èìíîïÏÄÅÉæÆðóôùúÿÜöç£¥ Ptfáíóúñ
èííîïÏÄÅÉæÆðóôùúÿÜöç£¥ Ptfáíóúñ
ìíîïÏÄÅÉæÆðóôùúÿÜöç£¥ Ptfáíóúñ
íîïÏÄÅÉæÆðóôùúÿÜöç£¥ Ptfáíóúñ
îïÏÄÅÉæÆðóôùúÿÜöç£¥ Ptfáíóúñ
ïÏÄÅÉæÆðóôùúÿÜöç£¥ Ptfáíóúñ
ÏÄÅÉæÆðóôùúÿÜöç£¥ Ptfáíóúñ
ÄÅÉæÆðóôùúÿÜöç£¥ Ptfáíóúñ
ÅÉæÆðóôùúÿÜöç£¥ Ptfáíóúñ
ÉæÆðóôùúÿÜöç£¥ Ptfáíóúñ
æÆðóôùúÿÜöç£¥ Ptfáíóúñ
ÆðóôùúÿÜöç£¥ Ptfáíóúñ
ðóôùúÿÜöç£¥ Ptfáíóúñ
óôùúÿÜöç£¥ Ptfáíóúñ
ôùúÿÜöç£¥ Ptfáíóúñ
ùúÿÜöç£¥ Ptfáíóúñ
ÿÜöç£¥ Ptfáíóúñ
Üöç£¥ Ptfáíóúñ
Öç£¥ Ptfáíóúñ
ÇüéáàâãäåæçèéëìíîïÏÄÅÉæÆðóôùúÿÜöç£¥ Ptfj
üéáàâãäåæçèéëìíîïÏÄÅÉæÆðóôùúÿÜöç£¥ Ptfé
éáàâãäåæçèéëìíîïÏÄÅÉæÆðóôùúÿÜöç£¥ Ptfá
áàâãäåæçèéëìíîïÏÄÅÉæÆðóôùúÿÜöç£¥ Ptfáí
ääåæçèéëìíîïÏÄÅÉæÆðóôùúÿÜöç£¥ Ptfáíó
åæçèéëìíîïÏÄÅÉæÆðóôùúÿÜöç£¥ Ptfáíóú
äçèéëìíîïÏÄÅÉæÆðóôùúÿÜöç£¥ Ptfáíóúñ
çèéëìíîïÏÄÅÉæÆðóôùúÿÜöç£¥ Ptfáíóúñ
èéëìíîïÏÄÅÉæÆðóôùúÿÜöç£¥ Ptfáíóúñ
èìíîïÏÄÅÉæÆðóôùúÿÜöç£¥ Ptfáíóúñ
èííîïÏÄÅÉæÆðóôùúÿÜöç£¥ Ptfáíóúñ
ìíîïÏÄÅÉæÆðóôùúÿÜöç£¥ Ptfáíóúñ
íîïÏÄÅÉæÆðóôùúÿÜöç£¥ Ptfáíóúñ
îïÏÄÅÉæÆðóôùúÿÜöç£¥ Ptfáíóúñ
ïÏÄÅÉæÆðóôùúÿÜöç£¥ Ptfáíóúñ
ÏÄÅÉæÆðóôùúÿÜöç£¥ Ptfáíóúñ
ÄÅÉæÆðóôùúÿÜöç£¥ Ptfáíóúñ
ÅÉæÆðóôùúÿÜöç£¥ Ptfáíóúñ
ÉæÆðóôùúÿÜöç£¥ Ptfáíóúñ
æÆðóôùúÿÜöç£¥ Ptfáíóúñ
ÆðóôùúÿÜöç£¥ Ptfáíóúñ
ðóôùúÿÜöç£¥ Ptfáíóúñ
óôùúÿÜöç£¥ Ptfáíóúñ
ôùúÿÜöç£¥ Ptfáíóúñ
ùúÿÜöç£¥ Ptfáíóúñ
ÿÜöç£¥ Ptfáíóúñ
Üöç£¥ Ptfáíóúñ
Öç£¥ Ptfáíóúñ

\*\*\* Completed \*\*\*





## **5. Label Printing Function**

### **5-1 Label Function Setting**

Label paper and black mark paper available at the label mode.

- **Setting Operations**

- 1) Turn on the printer power.
- 2) Open the paper cover and press and hold down the paper feed button for longer than two seconds.
- 3) After the buzzer tone is emitted, insert paper and close the cover.
- 4) Repeat the steps above to return to receipt mode.

- **Setting Via Memory Switch**

- Please refer to the memory switch changing section of the Commands Manual.

### **5-2 Auto Calibration Function**

The label printing function requires the recognition of label paper gaps and black mark paper black bar in order to print.

If label paper gaps are not properly recognized, use the auto calibration function.

- **Auto Calibration Instructions**

- 1) Turn the printer power off while in label print mode.
- 2) Press and hold down the paper feed button and then press the power button.
- 3) After the following printout is outputted, press the power button to perform auto calibration.

Select the mode

Auto Calibration: Power Button

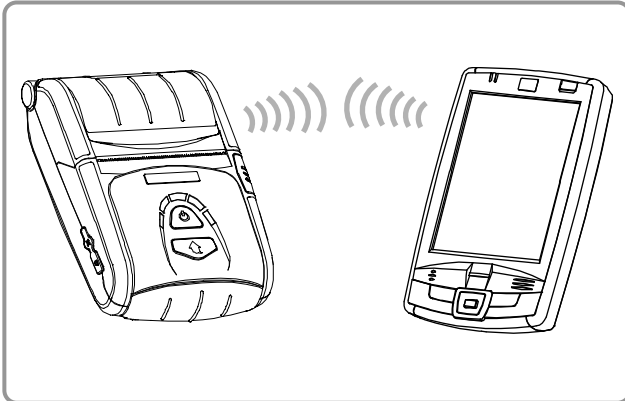
Self Test: Feed Button

- 4) Three pages of label paper are outputted when performing auto calibration.

## 6. Peripherals Connection

This product can communicate with other devices via Bluetooth communication and cable.

### 6-1 Bluetooth & Wireless LAN Connection

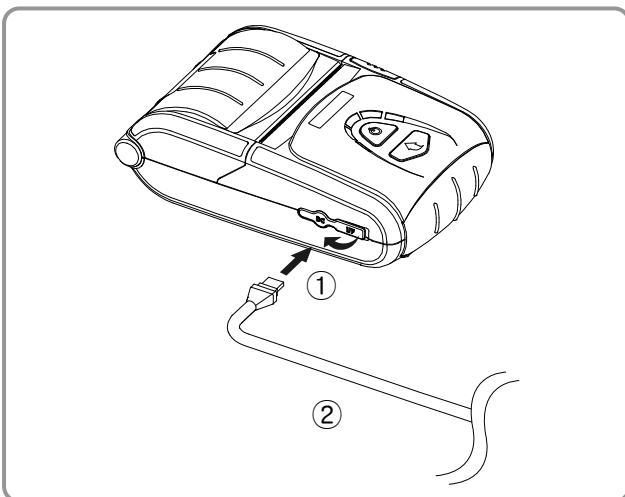


- 1) The printer can be connected to devices equipped with Bluetooth communication capacity (PDAs, PCs, etc.).
- 2) Use the Bluetooth connection function supported by the device to connect to the printer.
- 3) The printer can be connected to other stations, such as PDAs and PCs supporting wireless LAN communication in Ad-hoc mode and AP in Infrastructure mode.

 **NOTE**

Refer to the Bluetooth Wireless LAN Manual for detailed information on its connection. You can check the bluetooth environment (authentication, encryption, connection mode) and the wireless LAN environment (IP, SSID, authentication, encryption) via the self-test page.

### 6-2 Interface Cable Connection



- 1) Open the Interface Cap ①.
- 2) Connect the interface cable (optional) ② to the cable connector of the printer.

 **NOTE**

Use only cables (optional) provided by BIXOLON (USB, Serial).

- 3) Connect the interface cable to the USB port of the device (PDAs, PCs, etc.).

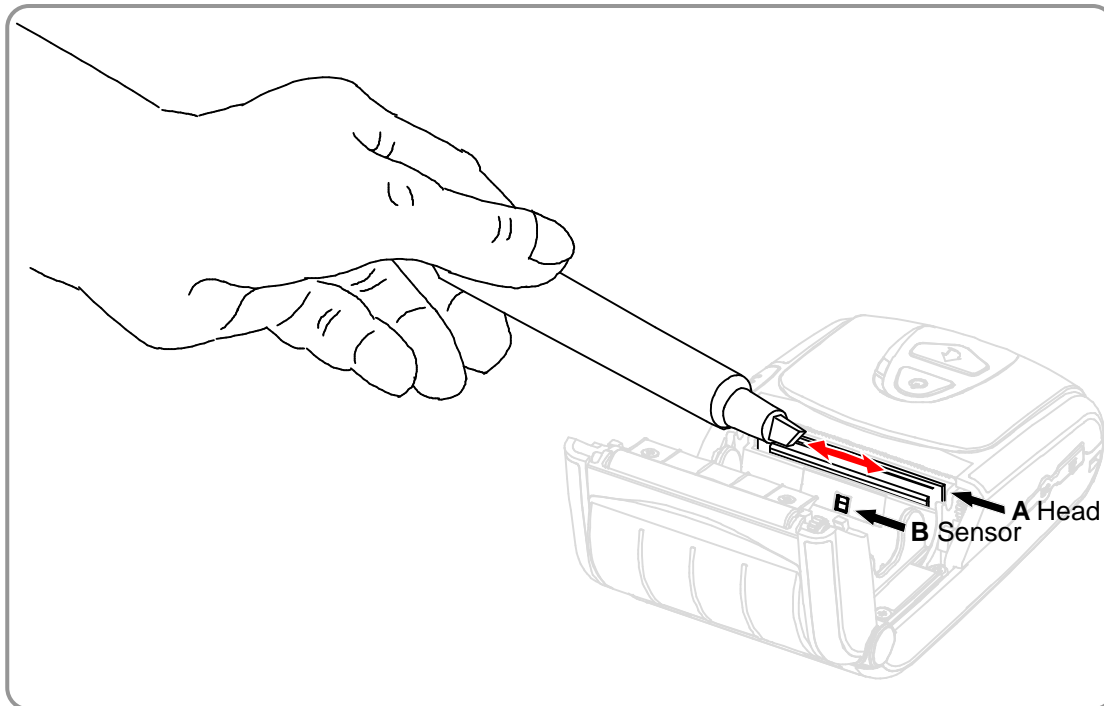
 **NOTE**

The interface cable that can be connected with the printer is available in both USB and Serial type.

Refer to the service manual for detailed interface cable specifications.

## 7. Printer Cleaning

If the interior of the printer is dusty, print quality can decline.  
In such a case, follow the instructions below to clean the printer.



- 1) Open the paper cover and remove the paper if there is any. Apply the cleaning pen from the center to the edge over the printer head (A) for cleaning.
- 2) Clean the printer head (A) using the cleaning pen.
- 3) Remove paper dust from the paper detection sensor (B) using the cleaning pen.
- 4) Do not use the printer for one to two minutes after cleaning the printer head (A) until the cleaning agent of the cleaning pen has completely evaporated and dried.
- 5) Mount the paper and close the printer cover.

### **⚠ Caution**

- Make sure the printer power is turned off before cleaning.
- Wait for two to three minutes after power-off before head cleaning because the head part may become very hot during printer operation.
- Take care not to touch the heating region of the head with your hand while cleaning the head part.  
→ The printer head may be damaged by static electricity.
- Take care to avoid scratching the head.
- Clean the printer head periodically if linerless paper is used. Recommended cleaning period is after consuming ten rolls of linerless paper (100 meters), or more than once a week. Printing quality may be degraded or printer life may be shortened if the head is not cleaned periodically.

### **⚠ Warning**

- Use only the linerless paper that is provided by BIXOLON. Use of other paper voids product warranty.
- Use only the cleaning pen (PCP-R200II) provided by BIXOLON for cleaning.

**8. Appendix**  
**8-1 Specifications**

Item		Description	
Printing	Printing Method	Thermal printing	
	Printing Speed	90 mm/sec (Receipt Paper), 80 mm/sec (Linerless Paper)	
	Resolution	203 DPI	
	Paper Supply Mode	Easy paper loading	
	Character Size	Font A: 12 × 24    Font B: 9 × 17    Font C: 9 × 24	
	Characters Per Line	Font A: 32                  Font B/C: 42	
	Character Set	English: 95 Expanded Graphics: 128 × 33 pages International: 32	
	Barcode	1 Dimension: UPC A, UPC E, CODE 39, CODE 93, Code 128, EAN 8, EAN 13, ITF, Codabar 2 Dimension: PDF417, DATAMATRIX, MAXI, QR Code	
	Emulation	BXL/POS	
	Driver	Windows XP(32/64bit) / WEPOS / 2003 Server(32/64bit) / VISTA(32/64bit) / 2008 Server(32/64bit) / 7(32/64bit) / 8(32/64bit)	
	SDK	Windows XP / WEPOS / 2003 Server / VISTA / 2008 Server / 7 / 8 / CE 3.0 and later	
	Sensor	Paper End, Paper Cover Open	
	Cutter Type	Tear-Bar	
Language	User language supported		
Paper	Paper Shape	Receipt	Linerless
	Paper Type	Thermal Paper	Thermal Paper
	Outer Diameter of Paper Roll	Max. ø40 mm (1.57")	Max. ø39 mm (1.54")
	Width	57.5 ± 0.5 mm (2.26" ± 0.2")	57.5 ± 0.5 mm (2.26" ± 0.2")
	Thickness	0.07 ± 0.003 mm	0.08 ± 0.008mm
Reliability	Printer	50 km (Receipt Paper), 10 km (Linerless Paper)	
	Battery	Rechargeable up to 500 times	
Communications	Interface	Serial/USB, Bluetooth Class2 V3.0 + EDR Wireless Lan 802.11 b/g * Communication is enabled only for devices with Bluetooth or Wireless LAN function.	
Battery Charger	Input	Voltage: 100 ~ 250 VAC    Current: 0.5A (Max. at 110VA)	
	Output	Voltage: 8.4 VDC    Current: 0.8A * Charging current and charging time may depend on the type (option) of the charger.	
Battery	Type	Lithium-ion	
	Output	Voltage: 7.4 VDC (Available 8.4 ~ 6.8VDC) Capacity: 1200 mAh	
	Charging Time	2.5 hours	
Usage Conditions	Temperature	Printer: -15~50°C (5~122°F) Battery: 0~40°C (32~104°F) Battery discharge: -20~60°C (-4~140°F)	
	Humidity	Printer: 10~80% RH (No condensation) Battery: 20~70% RH(Non-condensing, refer to the temperature conditions on page 8)	
Dimensions	Printer	79.5mm × 126.7mm × 43.6mm (3.13" × 4.99" × 1.72")	
Weight	Printer	Printer : 197g (0.43lbs) Printer + Battery : 250g (0.55lbs) Printer + Battery + Paper : 307g (0.68lbs) Package: approx. 1000g (2.2lbs)	
Accessories	Basic Package	Battery, Battery Charger, Belt Strap, Paper	
	Sold Separately	Battery(with external power contacts), Case, Protective Case, Belt Clip, Cleaning Pen, Vehicle Holder, Interface Cable, Cigarette Lighter Jack Charger, Shoulder Strap, Quad Cradle, Quad Charger, Wall mount for Quad Charger(RWM-350), Single Cradle, Battery Cradle	

\* This equipment is indooruse and all the communication hiring are limited to inside of the building.

\* The switch is the disconnecting device. Turn off switch from any hazard.

## 8-2 Certification

### 1) WEEE (Waste Electrical and Electric Equipment)



This mark shown on the product or its literature indicates that the corresponding item should not be discarded at the end of its working life with other household waste. To prevent possible harm to the environment or human health from uncontrolled waste disposal, please separate marked items from other types of waste and recycle them responsibly to promote the sustained reuse of material resources. Household users should contact either the retailer where they purchased this product, or their local government office for details of where and how they can conduct environmentally safe recycling of such items. Commercial users should contact their suppliers and check the terms and conditions of purchase contracts. This product should not be combined with other commercial waste for disposal.

2) This equipment is indooruse and all the communication hiring are limited to inside of the building.

3) The switch is the disconnecting device. Turn off switch from any hazard.

4) The following Bluetooth mark and QD ID B019621 is only applicable to models with the Bluetooth SIG qualification.



### **Warning**

#### **Lithium-Ion Battery pack**

<Warning> The battery has the potential risk of overheating, fire and/or explosion. To avoid such risks, observe the following instructions:

- A visibly swollen battery may be dangerous. Contact BIXOLON or your local dealer.
- Only use an eligible charger.
- Keep away from open flames. (Do not place in a microwave.)
- Do not leave the battery pack inside a vehicle in summertime.
- Do not store or use in a hot and humid place like a sauna with sleeping rooms.
- Do not place the battery pack on a quilt, an electric blanket or a carpet for a long time.
- Do not store the battery pack switched on in an enclosed place for a long time.
- Do not allow the battery port to touch metal items, such as necklace, coin, key or clock etc.
- Use the lithium secondary cell guaranteed by mobile phone manufacturer or BIXOLON.
- Do not disassemble, compress or pierce the battery pack.
- Do not drop the battery pack from a high place or subject it to strong shock.
- Do not expose the battery to high temperatures over 60°C.
- Do not expose to humidity.

## **Disposal Directions**

- Do not dispose of waste battery packs recklessly.
- Do not burn or throw in fire to dispose of the battery pack.  
There is a risk of fire and/or explosion.
- How to dispose of battery packs may vary depending on countries or regions.  
Dispose of it in the correct method.

## **Recommendation for Charging**

- Do not charge your battery pack in a way not mentioned in the instruction manual.  
Doing so may result in fire or explosion.

## **FCC compliance Information**

This device complies with part 15 of FCC Rules. Operation is subject to the following two conditions: (1) This device may not cause harmful interference, and (2) This device must accept any interference received, including interference that may cause undesired operation.

## **Information to the user**

NOTE: This equipment has been tested and found to comply with the limits for a Class B digital device, pursuant to part 15 of the FCC Rules.

These limits are designed to provide reasonable protection against harmful interference in a residential installation.

This equipment generates, uses and can radiate radio frequency energy and, if not installed and used in accordance with the instructions, may cause harmful interference to radio communications. However, there is no guarantee that interference will not occur in a particular installation. If this equipment does cause harmful interference to radio or television reception, which can be determined by turning the equipment off and on, the user is encouraged to try to correct the interference by one or more of the following measures:

- Reorient or relocate the receiving antenna.
- Increase the separation between the equipment and receiver.
- Connect the equipment into an outlet on a circuit different from that to which the receiver is connected.
- Consult the dealer or an experienced radio/TV technician for help.

This device is not intended for use in the direct field of view at visual display workplace. To avoid incommoding reflexions at visual display workplaces this device must not be placed in the direct field of view

## **8-3 Label Types**

The labels used on this product are composed of the following materials;

- BIXOLON logo label: PC
- Rating Label: PP
- Other labels: PET