

# TM-T88V-i (TM-i Firmware Ver.4.0 or later)

## Technical Reference Guide

---

### Product Overview

Describes features for the product.

### Setup

Describes setup and installation of the product and peripherals.

### Application Development Information

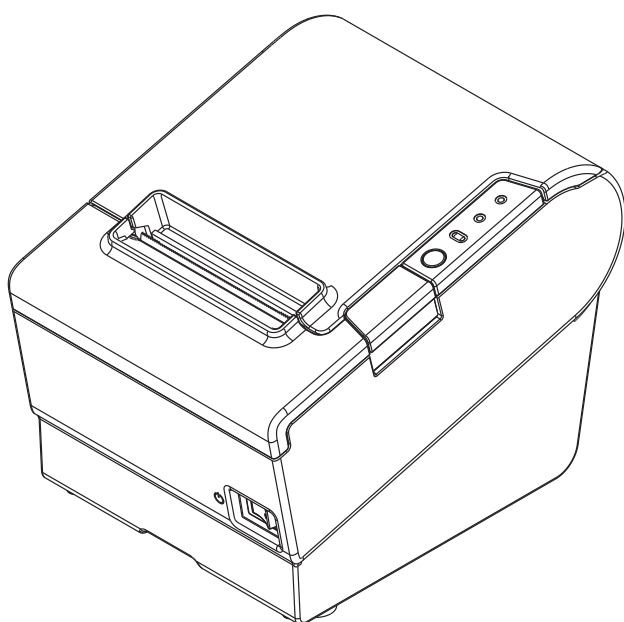
Describes how to control the printer and necessary information when you develop applications.

### Handling

Describes how to handle the product.

### Appendix

Describes general specifications and character code tables.



## Cautions

- No part of this document may be reproduced, stored in a retrieval system, or transmitted in any form or by any means, electronic, mechanical, photocopying, recording, or otherwise, without the prior written permission of Seiko Epson Corporation.
- The contents of this document are subject to change without notice. Please contact us for the latest information.
- While every precaution has been taken in the preparation of this document, Seiko Epson Corporation assumes no responsibility for errors or omissions.
- Neither is any liability assumed for damages resulting from the use of the information contained herein.
- Neither Seiko Epson Corporation nor its affiliates shall be liable to the purchaser of this product or third parties for damages, losses, costs, or expenses incurred by the purchaser or third parties as a result of: accident, misuse, or abuse of this product or unauthorized modifications, repairs, or alterations to this product, or (excluding the U.S.) failure to strictly comply with Seiko Epson Corporation's operating and maintenance instructions.
- Seiko Epson Corporation shall not be liable against any damages or problems arising from the use of any options or any consumable products other than those designated as Original Epson Products or Epson Approved Products by Seiko Epson Corporation.

## Trademarks

EPSON is a registered trademark of Seiko Epson Corporation.

Exceed Your Vision and ESC/POS are registered trademarks or trademarks of Seiko Epson Corporation.

Windows is registered trademarks or trademarks of Microsoft Corporation in the United States and other countries.

microSD is registered trademarks of SD Card Association.

Wi-Fi<sup>®</sup>, WPA<sup>™</sup>, and WPA2<sup>™</sup> are either registered trademarks or trademarks of Wi-Fi Alliance<sup>®</sup>.

QR Code<sup>®</sup> is a registered trademark of DENSO Wave Incorporated.

Android<sup>™</sup> is a trademark of Google Inc.

IOS<sup>®</sup> is a trademark or registered trademark of Cisco in the U.S. and other countries and is used under license.

All other trademarks are the property of their respective owners and used for identification purpose only.

## ESC/POS<sup>®</sup> Command System

Epson ESC/POS is a proprietary POS printer command system that includes patented or patent-pending commands.

ESC/POS is compatible with most Epson POS printers and displays.



ESC/POS is designed to reduce the processing load on the host computer in POS environments. It comprises a set of highly functional and efficient commands and also offers the flexibility to easily make future upgrades.

© Seiko Epson Corporation 2014-2016. All rights reserved.

# For Safety

## Key to Symbols

The symbols in this manual are identified by their level of importance, as defined below. Read the following carefully before handling the product.

 <b>WARNING</b>	You must follow warnings carefully to avoid serious bodily injury.
 <b>CAUTION</b>	Provides information that must be observed to prevent damage to the equipment or loss of data. <ul style="list-style-type: none"><li>• Possibility of sustaining physical injuries.</li><li>• Possibility of causing physical damage.</li><li>• Possibility of causing information loss.</li></ul>
<b>CAUTION</b>	Provides information that must be observed to avoid damage to your equipment or a malfunction.
<b>NOTE</b>	Provides important information and useful tips.

## Warnings



### WARNING

- **To avoid risk of electric shock, do not set up this product or handle cables during a thunderstorm**
- **Never insert or disconnect the power plug with wet hands.**  
Doing so may result in electric shock.
- **Handle the power cable with care.**  
Improper handling may lead to fire or electric shock.
  - \* Do not modify or attempt to repair the cable.
  - \* Do not place any heavy object on top of the cable.
  - \* Avoid excessive bending, twisting, and pulling.
  - \* Do not place the cable near heating equipment.
  - \* Check that the plug is clean before plugging it in.
  - \* Be sure to push the plug all the way in.
- **Be sure to use the specified power source.**  
Connection to an improper power source may cause fire or electric shock.
- **Do not place multiple loads on the power outlet.**  
Overloading the outlet may lead to fire.
- **Shut down your equipment immediately if it produces smoke, a strange odor, or unusual noise.**  
Continued use may lead to fire. Immediately unplug the equipment and contact your dealer or a Seiko Epson service center for advice.
- **Never attempt to repair this product yourself.**  
Improper repair work can be dangerous.
- **Never disassemble or modify this product.**  
Tampering with this product may result in injury or fire.
- **Do not allow foreign matter to fall into the equipment.**  
Penetration by foreign objects may lead to fire.
- **If water or other liquid spills into this equipment, do not continue to use it.**  
Continued use may lead to fire. Unplug the power cord immediately and contact your dealer or a Seiko Epson service center for advice.
- **If you open the DIP switch cover, be sure to close the cover and tighten the screw after adjusting the DIP switch.**  
Using this product with the cover open may cause fire or electric shock.
- **Do not use aerosol sprayers containing flammable gas inside or around this product.**  
Doing so may cause fire.

## Cautions



- **Do not connect cables in ways other than those mentioned in this manual.**  
Different connections may cause equipment damage or fire.
- **Be sure to set this equipment on a firm, stable, horizontal surface.**  
The product may break or cause injury if it falls.
- **Do not use this product in locations subject to high humidity or dust levels.**  
Excessive humidity and dust may cause equipment damage or fire.
- **Do not place heavy objects on top of this product. Never stand or lean on this product.**  
Equipment may fall or collapse, causing breakage and possible injury.
- **Take care not to injure your fingers on the manual cutter**
  - \* When you remove printed paper
  - \* When you perform other operations such as loading/replacing roll paper
- **Do not open the roll paper cover without taking the necessary precautions, as this can result in injury from the autocutter fixed blade.**
- **To ensure safety, unplug this product before leaving it unused for an extended period.**
- **Do not knock or strike the printer. This may cause defective print.**
- **Do not catch cables or place foreign matter under the printer.**
- **Use the UL-approved peripherals (only for North American users).**

## *Restriction of Use*

When this product is used for applications requiring high reliability/safety, such as transportation devices related to aviation, rail, marine, automotive, etc.; disaster prevention devices; various safety devices, etc.; or functional/precision devices, etc., you should use this product only after giving consideration to including fail-safes and redundancies into your design to maintain safety and total system reliability. Because this product was not intended for use in applications requiring extremely high reliability/safety, such as aerospace equipment, main communication equipment, nuclear power control equipment, or medical equipment related to direct medical care, etc., please make your own judgment on this product's suitability after a full evaluation.

# About this Manual

## Aim of the Manual

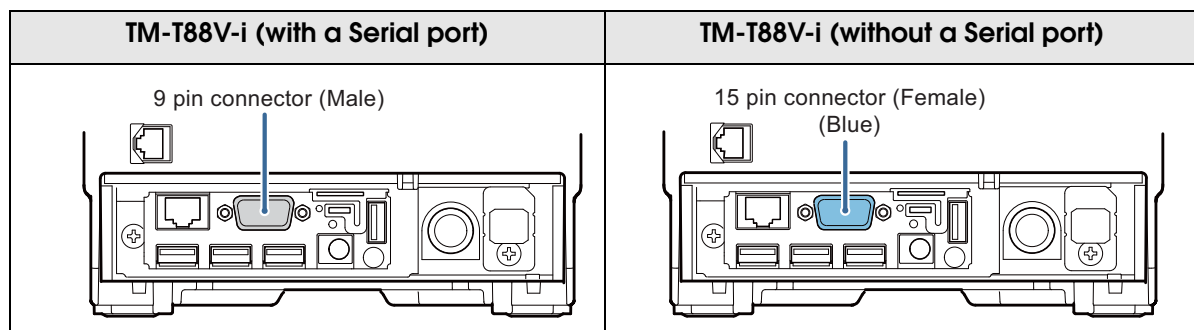
This manual aims to provide all the information necessary for the development, design, and installment of POS systems, order entry systems, and other receipt issuing systems that use TM-T88V-i.

TM-T88V-i provides different available functions depending on the product specification and TM-i Firmware version.

Refer to an appropriate Technical Reference Guide described in the following table.

TM-T88V-i product specifications *1	TM-i Firmware Version *2	Technical Reference Guide to be used
TM-T88V-i (with a Serial port)	Ver.4.0 or later	TM-T88V-i (TM-i Firmware Ver.4.0 or later) Technical Reference Guide (This document)
TM-T88V-i (without a Serial port)	Ver.4.0 or later	TM-T88V-i (TM-i Firmware Ver.4.0 or later) Technical Reference Guide (This document)
	Ver.3.x or earlier	TM-T88V-i Technical Reference Guide

\*1: You can check the rear of the printer for the availability of serial ports.



\*2: For TM-T88V-i (without Serial port), print a status sheet to confirm whether the version of TM-i Firmware is 4.0 or later. Make sure that this product is ready to print (the paper is set and the power is turned on), and hold down the push button at the rear of this product for at least 3 seconds before releasing it.

(See ["Confirming with a status sheet" on page 59.](#))

TM-i Firmware Ver.4.0 or later	TM-i Firmware Ver.3.x or earlier
<pre>***** EPSON Status Sheet *****  &lt;General Information&gt; Firmware X.XX ePOS-Device X.XX Model TM-T88V-i Time</pre> <p>"Firmware" (TM-i Firmware Version) is printed under &lt;General Information&gt;.</p>	<pre>***** EPSON Status Sheet *****  &lt;General Information&gt; Software X.XX Model TM-T88V-i Time yyyy-mm-dd hh:mm:ss</pre> <p>"Software" (TM-i Firmware Version) is printed under &lt;General Information&gt;.</p>

---

## Manual Content

The manual is made up of the following sections:

Chapter 1	<a href="#">Product Overview</a>
Chapter 2	<a href="#">Setup</a>
Chapter 3	<a href="#">Application Development Information</a>
Chapter 4	<a href="#">Handling</a>
Appendix	<a href="#">Product Specifications</a> <a href="#">Option Specifications</a> <a href="#">Setting Items for Software Setting Mode</a> <a href="#">Character Code Tables</a>

# Contents

■ <b>For Safety</b> .....	<b>3</b>
Key to Symbols .....	3
Warnings .....	4
Cautions .....	5
■ <b>Restriction of Use</b> .....	<b>5</b>
■ <b>About this Manual</b> .....	<b>6</b>
Aim of the Manual .....	6
Manual Content .....	7
■ <b>Contents</b> .....	<b>8</b>

---

## **Product Overview** .....

**13**

■ <b>Features</b> .....	<b>13</b>
■ <b>Product Configurations</b> .....	<b>15</b>
Bundled items .....	15
Options .....	15
■ <b>Part Names and Functions</b> .....	<b>16</b>
Power Switch .....	16
Power Switch Cover .....	16
Roll paper cover / Cover open button .....	17
Cutter cover .....	17
Control Panel .....	17
Interfaces .....	18
Status LED .....	20
Push Button .....	20
Wired LAN Status LED .....	21
Wireless LAN cable set (optional) LED .....	21
■ <b>Online and Offline</b> .....	<b>22</b>
Online .....	22
Offline .....	22
■ <b>Error Status</b> .....	<b>23</b>
Automatically Recoverable Errors .....	23
Recoverable Errors .....	23
Unrecoverable Errors .....	24
■ <b>NV Memory</b> .....	<b>25</b>
NV Graphics Memory .....	25
Memory Switches (Customized Value) .....	25
R/E (Receipt Enhancement) .....	25
Maintenance Counter .....	26



<b>Setup</b> .....	<b>27</b>
■ <b>Flow of Setup</b> .....	<b>27</b>
■ <b>Installing the Product</b> .....	<b>32</b>
Important Notes.....	32
■ <b>Setting the DIP Switches</b> .....	<b>33</b>
Setting Procedure.....	33
Functions .....	34
■ <b>Changing the Paper Width</b> .....	<b>36</b>
■ <b>Adjusting the Paper Roll Near-End Sensor</b> .....	<b>38</b>
■ <b>Installing the microSD Card</b> .....	<b>39</b>
■ <b>Connecting the Product to the Network</b> .....	<b>40</b>
For Wired LAN connection .....	40
For Wireless LAN Interface .....	40
■ <b>Connecting the Peripherals</b> .....	<b>43</b>
Connecting the Customer Display .....	43
Connecting the Optional External Buzzer .....	44
Connecting the Serial Communication Device .....	47
Key Input Device via a USB Interface.....	47
Connecting the Cash Drawer.....	48
■ <b>Connecting the AC Adapter</b> .....	<b>50</b>
■ <b>Attaching the Connector Cover</b> .....	<b>51</b>
■ <b>Attaching the Power Switch Cover</b> .....	<b>53</b>
■ <b>Setting the Memory Switches (Customized Value)</b> .....	<b>54</b>
Functions .....	55
■ <b>Network Setting</b> .....	<b>57</b>
Confirming Network Setting .....	59
Initializing the Network Setting .....	60
■ <b>Enabling PHP</b> .....	<b>62</b>
■ <b>Enabling HTTPS Communication</b> .....	<b>63</b>
■ <b>Settings for Server Direct Print</b> .....	<b>64</b>
■ <b>Settings for Connected Devices</b> .....	<b>65</b>
■ <b>Registering Web Contents</b> .....	<b>67</b>
Creating Web Contents .....	67
Specifications for when PHP is enabled.....	68
Verifying the integrity of Web contents with md5 files .....	69
Certificate files .....	69
Registering Web Contents.....	70
■ <b>Settings for Spooler</b> .....	<b>72</b>
■ <b>Settings for Print Forwarding</b> .....	<b>73</b>
■ <b>Settings for Device Data Notification</b> .....	<b>74</b>

## Application Development Information..... 75

■ <b>Controlling the Printer</b> .....	<b>75</b>
Epson ePOS SDK .....	76
ePOS-Device XML.....	77
ePOS-Print XML.....	79
Server Direct Print .....	80
Device Data Notification.....	81
Web Server .....	82
Spooler and Print Forwarding.....	83
■ <b>Software and Manuals</b> .....	<b>86</b>
How to Get Manuals and the Utility .....	88
■ <b>EPSON TMNet WebConfig</b> .....	<b>89</b>
Starting EPSON TMNet WebConfig .....	89
Help Screen Display .....	89
Version Screen Display .....	89
General Information.....	90
Information - Wired - TCP/IP .....	91
Information - Wireless - TCP/IP .....	92
Information - Web Contents.....	92
Information - Time.....	93
Web Service Settings - Device Admin - Printer.....	93
Web Service Settings - Device Admin - Customer Display .....	94
Web Service Settings - Device Admin - Key Input Device .....	94
Web Service Settings - Device Admin - Serial Communication Device .....	95
Web Service Settings - Device Admin - Search Printer .....	95
Web Service Settings - Spooler - Settings.....	96
Web Service Settings - Spooler - Print forwarding .....	96
Web Service Settings - Web Contents - Update Settings.....	97
Web Service Settings - Server Access - Direct Print .....	98
Web Service Settings - Server Access - Status Notification.....	99
Web Service Settings - Server Access - Device Data Notification.....	100
System Settings - Network - Wired .....	101
System Settings - Network - Wired - TCP/IP .....	101
System Settings - Network - Wireless .....	102
System Settings - Network - Wireless - TCP/IP .....	103
System Settings - Security - Authenticate Server.....	103
System Settings - Security - SSL.....	104
System Settings - Proxy - Proxy .....	104
System Settings - Time - Time .....	105
Admin Settings - Maintenance - Reset .....	105
Admin Settings - Administrator Information - Administrator .....	106
Admin Settings - Administrator Information - Password.....	106
PHP settings .....	107
■ <b>Status sheet</b> .....	<b>108</b>
■ <b>Setting/Checking Modes</b> .....	<b>114</b>
Self-test Mode .....	114
NV Graphics Print Mode.....	115
Receipt Enhancement Information Print Mode.....	116
Software Setting Mode .....	117
Hexadecimal Dumping Mode .....	120
■ <b>Easy Setup</b> .....	<b>121</b>

■ <b>Checking/Updating TM-i Firmware</b> .....	<b>122</b>
Checking the TM-i Firmware Version.....	122
Updating TM-i Firmware .....	122

---

## **Handling** ..... **123**

■ <b>Installing and Replacing Roll Paper</b> .....	<b>123</b>
■ <b>Removing Jammed Paper</b> .....	<b>125</b>
■ <b>Cleaning the Printer</b> .....	<b>126</b>
Cleaning the Printer Case.....	126
Cleaning the Thermal Head/Platen Roller .....	126
■ <b>Preparing for Transport</b> .....	<b>127</b>

---

## **Appendix**..... **129**

■ <b>Product Specifications</b> .....	<b>129</b>
Software Specifications .....	130
Controllable Peripherals.....	131
Printing Specifications .....	132
Character Specifications .....	133
Printable Area .....	134
Printing and Cutting Positions .....	136
Paper Specifications.....	136
Electrical Characteristics .....	137
Environmental Conditions .....	138
External Dimensions and Mass .....	139
AC Adapter,RA .....	140
■ <b>Option Specifications</b> .....	<b>140</b>
Wireless LAN Cable Set (OT-WL01) .....	140
Customer Display (DM-D110) .....	140
■ <b>Setting Items for Software Setting Mode</b> .....	<b>141</b>
■ <b>Character Code Tables</b> .....	<b>144</b>



# Product Overview

This chapter describes features of the product.

## Features

TM-T88V-i is a receipt printer which can print directly from a smart device application or Web application.

This product supports ePOS-Device <sup>\*1</sup> and ePOS-Print <sup>\*2</sup> and are capable of controlling POS peripherals or network compatible TM printers.

<sup>\*1</sup>: ePOS-Device: Epson original technology to control TM printers or POS peripherals via a smart device application or Web application. This technology is realized by ePOS-Device Service running on the products.

<sup>\*2</sup>: ePOS-Print: Epson original printing function that has a high compatibility with a variety of systems supported by XML and Web services. This technology is realized by the ePOS-Print Service running on the products.

---

## Functions

- Enables connection to peripherals (customer displays, barcode scanners, etc) via a USB or serial <sup>\*1</sup> interface.
- The Epson ePOS SDK is provided for iOS, Android and Windows application, and Web application development.  
The Epson ePOS SDK is a software development kit that integrates the ePOS-Print SDK and the ePOS-Device SDK. It is recommended that application software developed with the ePOS-Device SDK is migrated to the Epson ePOS SDK. For detail, refer to the Migration Guide included with the Epson ePOS SDK.
- Uses the communication box <sup>\*2</sup> function to enable communications between applications. This function allows for communications, etc. between tablet terminals. (Epson ePOS SDK, ePOS-Device XML)
- Supports Server Direct Print that sends a request for print data from the product to the Web server at regular intervals.
- Since print data can be saved in the spooler, applications can be released from processing print jobs regardless of the printer status. <sup>\*3</sup>
- When a network printer is registered, print forwarding process can be realized. Also, if the printer is not ready to print, you can print from another printer. <sup>\*3</sup>
- Device data notification function is realized, allowing for notifications to be sent from devices such as barcode scanners to Web servers to trigger applications. <sup>\*3</sup>
- Equipped with Web server that supports the scripting language "PHP" and database "SQLite3".
- Enables HTTPS <sup>\*4</sup> communication.
- Supports TLS1.2. SSL3.0 is not supported. <sup>\*5</sup>

\*1: Not available for TM-T88V-i (without a Serial port).

\*2: For more information on the communication box, see the User's Manuals for the Epson ePOS SDK, or the ePOS-Device XML User's Manual.

\*3: TM-i firmware Ver. 4.1 or later.

\*4: TM-i firmware Ver. 4.3 or later.

\*5: TM-i firmware Ver. 4.4 or later.

**NOTE**

For information on how to use these functions, see ["Controlling the Printer" on page 75](#).

# Product Configurations

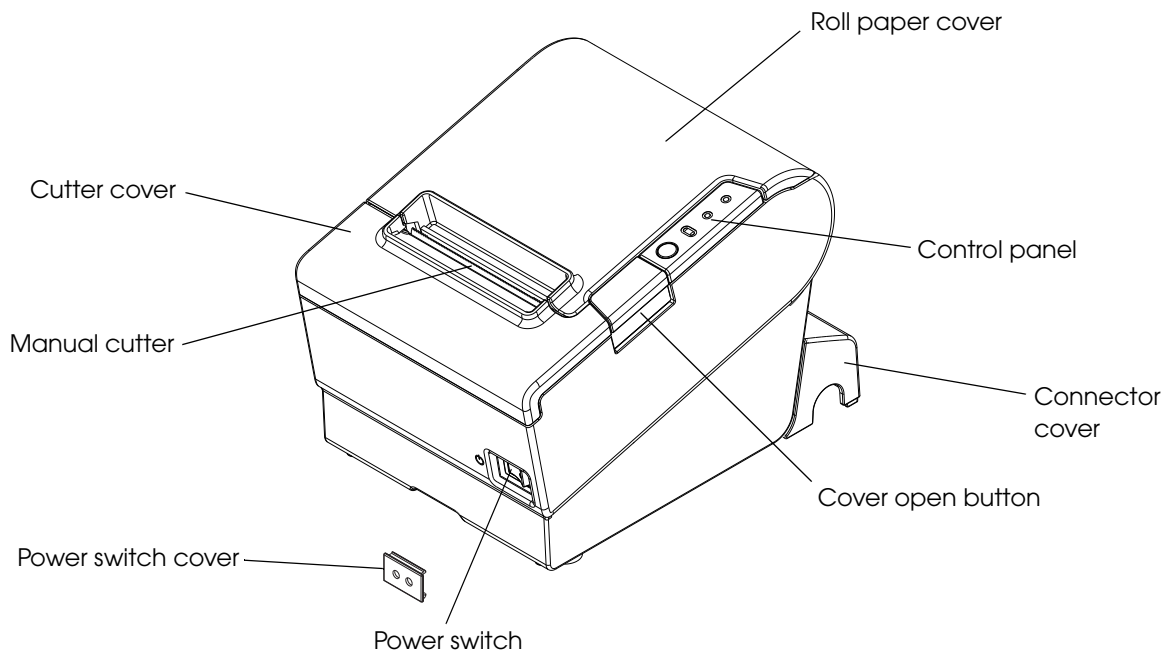
## Bundled items

- AC adapter,RA
  - AC cable \*
  - Roll paper (for operation check)
  - Connector cover
  - Power switch cover
  - Roll paper guide for 58 mm width paper
  - Two strips for the roll paper guide
  - Screw for the roll paper guide
  - Start Here
  - Manual CD
- \* May not be included depending on the areas and models.

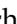
## Options

- Affixing tape for fixing the printer (Model: DF-10)
- Buzzer unit (Model: OT-BZ20)
- Wireless LAN cable set (Model: OT-WL01)
- Customer display (Model: DM-D110)

# Part Names and Functions



## Power Switch

Turns the printer on or off. The marks on the switch: (  : OFF/ | : ON)



**Before turning on the product, be sure to check that the AC adapter is connected to the power supply.**



After the product is turned on, it requires about 30 seconds until it is ready to print.

## Power Switch Cover

Install the power switch cover that comes with the TM-T88V-i onto the printer to prevent inadvertent changing of the power switch, to prevent tampering, and to improve the appearance of the printer.

To operate the power switch, insert an object with a pointed tip such as a ballpoint pen into the hole on the power switch cover.



**If an accident occurs with the power switch cover attached, unplug the power cord immediately.**

Continued use of the printer may cause fire or electric shock.



## Roll paper cover / Cover open button

When setting or replacing the roll paper, press the cover open button to open the roll paper cover.

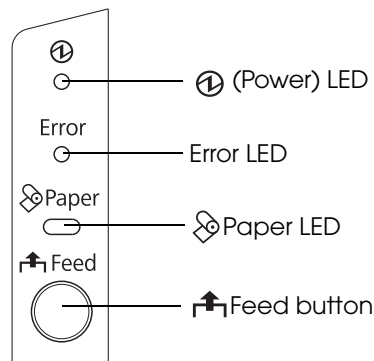
### NOTE

Do not open the roll paper cover during printing or while the autocutter is operating.

## Cutter cover

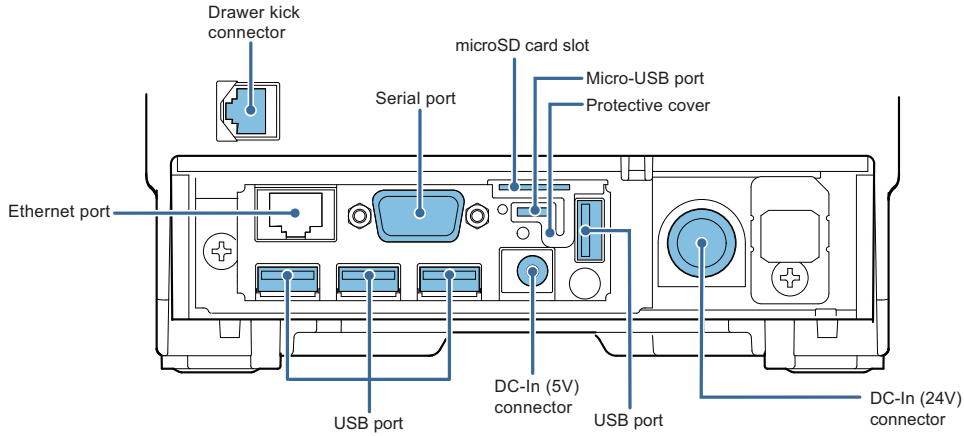
The autocutter is inside the cutter cover. Open the cover when roll paper is jammed in the printer or to return the cutter blade manually.

## Control Panel



Name	Status	Description
Ⓢ (Power) LED	On	Power is being supplied.
	Off	Power is not being supplied.
Error LED	Off	Normal operation (online)
	On	<ul style="list-style-type: none"> <li>Immediately after the power is turned on or immediately after a reset (offline). Automatically goes off after a while to indicate that the printer is ready.</li> <li>The end of the roll paper is detected, and when printing has stopped (offline). If this happens, replace the roll paper.</li> </ul>
	Flashing	An error has occurred (For details about the flash codes, see <a href="#">"Error Status" on page 23.</a> )
Ⓢ Paper LED	Off	There is a sufficient amount of roll paper remaining.
	On	There is little or no roll paper remaining.
	Flashing	A self-test printing standby state and macro execution standby state
Ⓢ Feed button		Pressing this button once feeds the roll paper by one line. Holding this button down feeds the roll paper continuously.

## With a Serial port



Name	Description
Drawer kick connector	Connects a cash drawer or the optional buzzer unit.
Ethernet port	Connect the LAN cable here to connect to the network.
USB port (Type A)	Connects peripherals via a USB interface.
Micro-USB port (Type Micro-AB)	Connects a computer when setting the product with TM-T88V Utility.
DC-In (5V) connector	Connects a AC adapter,RA.
DC-In (24V) connector	Connects a AC adapter,RA.
microSD card slot	When using the PHP function.
Serial port	Connects a serial communication device.

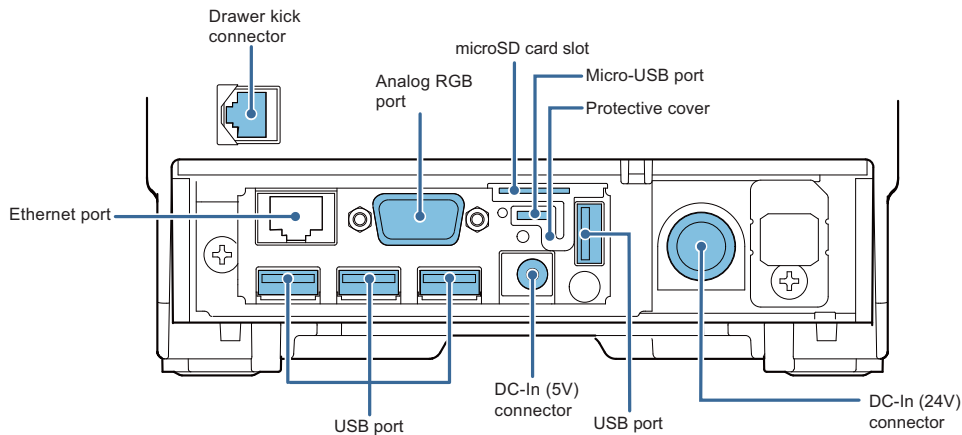


- When connecting **USB interface devices**, make sure to check the devices or manuals, etc. for current consumption. The total value should be 2.0 A or less. Never use devices that provide no information on current consumption.
- Make sure that the protective cover is securely fit into place while the product is operating.
- For Ethernet ports, make sure that the outdoor aerial LAN cables are connected through a surge protector. Failure to do so may lead to device error resulting from indirect lightning.



For the Micro-USB port, use a Micro-USB (Type Micro-B) cable.

## Without a Serial port



Name	Description
Drawer kick connector	Connects a cash drawer or the optional buzzer unit.
LAN connector	Connect the LAN cable here to connect to the network.
USB connector (for optional products)	Connects optional products.
Micro-USB connector (for optional products)	Connects the product to a computer to set up the product.
Power supply connector for DC 5V	Connects a AC adapter, RA.
Power supply connector for DC 24V	Connects a AC adapter, RA.
microSD card slot	When using the PHP function with the firmware version 2.0 or later.
Analog RGB port	Currently not available.



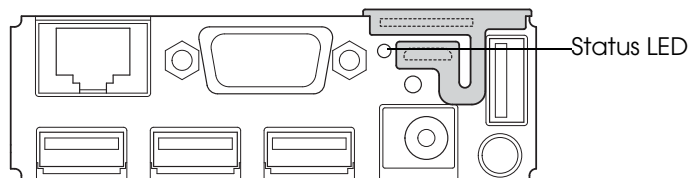
- **When connecting USB interface devices, make sure to check the devices or manuals, etc. for current consumption. The total value should be 2.0 A or less. Never use devices that provide no information on current consumption.**
- **Make sure that the protective cover is securely fit into place while the product is operating.**
- **For Ethernet ports, make sure that the outdoor aerial LAN cables are connected through a surge protector. Failure to do so may lead to device error resulting from indirect lightning.**



For the Micro-USB port, use a Micro-USB (Type Micro-B) cable.

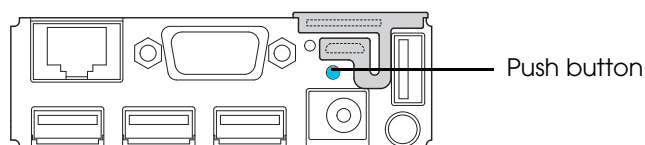
## Status LED

With the status LED on the rear of the product, you can check the interface board status.



LED	Description
On (Green)	Operating normally.
On (Orange)	Starting up. If the status LED is on in orange even after 30 seconds have passed since the printer is turned on, repair is required.
Off	Power is not turned on. If the status LED is off even if the printer is turned on, repair is required.

## Push Button



Press the push button with a thin object such as a tweezers.

The push button has the following functions:

- Status sheet printing:

Make sure the product is turned on, press the push button for approximately 3 seconds. When you release the button, a status sheet on which network parameters are printed will be ejected. (See ["Confirming with a status sheet" on page 59.](#))

- Initialization:

Make sure the product is turned on, press the push button for approximately 10 seconds. When you release the button, network setting (Wired LAN/ Wireless LAN) will be initialized. (See ["Initializing the Network Setting" on page 60.](#))

### CAUTION

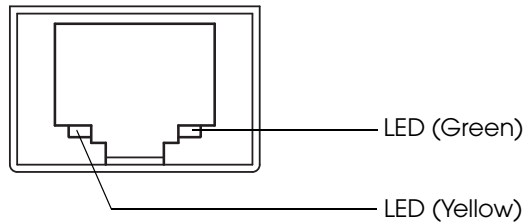
To print a status sheet, release the push button within 10 seconds. If the button is kept down for 10 seconds or more, the network setting will be initialized.

### NOTE

- Press the push button after the status LED color has changed from orange to green. After the printer is turned on, it takes about 20 to 30 seconds until the status LED color changes to green.
- Even if the button is pressed while the status LED is on in orange, the button will not operate.

## Wired LAN Status LED

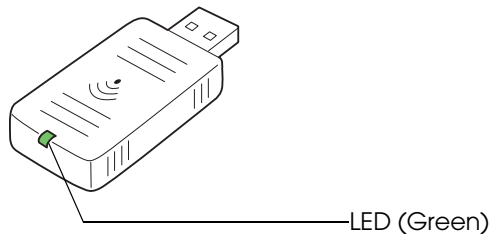
With the Wired LAN Status LED on the rear of the product, you can check the communication status of the product.



LED	Status	Description
Green	On	Link established
	Flashing	Transmitting/receiving data
	Off	Link not established
Yellow	On	100BASE-TX
	Off	10BASE-T

## Wireless LAN cable set (optional) LED

With the LED on the wireless LAN unit, you can check the communication status of the product.



LED	Description
Off	The wireless LAN unit is not connected to the product. Or the product power is OFF.
Flashing	This wireless LAN unit is connected to the product and is in operation.
Flashing rapidly	This wireless LAN unit is connected to the product and is in operation. This unit is communicating on a network.

---

## Online and Offline

### Online

When no events to go offline have occurred, the printer is online and ready for normal printing.

### Offline

The printer automatically goes offline under the following conditions:

- During power on (including resetting with the interface) until the printer is ready
- During the self-test
- When the roll paper cover is open.
- While roll paper is fed using the Feed button.
- When printing stops due to end of paper. (When the roll paper end sensor detects the end of paper or the printer is set so that printing stops upon detection of roll paper near-end.)
- Macro execution standby state
- When an error has occurred



## Error Status

There are three possible error types: automatically recoverable errors, recoverable errors, and unrecoverable errors. Check the error LED flash code.

When connection to peripherals fails, check the status LEDs at the lower rear of the product.

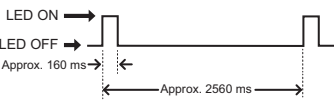
### Automatically Recoverable Errors

Printing is no longer possible when automatically recoverable errors occur. They can be recovered easily, as described below.

Error	Error description	Error LED flash code	Recovery measure
Roll paper cover open error	The roll paper cover was opened during printing.		Recovers automatically when the roll paper cover is closed.
Print head temperature error	A high temperature outside the head drive operating range was detected.		Recovers automatically when the print head cools.

### Recoverable Errors

Printing is no longer possible when recoverable errors occur. They can be recovered easily by turning the power on again after eliminating the cause of the error.

Error	Error description	Error LED flash code	Recovery measure
Autocutter error	Autocutter does not work correctly.		Remove the jammed paper or foreign matter in the printer, close the roll paper cover, and then turn the power on to recover.

## Unrecoverable Errors

If the same error occurs again even after turning the power back on, contact your dealer or a Epson service center.



**Turn off the power immediately when unrecoverable errors occur.**

Error	Error description	Error LED flash code
Memory R/W error	After R/W checking, the printer does not work correctly.	<p>LED ON → [Pulse] → [On for ~160ms] → [Off]</p> <p>LED OFF → [Pulse] → [On for ~160ms] → [Off]</p> <p>Approx. 160 ms → ←</p>
High voltage error	The power supply voltage is extremely high.	<p>LED ON → [Pulse] → [Pulse] → [On for ~160ms] → [Off]</p> <p>LED OFF → [Pulse] → [Pulse] → [On for ~160ms] → [Off]</p> <p>Approx. 160 ms → ←</p>
Low voltage error	The power supply voltage is extremely low.	<p>LED ON → [Pulse] → [Pulse] → [Pulse] → [On for ~160ms] → [Off]</p> <p>LED OFF → [Pulse] → [Pulse] → [Pulse] → [On for ~160ms] → [Off]</p> <p>Approx. 160 ms → ←</p>
CPU execution error	The CPU is executing an incorrect address.	<p>LED ON → [Pulse] → [Pulse] → [Pulse] → [Pulse] → [On for ~160ms] → [Off]</p> <p>LED OFF → [Pulse] → [Pulse] → [Pulse] → [Pulse] → [On for ~160ms] → [Off]</p> <p>Approx. 160 ms → ←</p>
Internal circuit connection error	Internal circuits are not connected correctly.	<p>LED ON → [On for ~2560ms] → [Off]</p> <p>LED OFF → [On for ~2560ms] → [Off]</p> <p>Approx. 160 ms → ←</p> <p>Approx. 2560 ms → ←</p>



# NV Memory

The product's NV memory (Non-Volatile Memory) stores data even after the product power is turned off. NV memory contains the following memory areas for the user:

- NV graphics memory
- Memory switches (customized value)
- R/E (Receipt Enhancement)
- Maintenance counter



As a guide, NV memory rewriting should be 10 times or less a day when you program applications.

## NV Graphics Memory

Graphics, such as shop logos to be printed on receipts, can be stored.

Use the TM-T88V Utility to register graphics.

To check the registered graphics, select [Operation Check] - [Print Logo] in TM-T88V Utility.

### NOTE

- For detailed information about the TM-T88V Utility, see the TM-T88V Utility User's Manual.
- For information about how to use the NV graphics memory print mode, see "[NV Graphics Print Mode](#)" on page 115.

## Memory Switches (Customized Value)

With the memory switches (customized value), which are software switches for the product, you can set paper width, print density, font, power supply unit capacity, automatic paper cut, and paper reduction. See "[Setting the Memory Switches \(Customized Value\)](#)" on page 54.

## R/E (Receipt Enhancement)

Graphics, such as shop logos can be printed on top or bottom of receipts by setting R/E (Receipt Enhancement). For detail, refer to the TM-T88V Utility User's Manual.

---

## Maintenance Counter

With this function, printer information, such as the number of line feeds, the number of autocuts, and product operation time after the printer starts working, is automatically stored in NV memory. You can read the information with the TM-T88V Utility or in a self-test to use it for periodical checks or part replacement.

# Setup

This chapter describes the installation and setup procedure of the product and peripherals required to use the product.

You can utilize "Easy Setup", which enables settings to the TM-i to be made in a simple manner using a USB memory that contains a file of EPSON TMNet WebConfig setting values.

For detail, refer the "TM-i series Easy Setup Guide".

## *Flow of Setup*

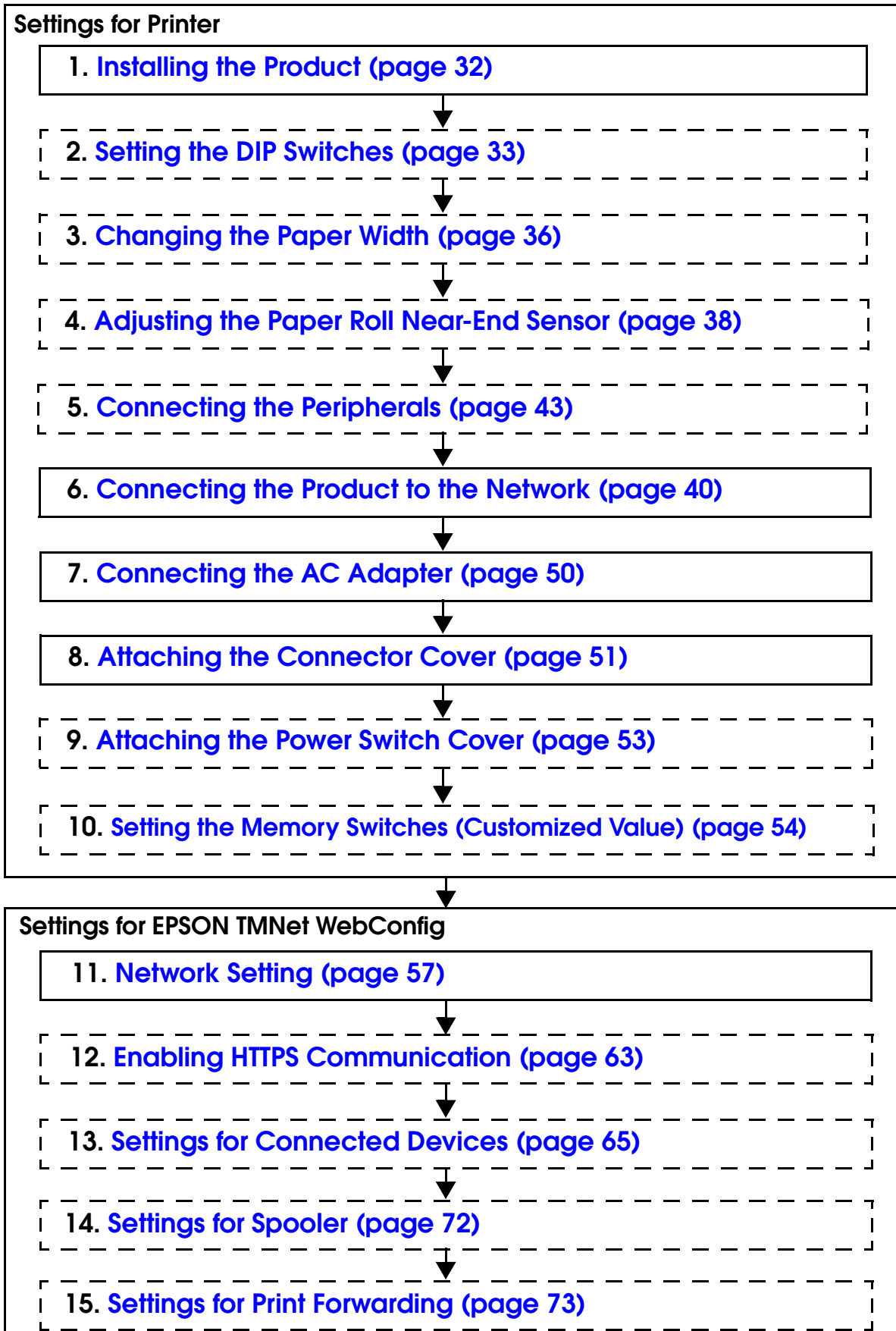
The setting items are different depending on the system to be used. Check the items by referring to "[Controlling the Printer](#)" on page 75.

- Epson ePOS SDK, ePOS-Device XML, ePOS-Print XML ([page 28](#))
- Server Direct Print ([page 29](#))
- Device Data Notification ([page 30](#))
- Using This Product as a Web Server ([page 31](#))

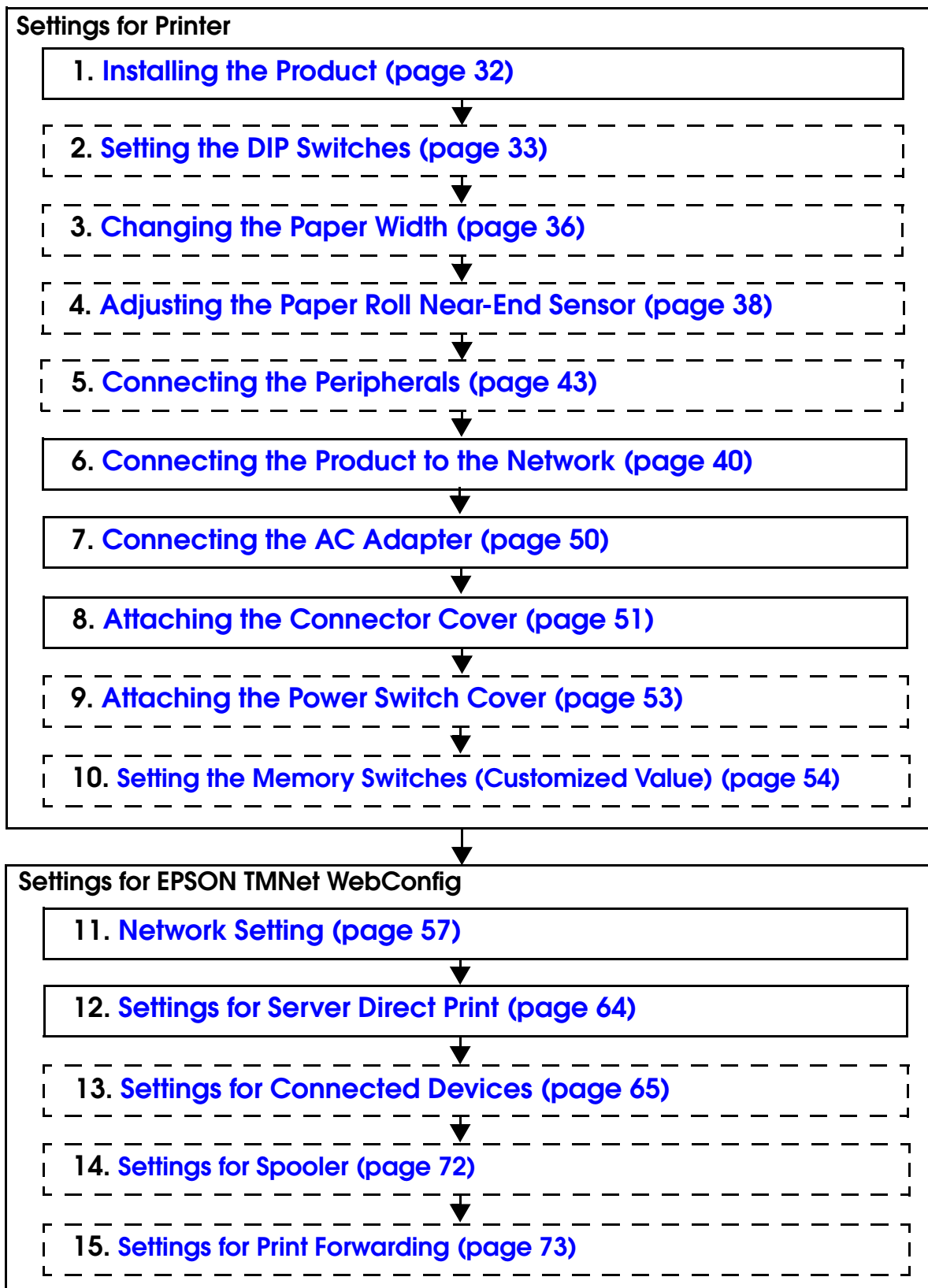
This chapter consists of the following sections along with the setup flow of the product and peripherals.

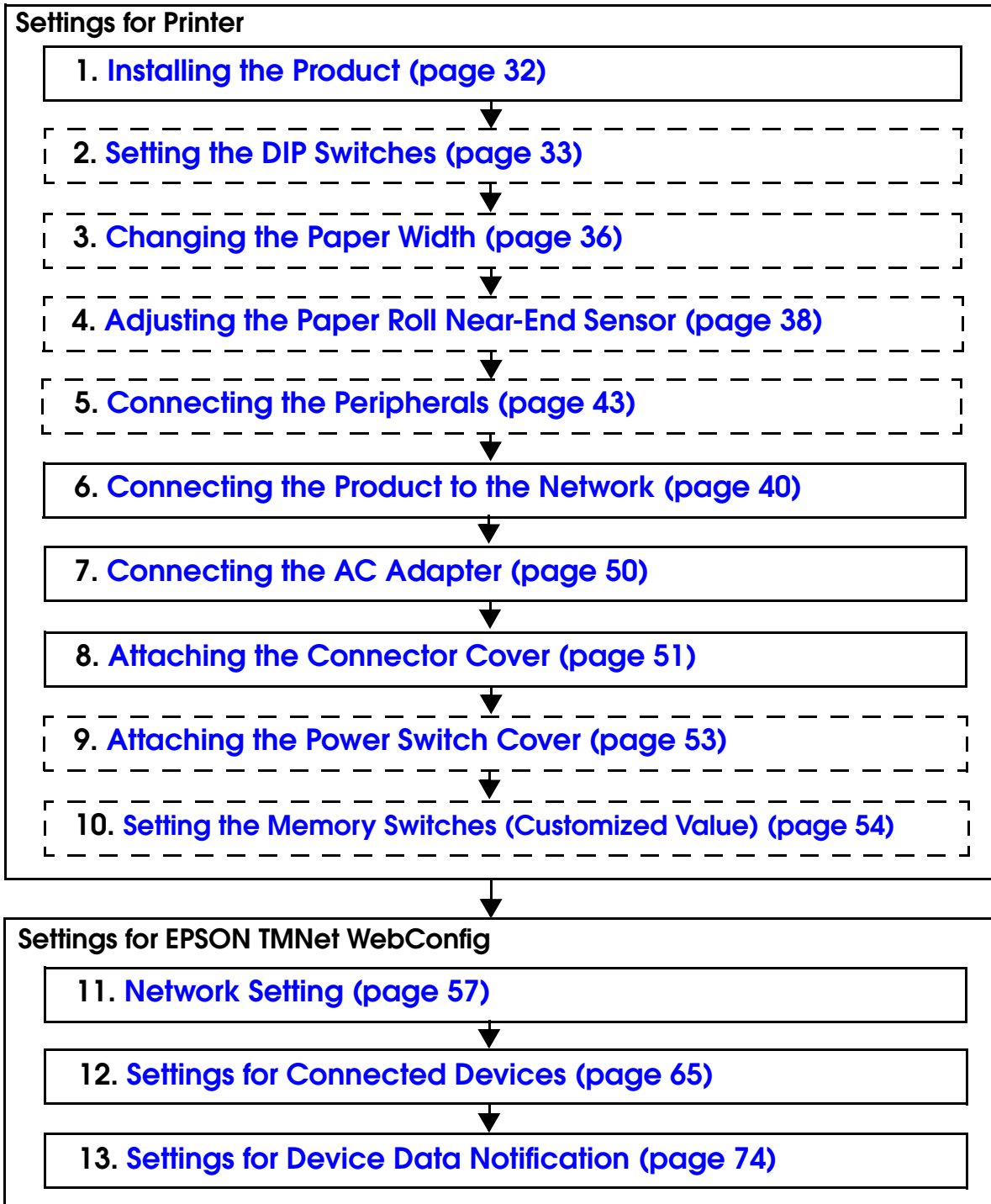
**NOTE**

In this setup flow, necessary items are in a frame with a solid line. Optional items are explained in an frame with a dotted line.



## Server Direct Print





## Using This Product as a Web Server

**Settings for Printer****1. Installing the Product (page 32)****2. Setting the DIP Switches (page 33)****3. Changing the Paper Width (page 36)****4. Adjusting the Paper Roll Near-End Sensor (page 38)****5. Connecting the Peripherals (page 43)****6. Installing the microSD Card (page 39)**

Available when PHP is enabled.

**7. Connecting the Product to the Network (page 40)****8. Connecting the AC Adapter (page 50)****9. Attaching the Connector Cover (page 51)****10. Attaching the Power Switch Cover (page 53)****11. Setting the Memory Switches (Customized Value) (page 54)****Settings for EPSON TMNet WebConfig****12. Network Setting (page 57)****13. Enabling HTTPS Communication (page 63)****14. Enabling PHP (page 62)****15. Registering Web Contents (page 67)**

---

## *Installing the Product*

### Important Notes

- The product must be installed horizontally on a flat surface (not tilted).
- Do not place the product in dusty locations.
- Do not catch cables or place foreign matter under the product.



## Setting the DIP Switches

Follow the steps below to change the DIP switch settings.

### Setting Procedure

Follow the steps below to change the DIP switch settings.

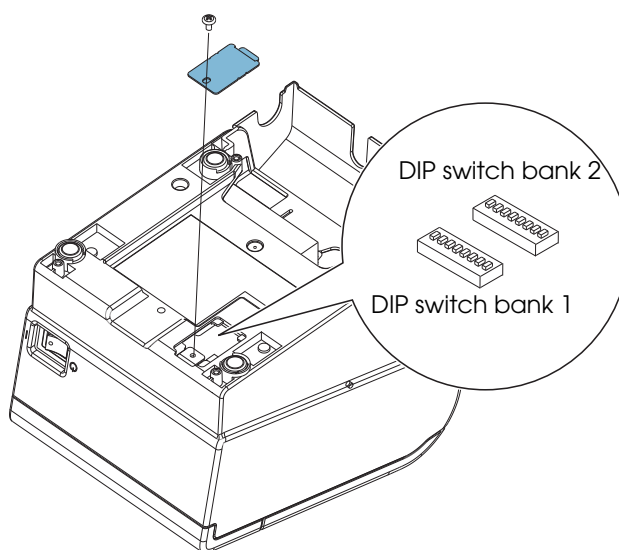


**Before you remove the DIP switch cover, turn the product off.**  
Otherwise, a short-circuit may cause the product to malfunction.



DIP switch settings are enabled only when the power is turned on or the product is reset via the interface. If the settings are changed after that, the functions will not change.

- 1** Make sure the power supply for the product is turned off.
- 2** Unscrew the screw to remove the DIP switch cover from the base of the product.



- 3** Set the DIP switches, using a thin instrument such as a pair of tweezers.
- 4** Replace the DIP switch cover, and screw it in place.

## Functions

### DIP Switch Bank 1

SW	Function	ON	OFF	Initial setting
1-1	Auto line feed	Always enabled	Always disabled	OFF
1-2	Receive buffer capacity	45 bytes	4 KB	OFF
1-3	Selects paper sensors to output paper-end signals (initial setting)	Disabled	Roll paper end sensor enabled, roll paper near-end sensor enabled	OFF
1-4	Error signal output	Disabled	Enabled	OFF
1-5 ~ 1-8	Undefined	—		OFF

## DIP Switch Bank 2

SW	Function	Function	ON	OFF	Initial setting
2-1	Reserved (Do not change setting)		Fixed to ON		ON
2-2	Reserved (Do not change setting)		Fixed to OFF		OFF
2-3	Selects print density	Standard	2-3: OFF, 2-4: OFF		OFF
		Darker than standard	2-3: ON, 2-4: OFF		
2-4	Dark		2-3: OFF, 2-4: ON		OFF
	Forbidden		2-3: ON, 2-4: ON		
2-5	Sets the release condition of the receive buffer BUSY state. (This function is effective when DIP Switch 1-2 is set to off.)		Releases the BUSY state when the remaining capacity of the receive buffer reaches 138 bytes.	Releases the BUSY state when the remaining capacity of the receive buffer reaches 256 bytes.	OFF
2-6 ~ 2-7	Reserved (Do not change settings)		Fixed to OFF		OFF
2-8	IF pin 31 reset signal (Do not change setting)		Fixed to ON		ON

**CAUTION**

- Do not change the setting of DIP switches 2-1, 2-2, 2-6, 2-7, and 2-8. Otherwise, the printer may not operate normally.
- Set the print density using the DIP switches when the print density of the customized value is set to "Depends On Dip Switch" (Initial Settings).
- If the print density is set to "Darker than standard" or "Dark" level, printing speed may be reduced.

## Changing the Paper Width

The printer is initially set to print on 80 mm width paper and you can change the printer to print on 58 mm width paper by installing the roll paper guide and changing the paper width setting with the customized value.

Follow the steps below to install the roll paper guide.

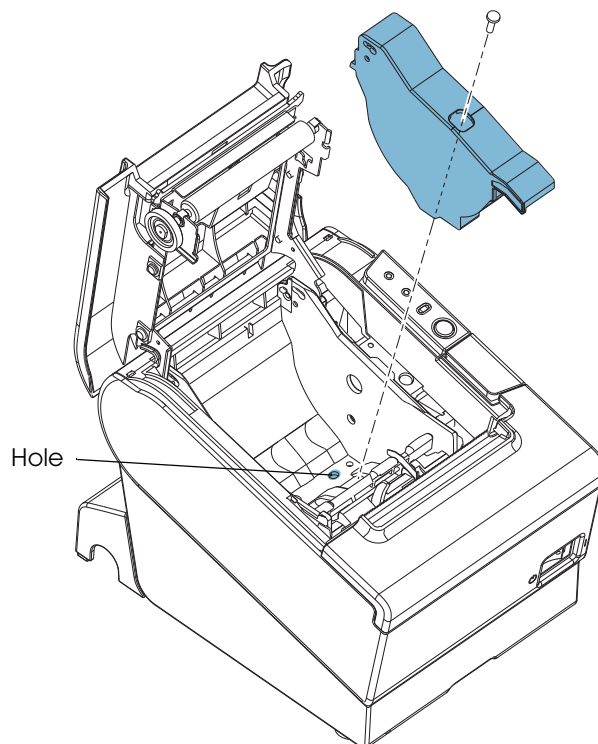
**CAUTION**

Once you change the paper width from 80 mm to 58 mm, you cannot change it back to 80 mm.

**NOTE**

To set the customized value, see ["Setting the Memory Switches \(Customized Value\)"](#) on [page 54](#).

- 1 Open the roll paper cover.
- 2 Install the roll paper guide so that the projection on its bottom is aligned with the hole at the right of the roll paper holder.

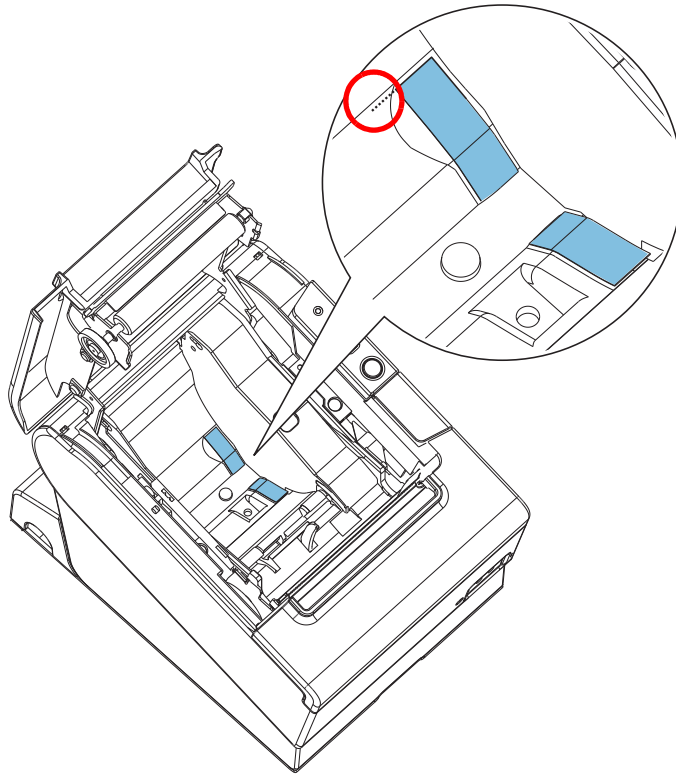


- 3 Tighten the enclosed screw to fix the roll paper guide.

- 4 Paste the enclosed 2 small strips along the roll paper guide on the bottom of the roll paper holder.

**CAUTION**

Make sure the space between the top edge of the strip and the line of the groove in the roll paper guide is 0.5 mm or less.



# Adjusting the Paper Roll Near-End Sensor

Below are two situations where a roll paper Near-End sensor adjustment is required.

- To adjust the detection position to suit the diameter of the roll paper core used.
- To adjust the detection position of remaining amount of paper.

## CAUTION

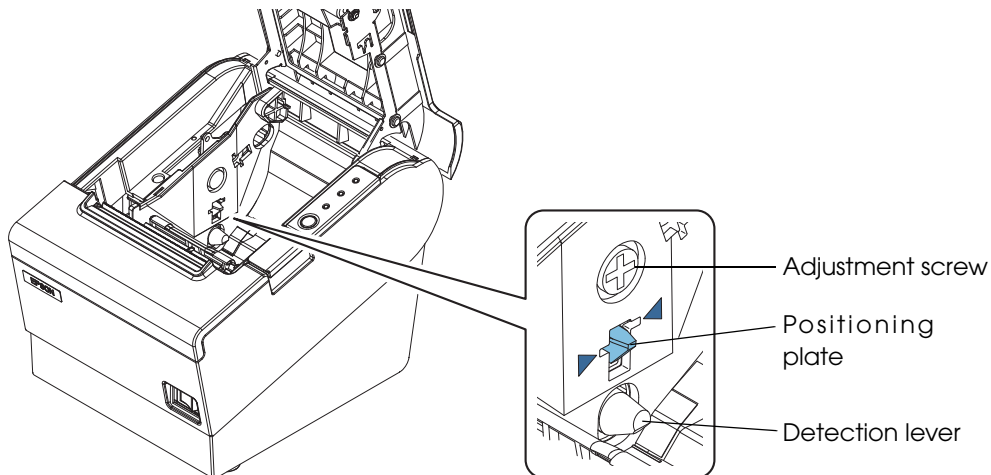
- Since roll paper cores vary slightly in shape, depending on paper roll design and manufacturing tolerances, it is impossible to detect the remaining paper exactly.
- Use roll paper with a core inner diameter of 12 mm {0.47"} and outer diameter of 18 mm {0.71"} so that the Near-End sensor can detect the remaining paper as accurately as possible.

Follow the steps below to adjust the roll paper near-end detector.

- 1** Open the roll paper cover, and remove the roll paper.
- 2** Loosen the adjustment screw fastening the sensor, and align the upper edge of the positioning plate with the adjustment position.

Adjustment position	Outer diameter of roll paper at near-end detection
Upper	Approx. 27 {1.06"}
Lower (Initial setting)	Approx. 23 {0.97"}

- 3** Tighten the adjustment screw.
- 4** After adjustment, make sure that the detection lever operates smoothly.



## Installing the microSD Card

Install the microSD card into the microSD card slot on the rear of the product.

**CAUTION**

Use a microSD card that has wear leveling functions

**NOTE**

- The microSD card can only be used if the PHP function is enabled.
- The spooler cannot be used if PHP is enabled.

---

### Installing the microSD Card

- 1** Open the protective cover on this product. Check the insertion direction of the microSD card and insert it into the microSD card slot.

**NOTE**

- Insert the microSD card with its metal side facing down.
- Push the microSD card to the bottom until it clicks.

- 2** Close the protective cover.

---

### Removing the microSD Card

- 1** Open the protective cover on this product and gently push the microSD card into the slot.

**NOTE**

Push the microSD card to the bottom until it clicks.

- 2** When the microSD card is slightly ejected, pull it out carefully.
- 3** Close the protective cover.

# Connecting the Product to the Network

## For Wired LAN connection

Connect the product to a network by a LAN cable via a hub.

Insert a 10BASE-T/100BASE-TX LAN cable into the LAN connector until it clicks.



- **When LAN cables are installed outdoors, make sure devices without proper surge protection are cushioned by being connected through devices that do have surge protection.**  
Otherwise, the devices can be damaged by lightning.
- **Never attempt to connect the customer display cable, drawer kick cable, or a standard telephone line cable to the LAN connector.**

## For Wireless LAN Interface

The optional wireless LAN cable set (OT-W01) enables you to use the product with a wireless LAN connection.

Be sure not to connect a LAN cable when you use the wireless LAN cable set.



This product cannot be used with the wired LAN connection and wireless LAN connection at the same time. When the product is set and installed for both of them, only the LAN connection works.

Check whether the following items are included.

- Wireless LAN unit
- USB extension cable
- Affixing tape (1 pair, 2 pieces)
- Rubber cover
- Caution label
- User's manual

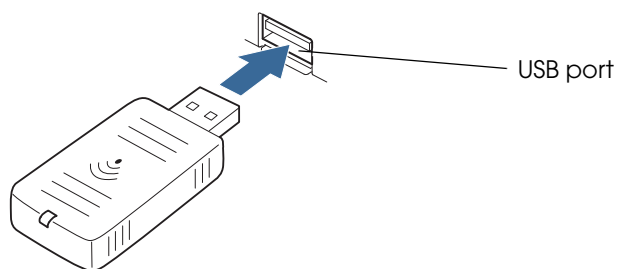
To connect the wireless LAN unit to the product, you can connect directly or use the USB extension cable.

If connecting the wireless LAN unit directly causes interference with other cables or bad communication, use the included USB extension cable.



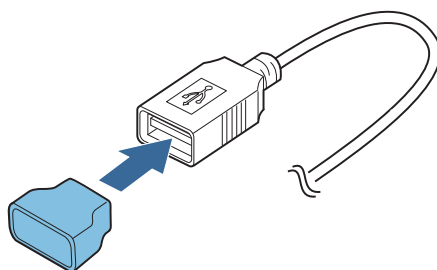
## Connecting the unit directly with the product

Install the wireless LAN unit to a USB port of the product.

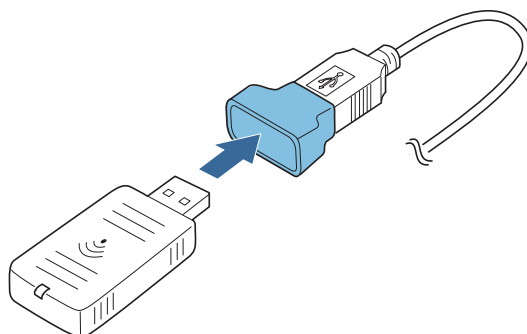


## Using the USB extension cable

- 1 Attach the included rubber cover to the connector of the USB extension cable into which the wireless LAN unit will be inserted, to prevent the unit from coming off.

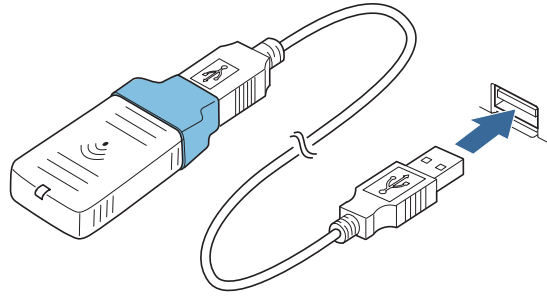


- 2 Insert the wireless LAN unit into the connector of the cable.

**CAUTION**

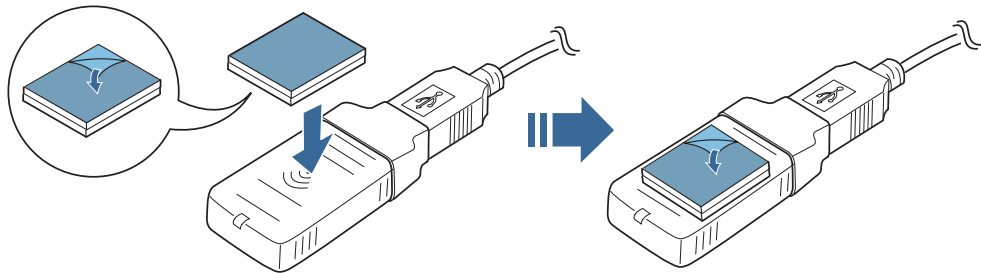
Adjust the position of the rubber cover so that the description on the label on the back side of the wireless LAN unit is not covered.

- 3** Connect the USB extension cable to the USB port of the product.



**NOTE**

If you want to fix the wireless LAN unit, cut the included affixing tape to fit and put on the unit, and fix the unit in a place with good communication.



## Connecting the Peripherals

Connect each cable of a peripheral to a port or connector at the rear of the product.



- When connecting USB interface devices, make sure to check the devices or manuals, etc. for current consumption. The total value should be 2.0 A or less. Never use devices that provide no information on current consumption.
- Make sure that the protective cover is securely fit into place while the product is operating.

### Connecting the Customer Display

For details on connecting the customer display, refer to the "DM-D110/DM-D210 Technical Reference Guide".

Use EPSON TMNet WebConfig to configure customer display settings and perform display tests.

For detail, refer to ["Settings for Connected Devices"](#) on page 65.

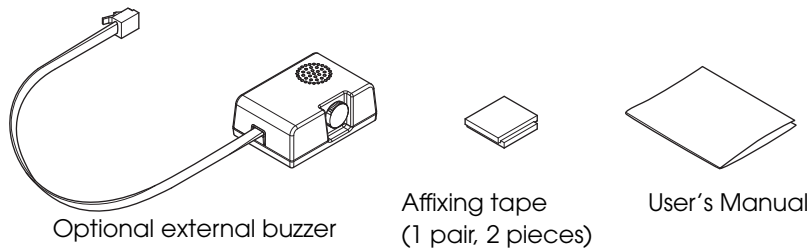
## Connecting the Optional External Buzzer

You can use the optional external buzzer (OT-BZ20) by connecting it to the drawer kick connector.

### CAUTION

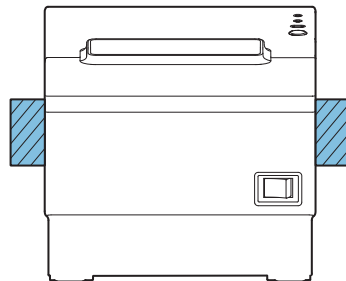
- The optional external buzzer and the drawer cannot be used together at the same time.
- If you configure the memory switch (customized value) setting to enable the optional external buzzer, the drawer cannot be opened because the pulse is not sent to the drawer kick connector pin.
- Make sure to use the accessory affixing tape (hook and loop fastener) to attach the optional external buzzer to the product.
- Be careful not to spill water, oil, solvent, or any other liquid over the product. Doing so may result in malfunction of the product.

Check whether the following items are included.



## Installation Position

This product is recommended to be installed on either side of the product.



### CAUTION

- Do not install the optional external buzzer at the roll paper exit.
- To prevent liquid from entering inside, it is recommended to install the optional external buzzer so that the volume adjustment knob is positioned sideways or downward. (For details of the volume adjustment knob, see ["Adjusting the Buzzer Volume" on page 46.](#))

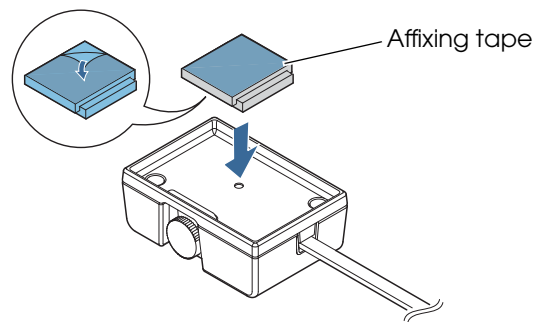
## Installation Procedures

- 1 Turn off the product.

**CAUTION**

Connect and disconnect the optional external buzzer while the product is turned off. If you connect it while the product is turned on, the buzzer does not function correctly.

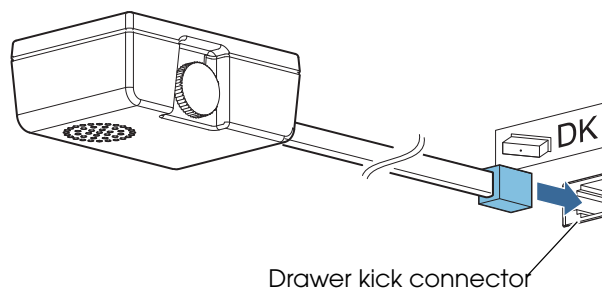
- 2 Clean and dry the printer case where the optional external buzzer will be installed.
- 3 With 2 pieces of the affixing tape combined, peel off the sticker on one side, and paste it around the center of the attaching surface of the optional external buzzer.



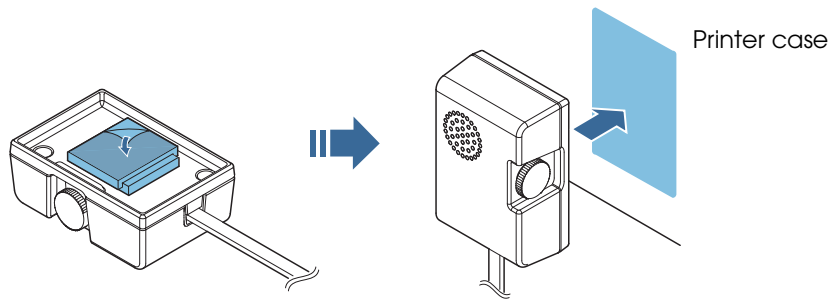
- 4 Connect the cable of the optional external buzzer to the drawer kick connector on the product.

**CAUTION**

Do not connect both the optional external buzzer and the drawer by using a splitter or similar device.



- 5 Peel off the sticker on the other side of the affixing tape, and attach and fix the optional external buzzer to the printer case.



- 6 Turn on the product.

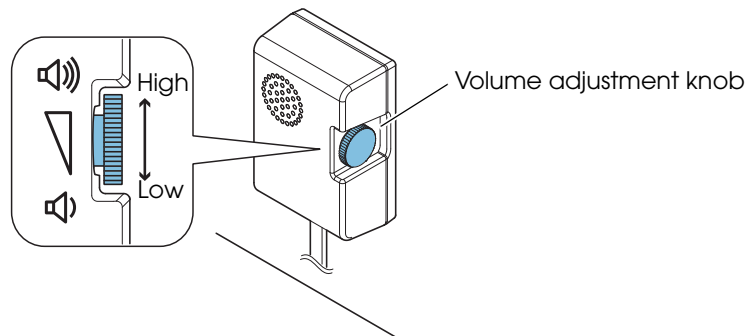
- 7 When and how to beep can be set by TM-T88V Utility or the product's customized value. (See ["Setting the Memory Switches \(Customized Value\)"](#) on page 54)

**CAUTION**

- To use this product, be sure to enable the optional external buzzer with the product setting. For the details on the setting, see ["Setting the Memory Switches \(Customized Value\)"](#) on page 54.
- When the optional external buzzer is enabled with the product setting, the drawer cannot be driven.

## Adjusting the Buzzer Volume

Turn the volume adjustment knob to adjust the buzzer volume.



## Connecting the Serial Communication Device

**CAUTION**

It is not available for TM-T88V-i (without a Serial port).

Use a serial cable to connect a device to the serial port of this product.

To communicate with a serial communication device, communication conditions of the device should match those of this product.

Refer to the manual for the serial communication device to check the following conditions.

- Communication Speed
- Data bit
- Parity
- Stop bit
- Flow control

The communication conditions of this product are configured using EPSON TMNet WebConfig.

For detail, refer to ["Settings for Connected Devices" on page 65](#).

## Key Input Device via a USB Interface

For key input devices such as barcode scanners and keyboards, connect a USB cable of a device to the USB port at the rear of this product.

Use EPSON TMNet WebConfig to select a device control script and perform communication tests.

For detail, refer to ["Settings for Connected Devices" on page 65](#).

## Connecting the Cash Drawer

Using the optional product for TM printer is recommended.

If the optional external buzzer is used, you cannot use a cash drawer.

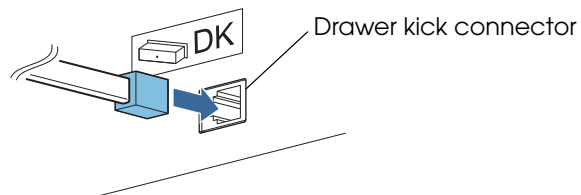


- **Specifications of drawers differ depending on makers or models. When you use a drawer other than specified, make sure its specification meets the following conditions.**

Otherwise, devices may be damaged.

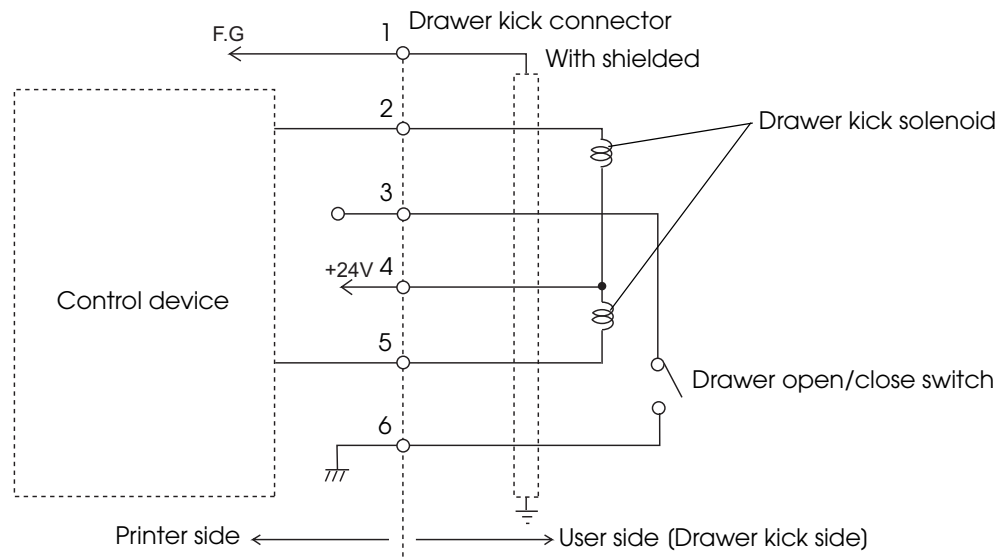
- \* The load, such as a drawer kick solenoid, must be connected between pins 4 and 2 or pins 4 and 5 of the drawer kick connector.
- \* When the drawer open/close signal is used, a switch must be provided between drawer kick connector pins 3 and 6.
- \* The resistance of the load, such as a drawer kick solenoid, must be  $24\ \Omega$  or more or the input current must be 1A or less.
- \* Be sure to use the 24V power output on drawer kick connector pin 4 for driving the equipment.
- **Use a shielded cable for the drawer connector cable.**
- **Two driver transistors cannot be energized simultaneously.**
- **Leave intervals longer than 4 times the drawer driving pulse when sending it continuously.**
- **Be sure to use the product power supply (connector pin 4) for the drawer power source.**
- **Do not insert a telephone line into the drawer kick connector.**  
Doing so may damage the telephone line or product.

Connect the connector of the drawer kick cable to the product.





## Drawer Connection Circuitry



# Connecting the AC Adapter

Use AC adapter,RA as the power supply unit for this product.



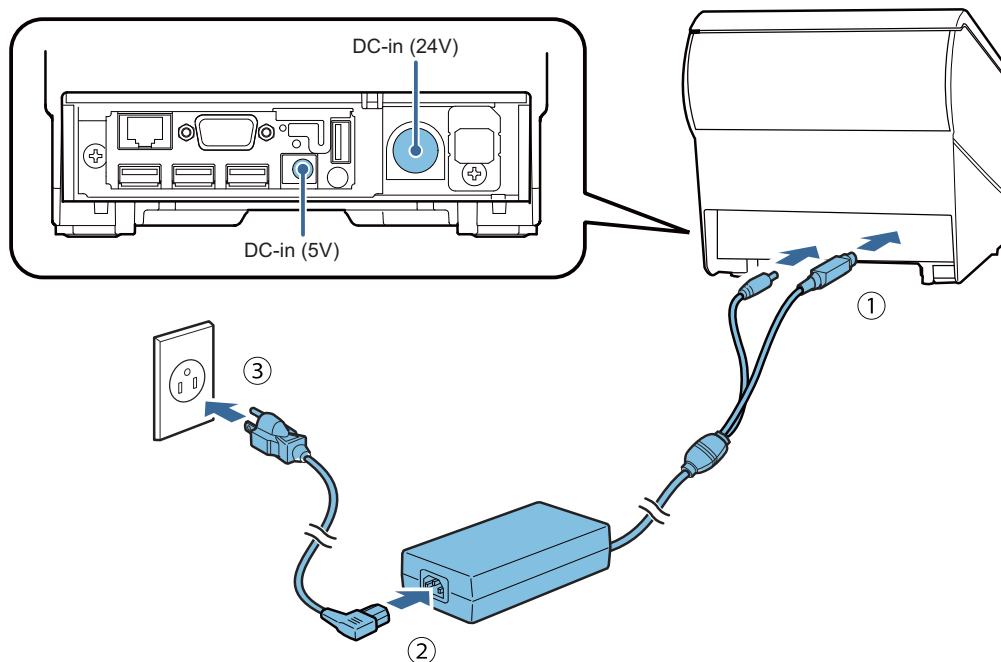
- **Be sure to use the included AC adapter as the power supply unit.**  
Using a nonstandard power supply can result in electric shock and fire.
- **Should a fault ever occur in the included AC adapter, immediately turn off the power to the product and unplug the power supply cable from the wall socket.**
- **Be sure to unplug the power supply unit's cable from the wall socket whenever connecting or disconnecting the power supply unit to the product.**  
Failure to do so may result in damage to the power supply unit or the product.
- **Make sure the wall socket power supply satisfies the rated voltage requirements of the power supply unit. Never insert the power supply cable plug into a socket that does not meet the rated voltage requirements of the power supply unit.**  
Doing so may result in damage to both the power supply and the product.

## CAUTION

When installing the DC 5 V cable through the cable exits on the back, fix the cables with the cable band to prevent the cables from coming off. (See ["Attaching the Connector Cover" on page 51.](#))

Make sure that the power is turned off, and connect the AC adapter,RA in the following steps.

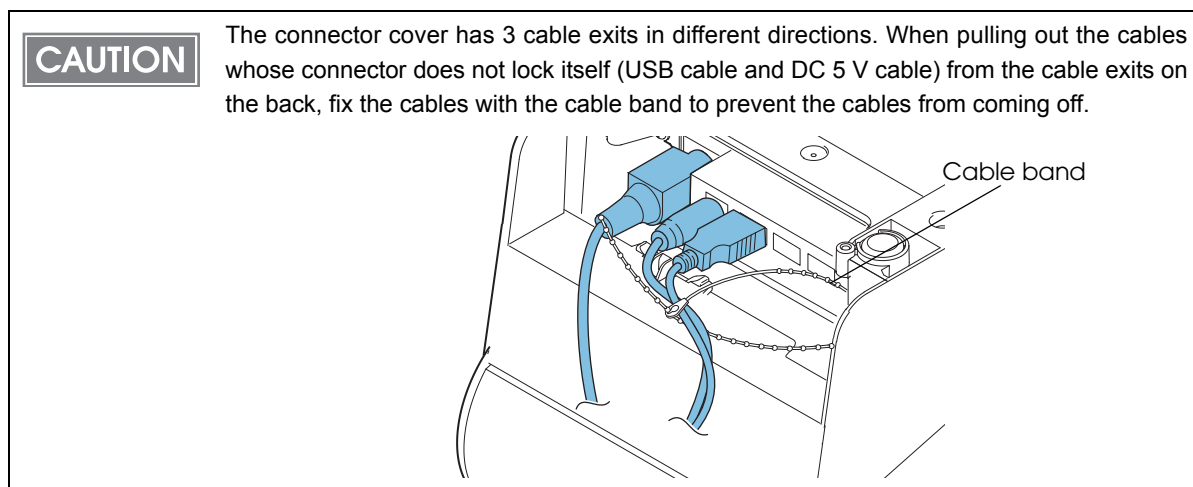
- 1 Push the DC connectors of the AC adapter all the way into the DC-In connectors (5V and 24V) of the product.



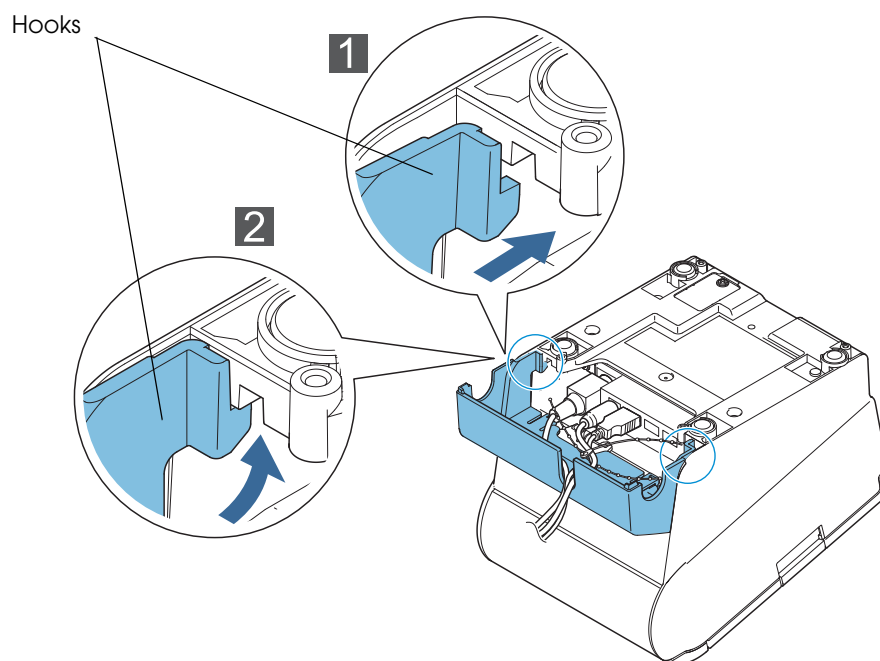
- 2 Push the connector of the power cord all the way into the AC inlet of the AC adapter.
- 3 Push the power plug all the way into the grounded outlet.
- 4 Place the AC adapter with the label facing down.

## Attaching the Connector Cover

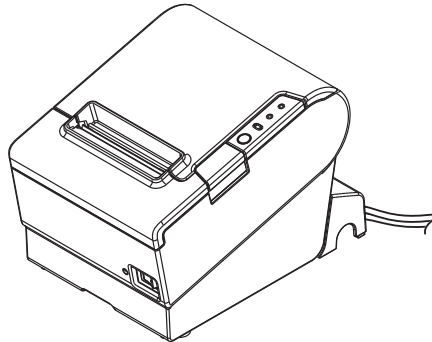
Follow the steps below to attach the connector cover to protect cables.



- 1** Turn over the product.
- 2** Position the two hooks on both sides of the connector cover so that they hook the printer case.
- 3** Push the connector cover down to click onto the printer case.

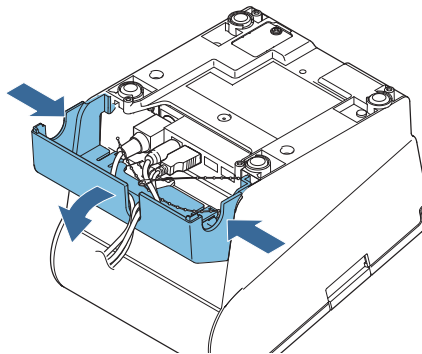


- 4 Pass each cable through the cable exits at the bottom of the connector cover.  
If the cables are too many for one cable exit, use multiple exits.
- 5 Turn over the product and make sure the cables are not pinched.



**NOTE**

To remove the connector cover, turn the product over, and push the connector cover down while pushing both sides of the connector cover inward to detach the hooks from the printer case.

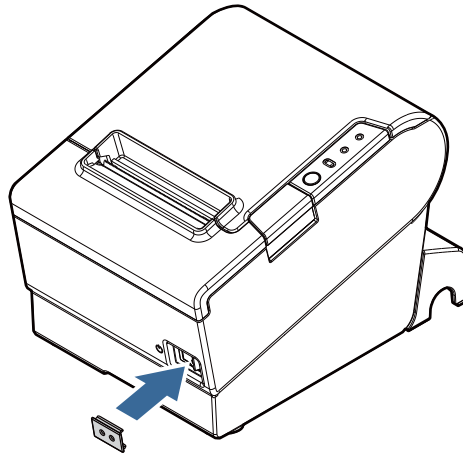


## Attaching the Power Switch Cover

Install the power switch cover that comes with the TM-T88V-i onto the product to prevent inadvertent changing of the power switch, to prevent tampering, and to improve the appearance of the product.

To operate the power switch, insert an object with a pointed tip such as a ballpoint pen into the hole on the power switch cover.

To detach the cover, also use a sharp-pointed object.



**WARNING**

**If an accident occurs with the power switch cover attached, unplug the power cord immediately.**

Continued use of the product may cause fire or electric shock.

## Setting the Memory Switches (Customized Value)

With the “memory switch (customized value),” a software switch for this product, you can set the functions shown in the table below.

The memory switches (customized value) are already set. Change the setting if necessary.

To change the memory switch settings, use the software setting mode or the TM-T88V Utility. The settings that can be changed with each of these are shown below.

Function	Software Setting Mode	TM-T88V Utility
<b>Paper width</b>	✓	✓
<b>Print density</b>	✓	✓
<b>Multiple Tone print density</b>	✓	✓
<b>Print speed</b>	✓	✓
<b>Font</b> <ul style="list-style-type: none"> <li>• Code page</li> <li>• International character set</li> <li>• Font A/B replacement</li> </ul>	✓	✓
<b>Optional Buzzer</b>	✓	✓
<b>Number of head energizing parts</b>	✓	-
<b>Power supply unit capacity</b>	✓	✓
<b>Automatic paper cut</b>	✓	✓
<b>Paper reduction</b> <ul style="list-style-type: none"> <li>• Upper space reduction</li> <li>• Lower space reduction</li> <li>• Line space reduction rate</li> <li>• Line feed reduction rate</li> <li>• Barcode height reduction rate</li> </ul>	✓	✓

### NOTE

- To directly configure the product in the software setting mode, see ["Software Setting Mode" on page 117](#).
- For detailed information about the TM-T88V Utility, see the TM-T88V Utility User's Manual.

## Functions

### Setting the paper width

- 80 mm (initial setting)
- 58 mm

#### CAUTION

- Be sure to install the roll paper guide when you select the 58 mm paper width. (See ["Changing the Paper Width" on page 36.](#))
- Once you change the paper width from 80 mm to 58 mm, you cannot change it back to 80 mm.

### Setting the print density

Selectable from "Depends On Dip Switch", or levels 1 to 13 (70% ~ 130%)

#### CAUTION

When the print density is set to "Depends On Dip Switch" (Initial Settings), the Dip switch settings are applied. With other settings, the customized value settings are applied. (See ["Functions" on page 34.](#))

### Setting the multiple tone print density

Selectable from levels 1 to 13 (70% ~ 130%) (initial setting: level 7)

#### CAUTION

- First change the print density, and then configure the multiple tone print density.
- If you set the density too high, the contrast becomes lower. Select the density level checking the overall tone balance of your image.

### Setting the print speed

Selectable from levels 1 to 13 (Slow ~ Fast) (initial setting: level 13)

#### CAUTION

Depending on print conditions, such as print duty and print head temperature, print speed is automatically adjusted, which may cause white lines due to intermittent print (the motor sometimes stops). To avoid this, keep the print speed constant by setting it lower.

### Setting font

- Code page: Selectable from 43 pages
- International character set: Selectable from 18 sets
- Font A/B replacement

---

## Optional Buzzer

When to sound the buzzer is selectable from the following occasions.

- When an error occurs
- When automatic paper cut activates
- When specified pulse 1 (2 pin) occurs
- When specified pulse 2 (5 pin) occurs

---

## Setting the number of head energizing parts

- One-part energizing (initial setting)
- Two-part energizing
- Four-part energizing

<b>NOTE</b>
-------------

- Usually, the number of head energizing parts does not need to be changed.
- The maximum print speed can be performed only when one-part energizing is selected.

---

## Setting the power supply unit capacity

Selectable from levels 1 to 3 (Low ~ High) (initial setting: level 3)

When a problem such as a low voltage error and power shutdown occurs due to the print pattern or the power supply environment, you might work around the problem by setting the power supply unit capacity.

If you cannot solve the problem by setting the power supply unit capacity to "level 1", you can try reducing the print speed, increasing the number of head energizing parts, or revising the print pattern (reducing the print volume).

---

## Setting the automatic paper cut

- Not use this function (initial setting)
- Cut paper when the cover is closed
- Print logo when paper is cut

<b>NOTE</b>
-------------

"Printing logo when paper is cut" is not available with software setting mode.

---

## Setting the paper reduction

- Extra upper space reduction: enabled or disabled (initial setting)
- Extra lower space reduction: enabled or disabled (initial setting)
- Line space reduction rate: not reduced (initial setting), 25%, 50%, or 75%
- Line feed reduction rate: not reduced (initial setting), 25%, 50%, or 75%
- Barcode height reduction rate: not reduced (initial setting), 25%, 50%, or 75%



# Network Setting

There are following methods for network settings.

- EPSON TMNet WebConfig: Set from the computer's web browser
- Easy Setup: Set from the USB memory where the configuration file is stored.  
(TM-i firmware Ver.3.0 or later)

This section briefly explains how to set from EPSON TMNet WebConfig.



Though Easy Setup requires no network connection during setup, you must specify values for all the setting items available for EPSON TMNet WebConfig.

For about Easy Setup, refer to "TM-i Series Easy Setup Guide".

## 1. Connect via a wired LAN

Connect this product and a PC for setting via a wired LAN.

To use a wireless LAN, connect the wireless LAN unit to the USB port on this product.

## 2. Check the IP address of this product

When this product is turned on and becomes ready for printing, it prints out the automatically acquired IP address.

If no IP address is printed, print a status sheet and check the IP address.

## 3. Start EPSON TMNet WebConfig

Access the address bar of the Web browser on the PC for setting to start EPSON TMNet WebConfig.

When SSL is disabled: [http://\[This product's IP address\]/webconfig](http://[This product's IP address]/webconfig)

When SSL is enabled: [https://\[This product's IP address\]/webconfig](https://[This product's IP address]/webconfig)

For detail, see ["Starting EPSON TMNet WebConfig" on page 89](#).

## 4. Set up TCP/IP

Select the [System Settings] menu and then [Wired] - [TCP/IP] or [Wireless] - [TCP/IP], and set TCP/IP.

After setting, click [Apply] at the bottom of the screen. Then the settings are written to the product. If [Apply] is not clicked, the settings are not applied.

For detail, see ["System Settings - Network - Wired - TCP/IP" on page 101](#) or ["System Settings - Network - Wireless - TCP/IP" on page 103](#).

## 5. Set up a wireless LAN

For a wireless LAN, select the [System Settings] menu and [Wireless], and set the items such as SSID and Security Mode.

After setting, click [Apply] at the bottom of the screen. Then the settings are written to the product. If [Apply] is not clicked, the settings are not applied.

For detail, see "[System Settings - Network - Wireless](#)" on page 102.

### NOTE

- Be sure to change the SSID from the default value.
- For security protection, encryption setting is strongly recommended.

## 6. Connect via a wireless LAN

To use a wireless LAN, disconnect the LAN cable from this product after setting is finished.

### NOTE

This product cannot be used with the wired LAN connection and wireless LAN connection at the same time. The wired LAN connection has a priority.

## Confirming Network Setting

You can confirm the network setting with a status sheet or EPSON TMNet WebConfig.

---

### Confirming with a status sheet

Print a status sheet and check the following items.

- Wired TCP/IP
  - \* Get IP Address
  - \* Set using Automatic Private IP Addressing (APIPA)
  - \* IP Address
  - \* Subnet Mask
  - \* Default Gateway
- Wireless
  - \* Communication Standard
  - \* Network Mode
  - \* SSID
  - \* Wireless LAN Frequency Region
  - \* Ad-Hoc Channel
  - \* Authentication Method
  - \* Security Mode
- Wireless TCP/IP
  - \* Get IP Address
  - \* Set using Automatic Private IP Addressing (APIPA)
  - \* IP Address
  - \* Subnet Mask
  - \* Default Gateway

About how to print the status sheet, see ["Status sheet" on page 108](#).

---

### Confirming with EPSON TMNet WebConfig

Refer to the followings.

- ["General Information" on page 90](#)
- ["Information - Wired - TCP/IP" on page 91](#)
- ["Information - Wireless - TCP/IP" on page 92](#)

## Initializing the Network Setting

When network connection fails, follow the steps below to initialize the network setting to the default.

---

### Details of initialization

When initialization is performed, the following EPSON TMNet WebConfig setting items are initialized. For details on EPSON TMNet WebConfig, refer to ["EPSON TMNet WebConfig" on page 89](#).

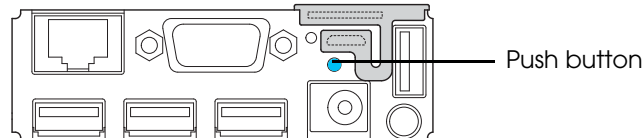
- System Settings - Network - Wired - TCP/IP  
The IP address is set to DHCP.
- System Settings - Network - Wireless  
The wireless LAN connection mode is set to Infrastructure mode, and the SSID is initialized to the default value.
- System Settings - Network - Wireless - TCP/IP  
The IP address for the wireless LAN is set to "192.168.192.168".
- System Settings - Time - Time  
The time server is disabled and the time difference is initialized to the default value.
- Admin Settings - Administrator Information - Password  
The password required when starting up EPSON TMNet WebConfig is initialized to the default value.

**NOTE**

- EPSON TMNet WebConfig settings other than those listed above are not initialized.
- Files registered to EPSON TMNet WebConfig are saved.  
(Certificate files, Web contents, style sheet, PHP, etc.)

## Initialization procedure

- 1 Load the paper on the product and turn on the product.
- 2 Push and hold the push button for 10 seconds or longer.  
The following initialization start message is printed.  
Press the push button with a thin object such as a tweezers.



```

Resetting to Network Setting!
Please Wait...

WARNING: DO NOT
TURN OFF POWER
  
```

### CAUTION

Do not turn off the power until the initialization is completed.

- 3 20 to 25 seconds later, the following message is printed, and a status sheet is printed out.

```

Reset to Network Setting Finished!

*****
      EPSON Status Sheet
*****
  
```

## Enabling PHP

To use PHP on this product, enable PHP using EPSON TMNet WebConfig.

**NOTE**

The spooler cannot be used if PHP is enabled.

This section briefly explains the setup procedure.

### 1. Check the microSD card

Make sure that the microSD card is installed in the microSD card slot on this product.

### 2. Start EPSON TMNet WebConfig

Access the address bar of the Web browser on the PC for setting to start EPSON TMNet WebConfig.

When SSL is disabled: [http://\[This product's IP address\]/webconfig/PHPSetting](http://[This product's IP address]/webconfig/PHPSetting)

When SSL is enabled: [https://\[This product's IP address\]/webconfig/PHPSetting](https://[This product's IP address]/webconfig/PHPSetting)

### 3. Enable PHP

Select [Enable] from “PHP”.

After setting, click [Apply] at the bottom of the screen. Then the settings are written to the product. If [Apply] is not clicked, the settings are not applied.

## Enabling HTTPS Communication

To use HTTPS communication on this product, enable the SSL setting using EPSON TMNet WebConfig and register a certificate.

- To access the Web server (HTTPS server):  
Register the certificate issued by the certification authority (signature source for the Web server SSL certificate) to this product.
- To access the Web server (HTTPS server) or to use this product as a Web server (including PHP) :  
Make sure that the certificate issued by the certification authority (signature source for the SSL certificate to be imported to this product) has been imported to the device.

**NOTE**

You can use with TM-i firmware Ver.4.3 or later for this product.

This section briefly explains the setup procedure.

### 1. Connect this product to a network

Connect this product to a network and turn on the product.

### 2. Start EPSON TMNet WebConfig

Access the address bar of the Web browser on the PC for setting to start EPSON TMNet WebConfig.

When SSL is disabled: [http://\[This product's IP address\]/webconfig](http://[This product's IP address]/webconfig)

When SSL is enabled: [https://\[This product's IP address\]/webconfig](https://[This product's IP address]/webconfig)

For detail, see "[Starting EPSON TMNet WebConfig](#)" on page 89.

### 3. Set up SSL

Select the [System Settings] menu and then [Security] - [SSL], and set SSL settings.

After setting, click [Apply] at the bottom of the screen. Then the settings are written to the product. If [Apply] is not clicked, the settings are not applied.

For detail, see "[System Settings - Security - SSL](#)" on page 104.

## Settings for Server Direct Print

Set up Server Direct Print using EPSON TMNet WebConfig.

This section briefly explains the setup procedure.

### 1. Connect this product to a network

Connect this product to a network and turn on the product.

### 2. Start EPSON TMNet WebConfig

Access the address bar of the Web browser on the PC for setting to start EPSON TMNet WebConfig.

When SSL is disabled: [http://\[This product's IP address\]/webconfig](http://[This product's IP address]/webconfig)

When SSL is enabled: [https://\[This product's IP address\]/webconfig](https://[This product's IP address]/webconfig)

For detail, see "[Starting EPSON TMNet WebConfig](#)" on page 89.

### 3. Set up Server Direct Print

Select the [Web Service Settings] menu and then [Direct Print], and set Server Direct Print settings.

After setting, click [Apply] at the bottom of the screen. Then the settings are written to the product. If [Apply] is not clicked, the settings are not applied.

For detail, see "[Web Service Settings - Server Access - Direct Print](#)" on page 98.



# Settings for Connected Devices

The Epson ePOS SDK, ePOS-Device SDK, Server Direct Print, and Device Data Notification systems identify controlled devices by the device ID. The device ID is registered in this product. Set the device ID using EPSON TMNet WebConfig.

This section briefly explains the setup procedure.

## 1. Connect the controlled devices

Physically connect (or connect via network) this product to all devices to be controlled by the product, and turn the power on.

For devices that can be controlled, see "[Software Specifications](#)" on page 130.

## 2. Check the information of the controlled devices

Check the type and IP address of devices to be controlled via this product.

In addition, check the device ID to be set for the controlled devices with the system administrator.

## 3. Start EPSON TMNet WebConfig

Access the address bar of the Web browser on the PC for setting to start EPSON TMNet WebConfig.

When SSL is disabled: [http://\[This product's IP address\]/webconfig](http://[This product's IP address]/webconfig)

When SSL is enabled: [https://\[This product's IP address\]/webconfig](https://[This product's IP address]/webconfig)

For detail, see "[Starting EPSON TMNet WebConfig](#)" on page 89.

## 4. Register the controlled devices

From [Printer], [Customer Display], [Key Input Device], or [Serial Communication Device] in the [Configuration] menu, register and set up the controlled devices.

After setting, click [Apply] or [Add] at the bottom of the screen. Then the settings are written to the product. If [Apply] or [Add] is not clicked, the settings are not applied.

For detail, see the following information.

- Printer: For setting this product and TM printer on the network device IDs and performing test prints. ([page 93](#))
- Customer Display: For setting whether to use the Customer Display and performing test display. The communication settings of this product must be made to match the Customer Display's communication settings. The device ID is set to fixed, "local\_display". ([page 94](#))
- Key Input Device: For setting device IDs for barcode scanners and key input devices, selecting control scripts, and performing operational tests. ([page 94](#))
- Serial Communication Device: For setting whether to use the Serial Communication Device, configuring communication settings, and performing communication tests. Communication settings of this product should match those of a serial communication device. The device ID is set to fixed, "local\_serial". ([page 95](#))

## 5. Check the controlled devices

Update the browser and confirm that the devices registered in the Device List are displayed.

Check if the registered devices operate properly.

---

## Changing Device ID of This Product

To change the device ID of this product, select "local\_printer" from "Model", and enter the device ID to be applied in "Device ID".

This section briefly explains the setup procedure.

### 1. Start EPSON TMNet WebConfig

Access the address bar of the Web browser on the PC for setting to start EPSON TMNet WebConfig.

When SSL is disabled: [http://\[This product's IP address\]/webconfig](http://[This product's IP address]/webconfig)

When SSL is enabled: [https://\[This product's IP address\]/webconfig](https://[This product's IP address]/webconfig)

For detail, see "[Starting EPSON TMNet WebConfig](#)" on page 89.

### 2. Change the device ID

From [Printer] in the [Web Service Settings] menu, change the device ID of this product.

Select [local\_printer] from "Model" and enter the device ID to be applied in [Device ID].

After setting, click [Add] at the bottom of the screen. Then the settings are written to the product. If [Add] is not clicked, the settings are not applied.

For detail, see "[Web Service Settings - Device Admin - Printer](#)" on page 93.

### 3. Check the device ID

Update the browser and confirm that the device ID has been changed.

# Registering Web Contents

Registering Web contents to this product allows the use of a Web server that is accessed from an input terminal for content distribution.

You can periodically update Web contents on this product by using a Web server for distributing Web contents that is separate from this product. You can update certificate files used by this product.

## Creating Web Contents

This section explains the types of Web contents, and the folder configuration used.

### Types of contents

- Web Contents: HTML files, CSS files, PHP files, JavaScript files, and image data
- Certificate files: Server authentication certificate, SSL authentication certificate

### File capacity

Zip the files to be registered all together. The zip file name is arbitrary.

#### NOTE

- Use one-byte alphanumeric characters (ASCII characters) for a zip file name and sub-folder name.
- The maximum size of the files before being zipped is 30 MB. Otherwise, registering fails.
- Save `crossdomain.xml` and `clientaccesspolicy.xml` to the root folder if the user web application path is "/".

### Folder configuration

Configure folders in the following manner.

<Example for sample program>

```
ePOS-Device_UM_E_Sample.zip .....: Zip file
├─ index.html
├─ css
│  └─ *.css
├─ img
│  └─ *.bmp
│  └─ *.jpg
│  └─ *.png
├─ js
│  └─ *.js
├─ sample
│  └─ *.html
├─ ssltrustedcerts .....: Server authentication certificate
│  └─ example.pem
├─ sslservercerts .....: SSL authentication certificate
│  └─ ServerCr.crt
│  └─ ServerKey.key
│  └─ ChainCr.crt
```



## Verifying the integrity of Web contents with md5 files

You can verify the integrity of auto updating Web contents with md5 files. When this product acquires a Web contents file, an md5 file is downloaded to the Web server, if available. The md5 value of the md5 file is compared to the md5 value calculated from the Web contents file and, if the values match, the Web contents file is unpacked and extracted. If these values are inconsistent, the file is not unpacked and extracted.

### Preparation

- Create an md5 file with the same file name as the Web contents file. Only write the md5 value of the Web contents file (zip) in the file.
- Save the md5 file to the same folder as the Web contents file.

### Check Verification

You can check the results of running an automatic update from [Information] - [Web Contents] - [Status of Last Automatic Update] in the EPSON TMNet WebConfig.

For detail, see "[Information - Web Contents](#)" on page 92.

## Certificate files

You can automatically update Server authentication certificates and SSL authentication certificates using the Web contents automatic update function. You can download and use Server authentication certificates for this product. For detail, see "[System Settings - Security - SSL](#)" on page 104.

Make sure to update certificate files, including certificates in use.

### CAUTION

Make sure to replace certificate files by deleting existing certificate files and saving new certificate files. You will be unable to connect if certificate files currently in use are not included. Make sure to include certificates currently in use in the auto updating file each time.

### File Specifications

Save certificate files to the following folders.

- Server authentication certificate: ssltrustedcerts
- SSL authentication certificate: sslservercerts

Use the following file names for SSL authentication certificate files.

Type	File name
Certificate file	ServerCert.crt
Private key file	ServerKey.key
Certificate chain file	ChainCert.crt

## Registering Web Contents

To register a web content in this product, the following methods are available:

- **Manual Update:** Web contents are registered manually by using EPSON TMNet WebConfig.
- **Automatic Update:** Web contents are saved in the Web server and automatically updated by the product referring to the files periodically.

### CAUTION

You can access the web application even when a web content update is in progress. If you wish to ensure compatibility between programs when linking and running multiple PHP files, be sure to send a maintenance notification in advance or to choose a design that does not require you to stop the PHP application.

---

## Manual Update

### 1. Connect this product to a network

Connect this product to a network and turn on the product.

### 2. Start EPSON TMNet WebConfig

Access the address bar of the Web browser on the PC for setting to start EPSON TMNet WebConfig.

When SSL is disabled: [http://\[This product's IP address\]/webconfig](http://[This product's IP address]/webconfig)

When SSL is enabled: [https://\[This product's IP address\]/webconfig](https://[This product's IP address]/webconfig)

For detail, see "[Starting EPSON TMNet WebConfig](#)" on page 89.

### 3. Register the Web contents

From [Update Settings] in the [Web Service Settings] menu, register the Web contents to this product.

Click [Browse...], specify the zip file to be registered, and then click [Upload].

For detail, see "[Web Service Settings - Web Contents - Update Settings](#)" on page 97.

---

## Automatic Update

### 1. Connect this product to a network

Connect this product to a network and turn on the product.

### 2. Start EPSON TMNet WebConfig

Access the address bar of the Web browser on the PC for setting to start EPSON TMNet WebConfig.

When SSL is disabled: [http://\[This product's IP address\]/webconfig](http://[This product's IP address]/webconfig)

When SSL is enabled: [https://\[This product's IP address\]/webconfig](https://[This product's IP address]/webconfig)

For detail, see "[Starting EPSON TMNet WebConfig](#)" on page 89.

### 3. Set automatic update of Web contents

From [Update Settings] in the [Web Service Settings] menu, set automatic update of Web contents.

Select [Enable] from "Automatic Update".

Configure the settings such as the update frequency and timing of Web contents and the URL of the server where the file to be obtained is stored.

After setting, click [Apply] at the bottom of the screen. Then the settings are written to the product. If [Apply] is not clicked, the settings are not applied.

For detail, see "[Web Service Settings - Web Contents - Update Settings](#)" on page 97.

## Settings for Spooler

To use the spooler with this product, you need to enable the spooler using EPSON TMNet WebConfig.

### NOTE

- PHP cannot be used if the spooler is enabled.
- You can use with TM-i firmware Ver.4.1 or later for this product.

This section gives an overview of the setup procedure.

### 1. Connect this product to the network

Connect this product to the network and turn on the power.

### 2. Start EPSON TMNet WebConfig

On the setup computer, enter the following into the address bar of your Web browser to start EPSON TMNet WebConfig.

When SSL is disabled: [http://\[This product's IP address\]/webconfig](http://[This product's IP address]/webconfig)

When SSL is enabled: [https://\[This product's IP address\]/webconfig](https://[This product's IP address]/webconfig)

For details, see "[EPSON TMNet WebConfig](#)" on page 89.

### 3. Set the Spooler

Make spooler operation settings from [Settings] on the [Web Service Settings] menu.

Select [Enable] from [Spooler].

Set the number of retry times and the retry interval when the printer is not ready to print in [Retry Settings].

After making settings, click [Apply] at the bottom of the screen. The settings are saved to this product. Settings are not enabled unless you click [Apply].

For details, see "[Web Service Settings - Spooler - Settings](#)" on page 96.



## Settings for Print Forwarding

To use print forwarding on this product, you need to register the print forwarding route using EPSON TMNet WebConfig.

**NOTE**

- You can use with TM-i firmware Ver.4.1 or later for this product.
- When using print forwarding, make sure you enable the spooler.

This section gives an overview of the setup procedure.

### 1. Connect this product to the network

Connect this product to the network and turn on the power.

### 2. Start EPSON TMNet WebConfig

On the setup computer, enter the following into the address bar of your Web browser to start EPSON TMNet WebConfig.

When SSL is disabled: [http://\[This product's IP address\]/webconfig](http://[This product's IP address]/webconfig)

When SSL is enabled: [https://\[This product's IP address\]/webconfig](https://[This product's IP address]/webconfig)

For details, see "[Starting EPSON TMNet WebConfig](#)" on page 89.

### 3. Set the Spooler

Enable the spooler settings, and then set the number of retry times and the retry interval. For details, see "[Settings for Spooler](#)" on page 72.

### 4. Set the Print Forwarding Route

Set the print forwarding route from [Print forwarding] on the [Web Service Settings] menu.

In [Message Text], set the notification message printed when print forwarding occurs, and then click [Apply]. The settings for the forwarding message are saved to this product.

From [Print forwarding route to be registered], set the printer and location used for the print forwarding route, and then click [Register]. The settings for the print forwarding route are saved to this product.

After making each setting, click [Apply] or [Register]. Settings are not enabled unless you click [Apply] or [Register].

For details, see "[Web Service Settings - Spooler - Print forwarding](#)" on page 96.

## Settings for Device Data Notification

To use the device data notification function with this product, you need to make the following settings using EPSON TMNet WebConfig.

- Set the ID for the input device
- Set the target server
- Set the print message output when an error occurs

**NOTE**

You can use with TM-i firmware Ver.4.1 or later for this product.

This section gives an overview of the setup procedure.

### 1. Connect this product to the network

Connect this product to the network and turn on the power.

### 2. Start EPSON TMNet WebConfig

On the setup computer, enter the following into the address bar of your Web browser to start EPSON TMNet WebConfig.

When SSL is disabled: [http://\[This product's IP address\]/webconfig](http://[This product's IP address]/webconfig)

When SSL is enabled: [https://\[This product's IP address\]/webconfig](https://[This product's IP address]/webconfig)

For details, see "[Starting EPSON TMNet WebConfig](#)" on page 89.

### 3. Set the Device Data Notification

Make the necessary settings from [Device Data Notification] on the [Web Service Settings] menu.

After making settings, click [Apply] at the bottom of the screen. The settings are saved to this product. Settings are not enabled unless you click [Apply].

For details, see "[Web Service Settings - Server Access - Device Data Notification](#)" on page 100.

# Application Development Information

This chapter describes how to control the product and gives information useful for product application development.

## Controlling the Printer

The method for controlling the printer with your print application will depend on the system structure.

Controlling method	System	Page
Controlling printing and peripherals from iOS, Android and Windows applications, and Web applications.	Epson ePOS SDK The Epson ePOS SDK is a software development kit that integrates the ePOS-Print SDK and the ePOS-Device SDK.	<a href="#">page 76</a>
Controlling printing and peripheral operations from computer, smartphone, tablet terminals, and other devices	ePOS-Device XML	<a href="#">page 77</a>
Print from devices such as computers, smartphones, or tablets using a Web service	ePOS-Print XML	<a href="#">page 79</a>
Notification for data from the device is sent to the Web server which triggers the application (TM-i firmware Ver. 4.1 or later)	Device Data Notification	<a href="#">page 81</a>
Web server application prints by including print data in its responses to requests from the product	Server Direct Print	<a href="#">page 80</a>
Web system using this product as a Web server	Web Server	<a href="#">page 82</a>
Spooler and Print Forwarding (Supported by TM-i firmware Ver. 4.1 or later)	This function is available in combination with the following systems. <ul style="list-style-type: none"> <li>• Epson ePOS SDK</li> <li>• ePOS-Device XML</li> <li>• ePOS-Print XML</li> <li>• Device Data Notification</li> <li>• Server Direct Print</li> </ul>	<a href="#">page 83</a>

## Epson ePOS SDK

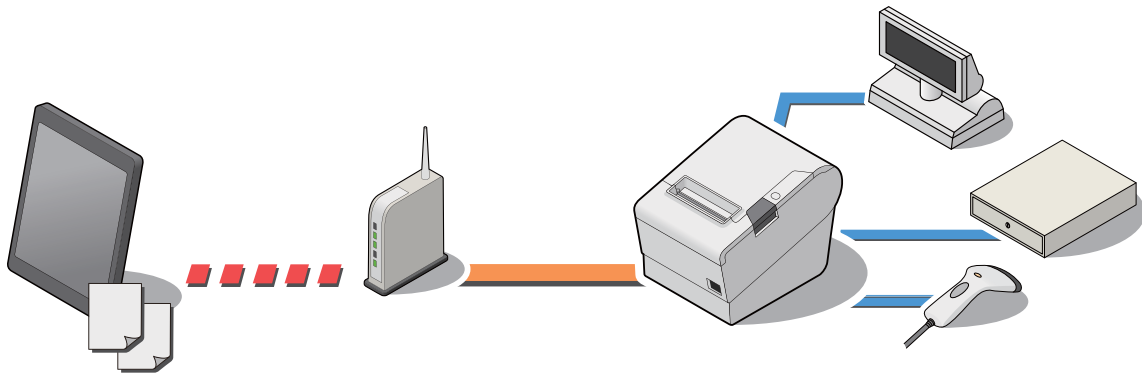
The Epson ePOS SDK is an SDK for developing iOS, Android and Windows applications, and Web applications. You can use the Epson ePOS SDK to control the printer with simple code.

Additionally, you can control customer displays, bar code scanners and other POS peripherals <sup>\*1</sup> connected to this product, and TM printers connected to the network.

Further, you can also develop application software using proprietary TM-Intelligent printer functions, such as the spooler <sup>\*2</sup> function and the communication box.

\*1: It is not available for TM-T88V-i (without a Serial port).

\*2: Supported by TM-i firmware Ver. 4.1 or later.



---

## Operation environment

For more information on the recommended operation environment for application software, refer to the Epson ePOS SDK User's Manuals.

---

## Package

The following packages are provided.

- Epson ePOS SDK for iOS
- Epson ePOS SDK for Android
- Epson ePOS SDK for Universal Windows apps
- Epson ePOS SDK for JavaScript

---

## Web Contents

A Web reference is provided on the following web site.

<https://reference.epson-biz.com/pos/reference/>

---

## How to obtain

Download from our web site.

## ePOS-Device XML

ePOS-Device XML is a command system that uses XML to define functions to control various POS peripherals (including this product printer unit) connected to this product. An application creates a request message in XML format and sends it to this product using socket communications.

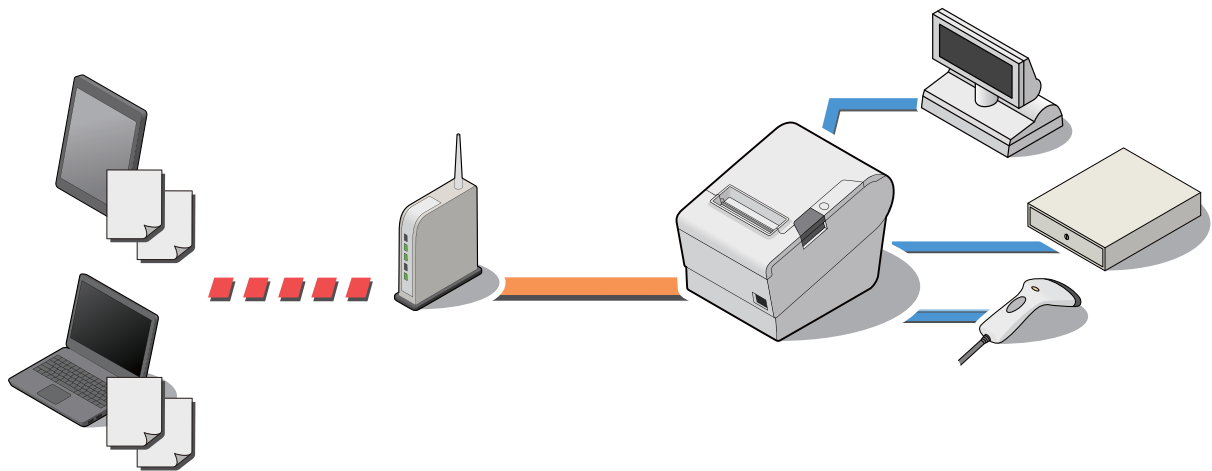
This product executes control on peripherals and returns a response.

This command system has the following features:

- It enables use of the following devices via this product:
  - Printing to TM printers on the network
  - Displaying to the customer display
  - Barcode scanner of USB interface, input via keyboard, etc.
  - Transmission/reception to/from serial communication device <sup>\*1</sup>
- Since print data can be saved in the spooler, the application can be released from print processing regardless of the printer status. <sup>\*2</sup>
- When a network printer is registered, forwarding process can be realized. Also when the printer is unavailable, you can print from another printer. <sup>\*2</sup>

\*1: It is not available for TM-T88V-i (without a Serial port).

\*2: Supported by TM-i firmware Ver. 4.1 or later.



### Operation environment

#### Application

Environment capable of performing socket communications and handling XML documents

#### OS

Example: iOS, Android, Windows, Linux, Mac OS, etc.

#### Terminal

Environment connected to the network and capable of performing socket communications

Example: Smartphone, tablet devices, computer, etc.

---

The package includes:

- ePOS-Device XML User's Manual
- Sample program

---

How to obtain

Download from our web site.

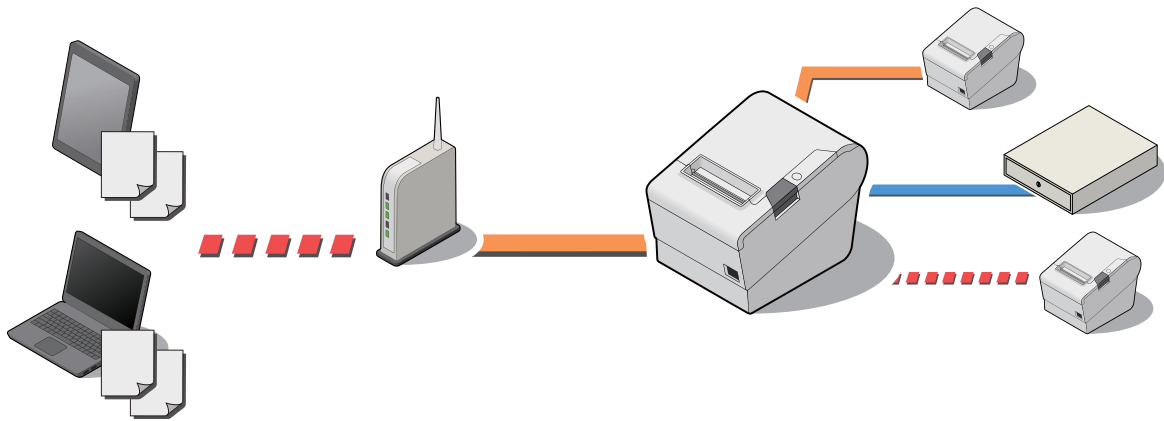
## ePOS-Print XML

ePOS-Print XML is a POS printer command system that uses XML to define the main functions for the ESC/POS command system. The application creates a request message in XML format and sends it to this product using HTTP.

You can print using this product as well as TM printers on a network.

This command system has the following features:

- Print in environments that allow HTTP/HTTPS communication.
- Print using this product as well as TM printers on a network.



3

---

### Operation environment

#### Application

Environment that allows HTTP/HTTPS communication and that can handle XML documents

#### OS

Example: iOS, Android, Windows, Linux, Mac OS, and so on

#### Devices

Environment connected to a network and that allows HTTP/HTTPS communication

Examples: Smartphones, tablets, computers, and so on

---

### The package includes:

The following is provided with the ePOS-Print XML User's Manual package.

- ePOS-Print XML User's Manual
- XML schema files
- Sample programs
- ePOS-Print Editor

---

### How to obtain

Download from our web site.

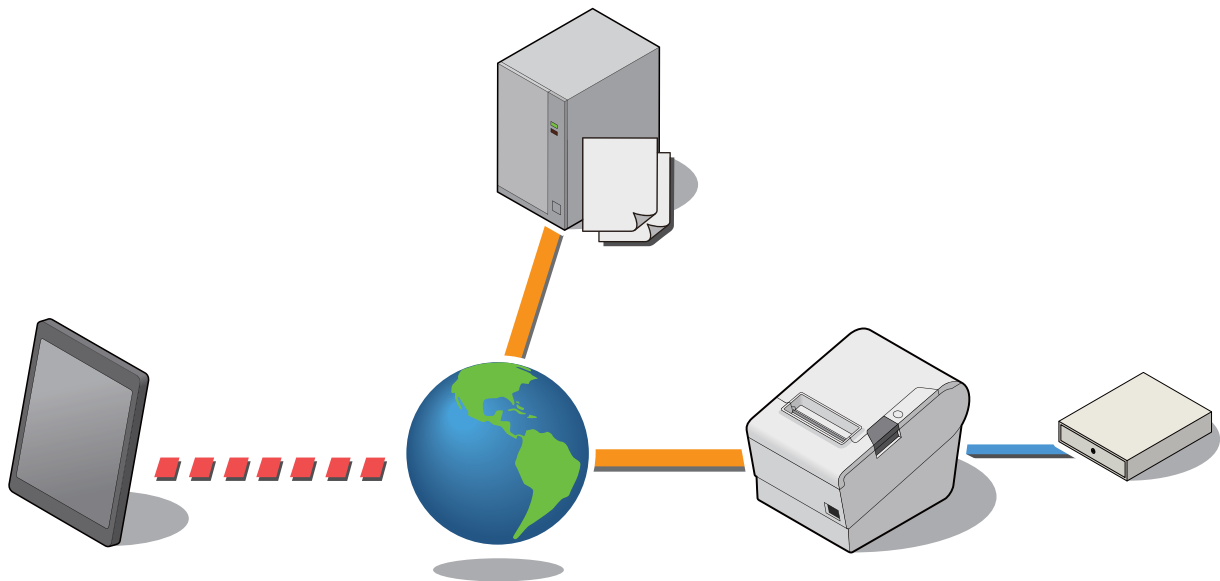
## Server Direct Print

The Server Direct Print function is used to print the print data acquired by this product from the Web server.

Enables a web server application to print to this product or a TM printer on the network by including print data in its responses to requests from the product.

This function has the following features:

- Can acquire print data from three different URLs. Print data can be used in ePOS-Device XML format.
- Printable to TM printers on the network via TM-T88V-i.



---

The package includes:

- Server Direct Print User's Manual
- Sample programs in ePOS-Print format

---

### How to obtain

Download from our web site.



## Device Data Notification

**NOTE**

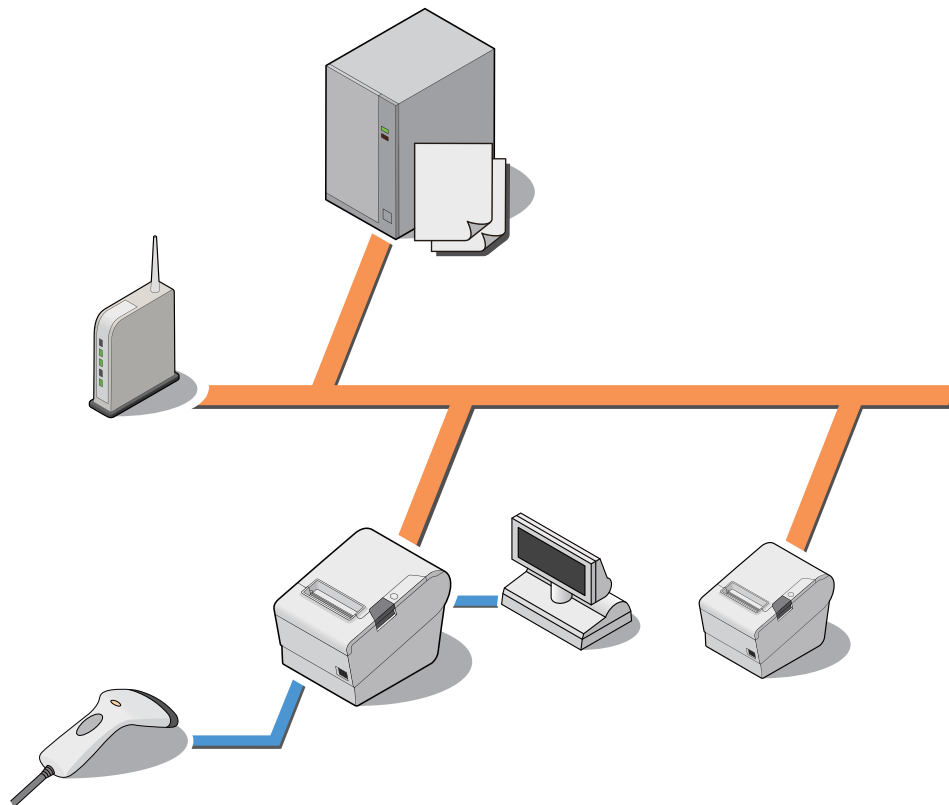
You can use with TM-i firmware Ver.4.1 or later for this product.

Data from the device can be requested to the Web server to trigger the application.

The response generated by the request of this product can include print data in ePOS-Device XML format, device control, and communication box control.

This comes with the following features.

- Input devices: Key input devices such as barcode scanners, serial communication devices, communication boxes
- Devices that can be controlled by responses from a Web server: Printers, customer displays, serial communication devices, and communication boxes



---

The package includes:

The following is provided with the Device Data Notification User's Manual package.

- Device Data Notification User's Manual
- Sample programs

---

### How to obtain

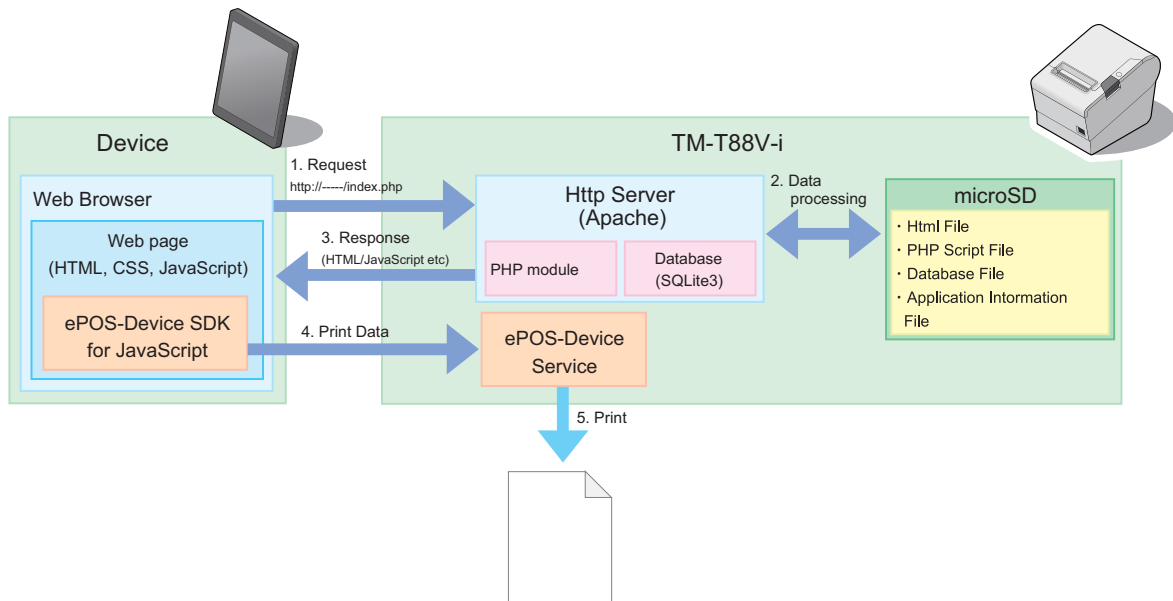
Download from our web site.

## Web Server

Equipped with Web server that supports the scripting language "PHP" and database "SQLite3". Using contents created with PHP, you can:

- Create dynamic Web pages.
- Manage user data by saving files and operating database.

The Web contents registered on this product can be automatically obtained or updated from a specified URL.



---

The package includes:

- PHP Setup Manual
- Sample program

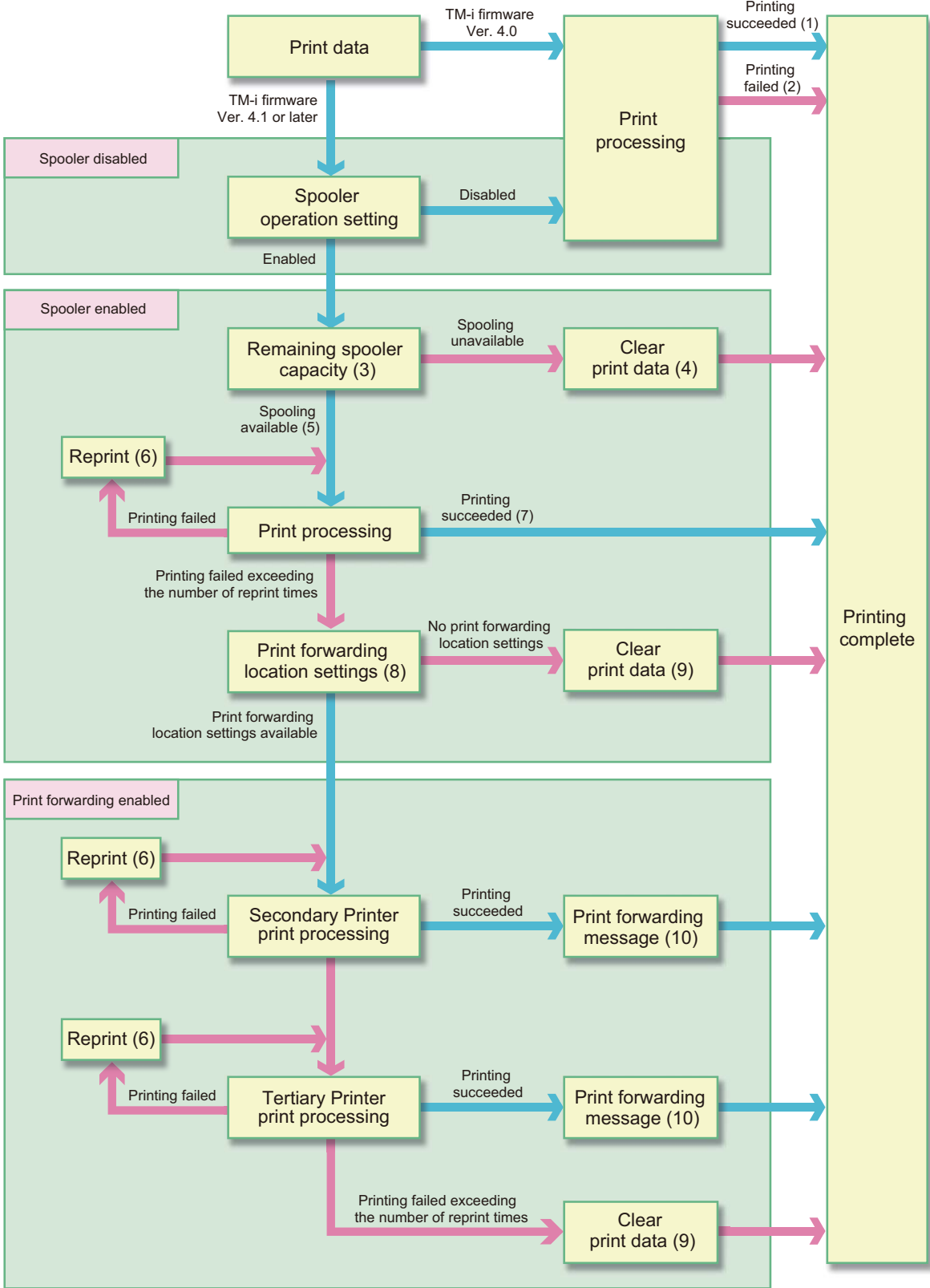
---

How to obtain

Download from our web site.

## Spooler and Print Forwarding

This section explains the print flow determined by whether or not the spooler or print forwarding is set for this product.



**CAUTION**

- When this product is turned off, data in the spooler and the log storage area is cleared.
- When printing cannot be performed with this products spooler or print forwarding, the print data is cleared. If printing has not been completed when checking in the application, we recommend reprinting.
- Print data that is too large for the remaining free space in the spooler is cleared. For the spooler capacity, see ["Software Specifications" on page 130](#).
- If the number of job IDs exceeds the maximum storage number, the IDs are overwritten starting with the oldest first. For the maximum storage number, see ["Software Specifications" on page 130](#).
- You cannot check the print results such as the spooler print data or job IDs from EPSON TMNet WebConfig.

- (1): TM-i firmware Ver. 4.0: [Print result = true] is returned to the application.  
TM-i firmware Ver. 4.1 or later: [JobID, Print result = true] is returned to the application.
- (2): TM-i firmware Ver. 4.0: [Print result = false, Error code = Printer status] is returned to the application.  
TM-i firmware Ver. 4.1 or later: [JobID, Print result = false, Error code = Printer status] is returned to the application.
- (3): The remaining free space in the spooler and the size of the print data is checked, and the product determines whether or not the print data can be spooled.
- (4): If the print data cannot be spooled, the print data is cleared. [JobID, Print result = false, Error code = EX\_SPOOLER (spooler stopped)] is returned to the application.  
This data is not stored in the product's spooler or the log storage area.
- (5): When print data can be spooled, [JobID, Print result = true] is stored in the spooler. [JobID, Print result = true] is also returned to the application.
- (6): Make the reprint settings (number of times and interval) in EPSON TMNet WebConfig. For details, see ["Web Service Settings - Spooler - Settings" on page 96](#).
- (7): When printing is successful, the spooler's print data and [JobID, Print result = true] are deleted. [JobID, Print result = true] are stored in the log storage area of this product.
- (8): Make the print forwarding location settings in EPSON TMNet WebConfig. For details, see ["Web Service Settings - Spooler - Print forwarding" on page 96](#).
- (9): When printing fails, the spooler's print data and [JobID, Print result = true] are deleted. [JobID, Print result = false, Error code = Printer status] are stored in the log storage area of this product.
- (10): Make the forwarding message settings in EPSON TMNet WebConfig. For details, see ["Web Service Settings - Spooler - Print forwarding" on page 96](#).

## Checking the print results

### When the spooler is disabled

After printing, the job ID and print results are returned to the application. Also, when printing cannot be performed, the job ID, print results, and error code are returned.

### When the spooler is enabled

- When print data cannot be spooled:  
[JobID, Print result = false, Error code = EX\_SPOOLER (spooler stopped)] is returned to the application.
- When print data can be spooled:  
After spooling the print data, [JobID, Print result = true] is returned to the application. Printing is not performed at this point. Make an inquiry from the application to this product to confirm if printing was performed.

### Checking the print results from the application

The method for checking the print results differs for each system.

- ePOS-Device XML and ePOS-Print XML:  
Request the empty print data specified for the job ID from the application.  
For details, see the ePOS-Device XML User's Manual or the ePOS-Print XML User's Manual.
- Epson ePOS SDK:  
Use an API that acquires job IDs to acquire the print results from the application.  
For details, see the Epson ePOS SDK User's Manual.
- Server direct print:  
Return the empty print data specified for the job ID as the response to the print request from this product.  
For details, see the Server Direct Print User's Manual.
- Device data notification:  
Request the empty print data specified for the job ID in ePOS-Device XML format.  
For details, see the Device Data Notification User's Manual.

When an inquiry is made from the application for the print results, this product returns the following information.

- Printing succeeded: [JobID, Print results = true]
- Printing failed: [JobID, Print result = false, Error code = Printer status]
- Printing or print forwarding: [JobID, Print result = false, Error code = Printing]

## Software and Manuals

The following software and manuals are provided for application development.

### CAUTION

- To use the TM-T88V Utility, connect the product with a PC for setting via the Micro-USB cable or LAN cable. Connecting the product with a PC via an wireless LAN is not possible.
- After using the TM-T88V Utility, be sure to turn off the product, and then turn it on.

### Software

Software	Description	Manual
TM-T88V Utility	Windows-based software. Use this utility for the following functions: <ul style="list-style-type: none"> <li>• Storing logos</li> <li>• Font settings</li> <li>• Printing control settings</li> <li>• Paper reduction settings</li> <li>• Automatic paper cut settings</li> <li>• Operation check</li> <li>• Setting backup/restore</li> </ul> Coupon and Electronic Journal are unavailable.	TM-T88V Utility User's Manual (Installed along with TM-T88V Utility.)
Epson Monitoring Tool	Use to check a list of status for the Epson printers connected to the network. You can also update certificates for multiple printers used for WPA-Enterprise in a batch.	Epson Monitoring Tool User's Manual
Epson ePOS SDK	The Epson ePOS SDK is a software development kit that integrates the ePOS-Print SDK and the ePOS-Device SDK. The ePOS-Device SDK does not support new products and functions released following the release of the Epson ePOS SDK. It is recommended that application software developed with the ePOS-Device SDK is migrated to the Epson ePOS SDK. For detail, refer to the Migration Guide included with the Epson ePOS SDK.	<ul style="list-style-type: none"> <li>• Epson ePOS SDK for iOS User's Manual</li> <li>• Epson ePOS SDK for iOS Migration Guide</li> </ul>
		<ul style="list-style-type: none"> <li>• Epson ePOS SDK for Android User's Manual</li> <li>• Epson ePOS SDK for Android Migration Guide</li> </ul>
		Epson ePOS SDK for Universal Windows apps User's Manual
		<ul style="list-style-type: none"> <li>• Epson ePOS SDK for JavaScript User's Manual</li> <li>• Epson ePOS SDK for JavaScript Migration Guide</li> </ul>
ePOS-Device XML	Sample files are provided for ePOS-Device XML.	ePOS-Device XML User's Manual

Software	Description	Manual
Server Direct Print	Sample files are provided for Server Direct Print.	Server Direct Print User's Manual
ePOS-Print XML	Sample files are provided for ePOS-Print XML.	ePOS-Print XML User's Manual
Device Data Notification	Sample files are provided for Device Data Notification.	Device Data Notification User's Manual
TM-i Firmware Update Tool	Tool for updating the TM-i firmware.	-

## Manual

Manual name	Description	Providing method
TM-T88V-i User's Manual	Describes how to use and set up this product.	Included with the product
TM-T88V-i Start Here	Describes points to be checked before using this product.	Included with the product
TM-T88V-i Technical Reference Guide (TM-i Firmware Ver.4.0 or later)	This document. Describes how to handle and set up this product.	Web
DM-D110/DM-D210 Technical Reference Guide	Describes how to handle and set up the DM-D110/DM-D210.	Web
OT-WL01 User's Manual	Included in the wireless LAN cable set (OT-WL01).	Included with the product
TM-i series WebConfig API User's Manual	Packs an API for setting EPSON TMNet WebConfig for this product. Using this API, you can set and reference EPSON TMNet WebConfig values from your application.	Web
PHP Setup Manual	Describes how to establish the PHP environment with the this product.	Web
TM-i series Easy Setup Guide	Explains procedures that enable settings on the TM-i to be made in a simple manner. You make the settings using a USB memory that contains a file of EPSON TMNet WebConfig setting values.	Web

---

## How to Get Manuals and the Utility

You can obtain manuals and the TM-T88V Utility from one of the following URLs.

For customers in North America, go to the following web site:

<http://www.epson.com/support/> and follow the on-screen instructions.

For customers in other countries, go to the following web site:

<https://download.epson-biz.com/?service=pos>



# EPSON TMNet WebConfig

EPSON TMNet WebConfig is a Utility to set the product on a web browser.

This section describes EPSON TMNet WebConfig using Internet Explorer as a browser.

## Starting EPSON TMNet WebConfig

Follow the steps below to start up EPSON TMNet WebConfig.

- 1 Start up a PC connected to the network.
- 2 Start up the web browser, and input the following.  
When SSL is disabled: `http://[This product's IP address]/webconfig`  
When SSL is enabled: `https://[This product's IP address]/webconfig`  
EPSON TMNet WebConfig starts.

### CAUTION

- For the product's IP address, see the status sheet. For the status sheet, see ["Confirming with a status sheet" on page 59](#).
- A user name and a password will be required on the authentication screen. Enter "epson" for both the user name and the password. You can change the password on the [Password Setting] screen (see ["Admin Settings - Administrator Information - Password" on page 106](#)).

## Help Screen Display

Click [Help] to display the help screen for EPSON TMNet WebConfig.

## Version Screen Display

Click [About] to display the version screen for EPSON TMNet WebConfig.

## General Information

You can check the general information of the TM-T88V-i.

Item		Description
Administrator Name		Displays the administrator name set by the user.
Location/Person		Displays the product's installation location set by the user.
Firmware Version		Shows the TM-i firmware version of the TM-T88V-i.
ePOS-Device Version		Shows the ePOS-Device service version.
Printer Serial Number		Shows the serial number of the TM-T88V-i.
Wired	MAC Address	Shows the MAC address for wired LAN.
Wireless	MAC Address	Shows the MAC address for wireless LAN.
	Hardware Version	Shows the hardware version for wireless LAN.
	Software Version	Shows the software version for wireless LAN.
	Communication Standard	Shows the communication standard.
	Network Mode	Shows the communication mode.
	SSID	Shows the SSID.
	Wireless LAN Frequency Region	Shows region codes.
	Ad-Hoc Channel	Shows the ad-hoc channel.
	Access Point (MAC Address)	Shows the MAC address for the access point.
	Signal Condition	Shows the signal strength.
SSL	SSL settings	Shows whether the SSL is enable or disable.
	Domain of the certificate	Shows the domain of the certificate.
	Validity period of the certificate	Shows the validity period of the certificate.
Time		Shows the date and the present time.
Refresh		Refreshes the information.

## Information - Wired - TCP/IP

You can check the TCP/IP setting for a wired LAN.

Item	Description
Get IP Address	Shows the method of getting the IP address.
Set using Automatic Private IP Addressing (APIPA)	Shows the APIPA setting.
IP Address	Shows the IP address set with the wired LAN. Nothing is shown when the wireless LAN is enabled.
Subnet Mask	Shows the subnet mask set with the wired LAN. Nothing is shown when the wireless LAN is enabled.
Default Gateway	Shows the default gateway set with the wired LAN. Nothing is shown when the wireless LAN is enabled.
Acquire DNS Server Address Automatically	Shows the method of getting the address of the DNS server.
DNS Server Address	Shows the addresses of the DNS server in order of usage when (Acquire DNS Server Address Automatically) is set to (Enable).

## Information - Wireless - TCP/IP

You can check the TCP/IP setting for a wireless LAN when the optional wireless LAN cable set (OT-WL01) is used.

Item	Description
Get IP Address	Shows the method of getting the IP address.
Set using Automatic Private IP Addressing (APIPA)	Shows the APIPA setting.
IP Address	Shows the IP address set with the wireless LAN. Nothing is shown when the wired LAN is enabled.
Subnet Mask	Shows the subnet mask set with the wireless LAN. Nothing is shown when the LAN is enabled.
Default Gateway	Shows the default gateway set with the wireless LAN. Nothing is shown when the wired LAN is enabled.
Acquire DNS Server Address Automatically	Shows the method of getting the address of the DNS server.
DNS Server Address	Shows the addresses of the DNS server in order of usage when (Acquire DNS Server Address Automatically) is set to (Enable).

## Information - Web Contents

You can check the update setting for web contents.

Item	Description
Update Schedule	Shows whether to enable or disable automatic update of Web contents. Shows the automatic update schedule when automatic update is enabled.
File URL	Shows the URL for the web content file to update automatically.
Date of Installed Web Contents	When automatic update setting is enabled: Shows the date and time when the registered web contents were created. When manual update setting is disabled: Shows time and date the Web contents are uploaded.
Date of Last Automatic Update	Shows the latest date and time when the web contents were installed on the TM-T88V-i automatically.
Status of Last Automatic Update	Shows the result of the last update of web contents on the TM-T88V-i.

## Information - Time

You can check the time setting.

Item	Description
Time	Shows the date and the present time.
Use Time Server	Shows whether time server is used for time setting.
Get Time Server	Shows the method of getting time server.
Time Server	Shows the IP address or host name of the time server.
Time Server Status	Shows the result of communication with the time server.

## Web Service Settings - Device Admin - Printer

You can set printers or check their operation.

### CAUTION

- This product cannot be deleted from a device.
- The "device ID" for this product can be changed. For detail, see to ["Changing Device ID of This Product" on page 66](#).

Item	Description	
Printer to be registered	Device ID	Sets the ID of a printer to register.
	Model	Selects the model of a printer to register.
	IP Address	Sets the IP address of a printer to register.
	Retry Interval (ms)	Sets the retry interval of a printer to register.
	Add	Adds a printer to the Device List.
Registered printers	Displays a list of registered printers.	
	Test Print	Performs a test printing. When SSL is enabled on this product, make sure that the certificate issued by the signature source certification authority of the SSL certificate imported to this product is registered in the computer or device.
	Delete	Deletes a registered printer.

## Web Service Settings - Device Admin - Customer Display

You can use this to set communication with the customer display and check its operation.

Item		Description
Customer Display		Set whether to use the Customer Display.
Communications settings	Communications speed (bps)	Set the communication speed.
	Data bit	Set the data bit length.
	Parity	Set the parity.
Brightness settings		Set the brightness of the customer display. You can set 20%, 40%, 60%, or 100%. The maximum brightness is 100%.
Test display		Performs a test display to the customer display. When SSL is enabled on this product, make sure that the certificate issued by the signature source certification authority of the SSL certificate imported to this product is registered in the computer or device.
Apply		Saves settings to TM-T88V-i.

### NOTE

Communication speed and other items must be set for this product in order to control the customer display as an RS232C-compliant serial communication device. Set these items to match the communication conditions of the customer display connected to.

- There is no need to install a USB RS232 conversion driver.
- If you use the default settings unchanged, there will be no need to alter the communication settings.

## Web Service Settings - Device Admin - Key Input Device

You can set the key input device or check their operation.

Item		Description
Key input device to be registered	Device ID	Set the ID for the key input device.
	Device name	Set the device name for the key input device.
	Control script	Set the device control script to control the key input device.
Add		Adds a device to the Device List.
Registered key input devices		Displays a list of registered key input devices.
	Operating test	Performs an operating test for a registered key input device. When SSL is enabled on this product, make sure that the certificate issued by the signature source certification authority of the SSL certificate imported to this product is registered in the computer or device.
	Delete	Deletes a registered key input device.

## Web Service Settings - Device Admin - Serial Communication Device

You can use this to set communication with a serial communication device and check its operation.

**CAUTION**

It is not available for TM-T88V-i (without a Serial port).

Item		Description
Serial communication device		Set whether to use the Serial communication device.
Communica- tions settings	Communications speed (bps)	Set the communication speed.
	Data bit	Set the data bit length.
	Parity	Set the parity.
	Stop bit	Set the stop bit.
	Flow control	Set the flow control.
Communication test		Performs a communication test. When SSL is enabled on this product, make sure that the certificate issued by the signature source certification authority of the SSL certificate imported to this product is registered in the computer or device.
Apply		Saves settings to TM-T88V-i.

## Web Service Settings - Device Admin - Search Printer

You can search and configure printers connected to this product through the network.

Item		Description
List of detected printers	Printer	Lists the printers connected to the same subnet network as this product, and their information.
	TCP/IP Setting	For making the TCP/IP setting for printers detected.
	Wireless LAN Setting	For making the wireless LAN setting for printers detected.
Refresh		Updates information.

## Web Service Settings - Spooler - Settings

You can set the spooler settings.

### NOTE

- You can use with TM-i firmware Ver.4.1 or later for this product.
- PHP cannot be used if the spooler is enabled.

Item		Description	
Basic Settings	Spooler	Enable or disable the spooler function.	
Retry Settings	Retry	Count	Set the number of retry times when a print error occurs. When print forwarding is set and an error occurs the set number of times, printing is performed using the print forwarding route.
		Interval(s)	Set the retry interval when a print error occurs.
Apply		Save settings to TM-T88V-i.	

## Web Service Settings - Spooler - Print forwarding

You can set the print forwarding route when using print forwarding with this product.

### NOTE

- You can use with TM-i firmware Ver.4.1 or later for this product.
- When using print forwarding, make sure you enable the spooler.

Item		Description
Message Text	Message Text	Set the text printed on notification messages when print forwarding occurs. One-byte alphanumeric characters: within 255 characters.
	Text Attributes	Set the text decorations for notification messages.
	Position	Set the print position for notification messages.
	Cut	Set whether or not to cut paper after printing a notification message.
Apply		Save the notification message settings for this product.
Print forwarding route to be registered	Primary Printer	Set the printer used for the print forwarding route.
	Secondary Printer	Set the printer for the print forwarding location when printing fails on the primary printer.
	Tertiary Printer	Set the printer for the print forwarding location when printing fails on primary printer and secondary printer.
Register		Save the settings for the print forwarding route to TM-T88V-i.
Registered Print forwarding routes		Display a list of the registered print forwarding routes.
	Delete	Clears the settings for selected print forwarding routes.



## Web Service Settings - Web Contents - Update Settings

You can use this to register web contents in this product and set updating for them.

See also ["Registering Web Contents" on page 67](#).

Item		Description
Automatic Update Settings	Automatic Update	Selects the method of updating web contents. Selecting (Enable) enables "Automatic Update Settings". Selecting (Disable) enables "Web Contents Manual Update".
	Frequency	Sets the frequency of automatic update for web contents.
	Timing	Sets the timing of automatic update for web contents.
	Update Time	Sets the start time of automatic update for web contents.
	ID	Sets ID for identifying this product at the Web server when (Automatic Update) is set to (Enable). This ID will be the user ID used for Digest authentication. This set value will also be passed as an ID parameter value for the form data posted to the server.
	Password	Set the user ID and password used for Digest authentication. Make sure to set a password as Digest authentication cannot be performed for the user ID without a password.
	File URL	Specifies the URL for a file to update automatically. After specifying it, clicking (File Access Test) checks whether the URL is specified correctly.
	Authenticate Server	Sets whether the server authentication is performed with the registered certificate when accessed through https.
	Apply	Saves settings to TM-T88V-i.
Web Contents Manual Update	Web Contents Archive File (*.zip)	Specifies the web content files to register.
	Upload	Registers the specified web contents on the TM-T88V-i.

## Web Service Settings - Server Access - Direct Print

You can set server direct print for the TM-T88V-i.

Item		Description
Server Direct Print		Sets whether to use the Server Direct Print function or not. Select (Enable) or (disable).
ID		Set ID for the server-side program to identify TM-T88V-i when (Server Direct Print) is set to (Enable). This ID becomes the user ID used for Digest access authentication. The set value will also be passed as an ID parameter value for the form data posted to the server.
Password		Set the user ID and password used for Digest authentication. Make sure to set a password as Digest authentication cannot be performed for the user ID without a password.
Server1 to 3	URL	Specifies the Web server URL and the application path when (Server Direct Print) is set to (Enable). <b>Example: http://(IP address of Web server)/Test_print.php</b> Click the (Access Test) button to check if the address is accessible.
	Interval(s)	Set the request interval when (Server Direct Print) is set to (Enable).
Authenticate Server		Sets whether the server authentication is performed with the registered certificate when accessed through https.
Apply		Saves settings to TM-T88V-i.

## Web Service Settings - Server Access - Status Notification

You can set Status Notification for the TM-T88V-i.

Item	Description
Status Notification	Sets whether to use the Status Notification function or not. Select (Enable) or (Disable).
ID	Set ID for the server-side program to identify TM-T88V-i when (Status Notification) is set to (Enable). This ID becomes the user ID used for Digest access authentication. The set value will also be passed as an ID parameter value for the form data posted to the server.
Password	Set the user ID and password used for Digest authentication. Make sure to set a password as Digest authentication cannot be performed for the user ID without a password.
URL	Specify the Test_print.php address of the Web server when (Status Notification) is set to (Enable). <b>Example: http://(IP address of the Web Server)/Test_status.php</b> Click the (Access Test) button to check if the address is accessible.
Interval(s)	Set the request interval when (Status Notification) is set to (Enable).
Authenticate Server	Sets whether the server authentication is performed with the registered certificate when accessed through https.
Apply	Saves settings to TM-T88V-i.

## Web Service Settings - Server Access - Device Data Notification

Set the device data notification for this product.

Item		Description	
Settings	Device Data Notification	Sets whether to use the Device Data Notification function or not. Select (Enable) or (Disable).	
	Server Access	ID	Set ID for the server-side program to identify TM-T88V-i when (Device Data Notification) is set to (Enable). This ID becomes the user ID used for Digest access authentication. The set value will also be passed as an ID parameter value for the form data posted to the server.
		Password	Set the user ID and password used for Digest authentication. Make sure to set a password as Digest authentication cannot be performed for the user ID without a password.
		URL	Specify the Test_print.php address of the Web server when (Device Data Notification) is set to (Enable). <b>Example: http://(IP address of the Web Server)/Test_status.php</b> Click the (Access Test) button to check if the address is accessible.
		Server Authentication	Sets whether the server authentication is performed with the registered certificate when accessed through https.
		Box ID	Set the Box ID for the communication device, when (Device Data Notification) is set to (Enable).
		POST Error	Print Message
	Message Text		Set the text for the error messages.
	Text Attributes		Set the text decorations for the error messages.
	Cut		Set whether or not to cut paper after printing an error message.
	Capture Devices	Devices	Select the devices that use device data notification.
Apply		Save settings to TM-T88V-i.	

## System Settings - Network - Wired

You can make settings for a wired LAN network.

Item	Description
Link Speed & Duplex	Sets the speed of data link layer.
Apply	Saves settings to TM-T88V-i.

## System Settings - Network - Wired - TCP/IP

You can make settings for a wired LAN such as IP address.

Item	Description
Get IP Address	Sets the method of getting the IP address.
Set using Automatic Private IP Addressing (APIPA)	Enables or disables the APIPA setting when (Get IP address) is set to (Auto).
IP Address	Sets the IP address when (Get IP Address) is set to (Manual).
Subnet Mask	Sets the subnet mask when (Get IP Address) is set to (Manual).
Default Gateway	Sets the default gateway when (Get IP Address) is set to (Manual).
Acquire DNS Server Address Automatically	Sets the method of getting the address of the DNS server.
DNS Server Address	Sets the addresses of the DNS server in order of usage when (Acquire DNS Server Address Automatically) is set to (Disable).
Apply	Saves settings to TM-T88V-i.

## System Settings - Network - Wireless

You can make settings for a wireless LAN network when the optional wireless LAN cable set (OT-WL01) is used.

Item	Description
Network Mode	Sets the communication mode.
SSID	Sets the SSID.
Ad-Hoc Channel	Sets the ad-hoc channel. (Available only in the ad-hoc mode)
Communication Standard	Sets the communication standard.
Authentication Method	Sets the authentication algorithm.
Security Mode	Sets the encryption algorithm.
Default WEP Key	Sets the WEP key to use.
WEP Key 1	Sets the WEP key 1 when (Security mode) is set to (WEP).
WEP Key 2	Sets the WEP key 2 when (Security mode) is set to (WEP).
WEP Key 3	Sets the WEP key 3 when (Security mode) is set to (WEP).
WEP Key 4	Sets the WEP key 4 when (Security mode) is set to (WEP).
WPA/WPA2 Pre-Shared Key	Enter the pass phrase of the pre-shared key when (Security mode) is set to "WPA" or "WPA2".
Apply	Saves settings to TM-T88V-i.

### CAUTION

- Initially, Authentication Method is set to Open System and Security Mode is set to None. To ensure security, be sure to change the settings before use.
- The following character types can be used for the SSID, WP key and WPA/WPA2 pre-shared key:
  - \* ASCII characters, including spaces

## System Settings - Network - Wireless - TCP/IP

You can change settings for a wireless LAN such as IP address when the optional wireless LAN cable set (OT-WL01) is used.

Item	Description
Get IP Address	Sets the method of getting the IP address.
Set using Automatic Private IP Addressing (APIPA)	Enables or disables the APIPA setting when (Get IP Address) is set to (Auto).
IP Address	Sets the IP address when (Get IP Address) is set to (Manual).
Subnet Mask	Sets the subnet mask when (Get IP Address) is set to (Manual).
Default Gateway	Sets the default gateway when (Get IP Address) is set to (Manual).
Acquire DNS Server Address Automatically	Sets the method of getting the address of the DNS server when (Get IP Address) is set to (Auto).
DNS Server Address	Sets the addresses of the DNS server in order of usage when (Acquire DNS Server Address Automatically) is set to (Disable).
Apply	Saves settings to TM-T88V-i.

## System Settings - Security - Authenticate Server

You can register certificates, configure the registered certificates, and delete them in this product.

Item	Description	
Import Certificates	Certificate Format	Specifies the file format for root CA certificates to be registered in this product. You can only specify the PEM format.
	Certificate File	Specifies certificate files to be registered in this product.
	Upload	Registers the specified certificate files in this product. Up to 6 files can be registered.
Certificate List	Certificate	Displays a list of the certificate files registered in this product and detailed information. Place a check mark next to a certificate displayed in the list to allow for the "Delete" operation.
	Detail	For checking detailed information on the certificates.
	Delete	Deletes a checked certificate.

## System Settings - Security - SSL

You can set the SSL communication settings.

Item	Description
Disable	Disables SSL authentication.
Remove the certificate	Select this checkbox to delete the SSL certificate.
Enable	Enables SSL authentication.
Update the certificate	Renews certificates registered to this product.
Create the self signed certificate	Registers the self-signed certificate to this product.
Private key file	Selects private key files registered to this product.
Certificate file	Selects server certificate files registered to this product.
Certificate chain file	Selects certificate chain files registered to this product.
Apply	Saves settings to TM-T88V-i.
Download	You can download certificate files (including self signed certificates) for this product.

### NOTE

- This product only supports TLS. SSL3.0 is not supported.
- HTTP communication is not available when SSL is enabled.
- When SSL is enabled, it will take about 1 minute and 30 seconds after the printer is turned on for printing to be possible.

## System Settings - Proxy - Proxy

You can change the proxy settings and service settings using proxy.

Item	Description
Proxy URL and Port Number	Enter the proxy server URL and port number in the following: "http://host name: port number". Example: <b>http://10.0.0.1:8008</b>
ID	Registers the authentication ID for using proxy authentication.
Password	Registers the authentication password for using proxy authentication.



Item		Description
Enable Proxy for following services:	Automatic Update	Sets whether the proxy is used for automatic update of Web contents.
	Direct Print	Sets whether the proxy is used for Server Direct Print.
	Status Notification	Sets whether the proxy is used for Status Notification.
	Device Data Notification	Sets whether the proxy is used for Device Data Notification.
Apply		Saves settings to TM-T88V-i.

## System Settings - Time - Time

You can set the time for the TM-T88V-i.

Item		Description
Time		Sets the time. Clicking (Get Time) shows the present time.
Time Zone (Hour)		Sets the time zone.
Time Server Setting	Use Time Server	Sets whether to use the time server or not for time setting.
	Get Time Server	Sets the method of getting the IP address/host name for the time server.
	Time Server	Sets the IP address/host name for the time server when (Get Time Server) is set to (Manual).
	Time Server Status	Shows the result of last getting time from the time server.
Apply		Saves settings to TM-T88V-i.

## Admin Settings - Maintenance - Reset

You can reset the network functions and restore the settings for EPSON TMNet WebConfig to the factory default settings.

Item	Description
Reset	Restarts the network functions while retaining the network setting values such as IP address. The settings for EPSON TMNet WebConfig other than the network settings are retained.
Factory Default	Restores the settings for EPSON TMNet WebConfig to the factory default settings. All the settings except for the internal time are initialized. Self-signed certificates, Web contents, and PHP contents registered to this product are also deleted. If a microSD card is inserted in this product, only the files in the webapp folder are deleted. Other folders and files are not deleted.

## Admin Settings - Administrator Information - Administrator

You can set the information for the administrator of the TM-T88V-i.

Item	Description
Administrator Name	Sets the name of the administrator of the TM-T88V-i.
Location/Person	Sets the location where the TM-T88V-i is installed.
Apply	Saves settings to TM-T88V-i.

## Admin Settings - Administrator Information - Password

You can change a password of EPSON TMNet WebConfig.

Item	Description
Old Password	Enter the current password.
New Password	Enter the new password.
Re-input Password	Enter the new password for confirmation.
Apply	Saves settings to TM-T88V-i.

### CAUTION

A user name and a password will be required on the authentication screen when you start up this utility and when you change settings. Enter "epson" for the user name and the password you set for the password.

## PHP settings

### Opening PHP Setting Screen

Follow the steps below to open the PHP Setting screen of EPSON TMNet WebConfig.

- 1** Start up a PC connected to the network.
- 2** Start up the Web browser, and input the following in the address bar.  
 When SSL is disabled: `http://[This product's IP address]/webconfig/PHPSetting`  
 When SSL is enabled: `https://[This product's IP address]/webconfig/PHPSetting`

### PHP settings

You can configure the PHP settings for this product.

Item		Description
PHP		Enables/disables PHP function.
Web Contents Save Storage		Shows the storage to save the Web contents.
microSD	Status	Displays whether microSD card can be used.
	Free Space / Total Size	Shows the free space and total size of the microSD card.
Apply		Saves settings to TM-T88V-i.

**NOTE**

The spooler cannot be used if PHP is enabled.

## Status sheet

Make sure the product is turned on, press the push button at the interface part for approximately 3 seconds. When you release the button, a status sheet on which network parameters are printed will be ejected. With the status sheet, you can check the network settings.

Press the push button with a thin object such as a tweezers.

### CAUTION

If you keep pressing the button for more than 10 seconds, the network settings are initialized.

### Information on a status sheet

```
*****  
EPSON Status Sheet  
*****
```

<General Information>

```
Firmware  
X.XX  
ePOS-Device  
X.XX  
Model  
TM-T88V-i  
Time  
yyyy-mm-dd hh:mm:ss  
GMT+hh:mm
```

⋮

<Server Direct Print>

```
Use  
Disable
```

<Status Notification>

```
Status Notification  
Disable
```

<Syslog Storage>

```
Use microSD  
No
```

<SSL>

```
Use  
Disable
```

Item	Description
<b>General Information</b>	Shows the product's TM-i firmware version, ePOS-Device version, product's name, and time.
Firmware	Shows the product's TM-i Firmware version.
ePOS-Device	Shows ePOS-Device service version.
Model	Shows "TM-T88V-i".
Time	Shows the date, the present time, and the time difference.
Administrator Name	Shows the administrator name.
Location/Person	Shows the location and the user name.
<b>Wired</b>	Shows wired LAN settings.
MAC Address	Shows the MAC address.
Link Speed & Duplex	Shows the speed of data link layer.
<b>Wired TCP/IP</b>	Shows TCP/IP settings for wired LAN.
Get IP Address	Shows the method of getting the IP address.
Set using Automatic Private IP Addressing (APIPA)	Shows the APIPA setting.
IP Address	Shows the IP address.
Subnet Mask	Shows the subnet mask.
Default Gateway	Shows the default gateway.
Acquire DNS Server Address Automatically	Shows the method of getting the address of the DNS server.
DNS Server Address	Shows the address of the DNS server.
<b>Wireless</b>	Shows wireless LAN settings.
MAC Address	Shows the MAC address.
Hardware Version	Shows the hardware version of the wireless LAN cable set (OT-WL01).
Software Version	Shows the software version of the wireless LAN cable set (OT-WL01).
Communication Standard	Shows the wireless LAN communication standard.
Network Mode	Shows the network mode.
SSID	Shows the SSID.
Wireless LAN Frequency Region	Shows the frequency range.
Ad-Hoc Channel	Shows the ad-hoc channel.
Authentication Method	Sets the authentication method.
Security Mode	Shows the encryption scheme.

Item	Description
<b>Wireless TCP/IP</b>	Shows TCP/IP settings for wireless LAN.
Get IP Address	Shows the method of getting the IP address.
Set using Automatic Private IP Addressing (APIPA)	Shows the APIPA setting.
IP Address	Shows the IP address.
Subnet Mask	Shows the subnet mask.
Default Gateway	Shows the default gateway.
Acquire DNS Server Address Automatically	Shows the method of getting the address of the DNS server.
DNS Server Address	Shows the address of the DNS server.
<b>Time Server Setting</b>	Shows time settings.
Use Time Server	Shows whether to use the time server or not.
Get Time Server	Shows the method of getting the time server's IP address and host name.
Time Server	Shows the IP address of the time server's IP address and host name.
Time Server Status	Shows the result of communication with the time server.
<b>Proxy Configuration</b>	Shows proxy settings.
Proxy URL	Shows the proxy server URL.
ID	Shows the proxy authentication ID to be registered.
Web Contents Update UseProxy	Shows whether the proxy is used when automatic updating for Web contents.
Server Direct Print UseProxy	Shows whether the proxy is used for Server Direct Print.
Status Notification UseProxy	Shows whether the proxy is used for Status Notification.
Device Data Notification UseProxy	Shows whether to use a proxy for device data notification.
<b>Device</b>	Prints the following information relating to printers registered to this product. <ul style="list-style-type: none"> <li>• Device ID</li> <li>• Model number</li> <li>• IP address</li> <li>• Connection status</li> </ul>

Item	Description
<b>Customer Display</b>	Shows the device ID <sup>*1</sup> and the following customer display information that is registered in this product.
Use	Shows whether using the customer display.
Communications speed <sup>*1</sup>	Shows the communication speed.
Data bit <sup>*1</sup>	Shows the data bit.
Parity <sup>*1</sup>	Shows the parity.
Brightness setting <sup>*1</sup>	Shows the brightness of the customer display.
<b>KeyInput Device</b>	Shows the device ID <sup>*2</sup> and following key Input devices information that is registered in this product.
Device name <sup>*2</sup>	Shows the device name and VID/PID.
Control script <sup>*2</sup>	Shows the control script of the key input device.
<b>Serial Communication Device</b>	Shows the device ID <sup>*3</sup> and following serial communication device information that is registered in this product.
Use	Shows whether using the serial communication device.
Communications speed (bps) <sup>*3</sup>	Shows the communication speed.
Data bit <sup>*3</sup>	Shows the data bit.
Parity <sup>*3</sup>	Shows the parity.
Stop bit <sup>*3</sup>	Shows the stop bit.
Flow Control <sup>*3</sup>	Shows the flow control.
<b>Web Contents Update</b>	Shows update settings for web contents.
Use Automatic Update	Shows whether automatic updating of web contents is enabled or disabled.
Date of Installed Web Contents <sup>*4</sup>	Automatic update setting: Shows time and date the Web contents (zip file) are created. Manual update setting: Shows time and date the Web contents are uploaded.
Date of Last Automatic Update <sup>*4</sup>	Shows last automatically updated time and date.
Status of Last Automatic Update <sup>*4</sup>	Shows last automatically updated results.

Item	Description
<b>Server Direct Print</b>	Shows Server Direct Print settings.
Use	Shows Enable or Disable of Server Direct Print.
ID * <sup>5</sup>	Shows ID for the server-side program to identify TM-T88V-i.
Authenticate Server * <sup>5</sup>	Shows whether the server authentication is performed with the registered certificate when accessed through https.
Server1 to 3 * <sup>5</sup>	Shows the information of the registered web server.
URL * <sup>5</sup>	Shows the URL of the registered web server.
Access Test * <sup>5</sup>	To perform the test access to the Web server, and shows the results.
Interval(s) * <sup>5</sup>	Shows the request interval.
<b>Status Notification</b>	Shows Status Notification settings.
Status Notification	Shows Enable or Disable of Status Notification.
ID * <sup>6</sup>	Shows ID for the server-side program to identify TM-T88V-i.
URL * <sup>6</sup>	Shows the URL of the registered web server and path to the application.
Authenticate Server * <sup>6</sup>	Shows whether the server authentication is performed with the registered certificate when accessed through https.
Access Test * <sup>6</sup>	To perform the test access to the Web server, and shows the results.
Interval(s) * <sup>6</sup>	Shows the request interval.
<b>Device Data Notification</b>	Shows the device data notification.
Use	Shows enable/disable for the device data notification.
ID * <sup>7</sup>	Shows the ID used to identify this product on the Web server.
URL * <sup>7</sup>	Shows the set IP address information or host name.
Server Authentication * <sup>7</sup>	When performing https access, shows whether or not to perform server authentication using a registered certificate.
Access Test * <sup>7</sup>	Perform an access test to the Web server and show the results.
Box ID * <sup>7</sup>	Shows the Box ID for the communication box.
Print Message * <sup>7</sup>	When a data notification error occurs, shows whether or not an error message is printed.
Device name * <sup>7</sup>	Shows the device ID for devices that use device data notification.



Item	Description
<b>Spooler</b>	Shows spooler settings.
Use	Shows enable/disable for the spooler.
Count * <sup>8</sup>	Shows the number of retry times when printing from the spooler.
Interval(s) * <sup>8</sup>	Shows the retry interval when printing from the spooler.
<b>Print forwarding</b>	Shows the printer forwarding route settings for the spooler.
Print forwarding routes	Shows the route for print forwarding.
<b>Syslog Storage</b>	Reserved for system.
Use microSD	Reserved for system.
<b>SSL *<sup>9</sup></b>	Shows the SSL settings.
Use	Shows enable/disable for the SSL.

\*1: Printed only when the customer display is registered to ePOS-Device (see [page 94](#)).

\*2: Printed only when the key input devices are registered to ePOS-Device (see [page 94](#)).

\*3: Printed only when the serial communication device is registered to ePOS-Device (see [page 95](#)).

\*4: Printed only when the automatic update setting for web contents is enabled (see [page 97](#)).

\*5: Printed only when the server direct print is enabled (see [page 98](#)).

\*6: Printed only when the status notification is enabled (see [page 99](#)).

\*7: Printed only when the device data notification is enabled (see [page 100](#)).

\*8: Printed only when the spooler settings are enabled (see [page 96](#)).

\*9: TM-i firmware Ver. 4.3 or later.

# Setting/Checking Modes

Besides the ordinary print mode, the printer has the following modes to set or check settings of the printer.

- Self-test Mode
- Hexadecimal Dumping Mode
- NV Graphics Print Mode
- Receipt Enhancement Information Print Mode
- Software Setting Mode

## Self-test Mode

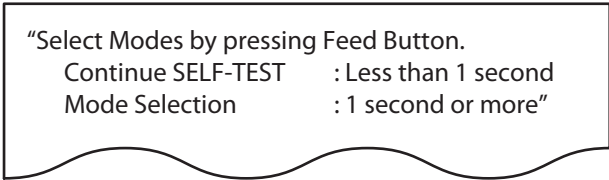
You can confirm the following information by running the self-test mode.

- Control software version
- Receive buffer size
- Busy conditions
- Built-in character sets
- Print density
- Maintenance Information (Print head running length, count of autotrimming)
- DIP switch settings

Follow the steps below.

- 1** Close the roll paper cover.
- 2** While pressing the Feed button, turn on the printer. (Keep pressing the Feed button until the printer starts printing.)

After the printer status is printed, the self-test printing continuance guidance is printed and Paper LED flashes.



"Select Modes by pressing Feed Button.  
Continue SELF-TEST : Less than 1 second  
Mode Selection : 1 second or more"

- 3** Press the Feed button for less than 1 second to continue the self-test. Built-in characters are printed with rolling printing. After printing "\*\*\* completed \*\*\*", the printer is initialized and enters the normal mode.

## NV Graphics Print Mode

You can confirm the following information by running NV graphics print mode:

- Capacity of the NV graphics
- Used amount of the NV graphics
- Unused capacity of the NV graphics
- Number of NV graphics that are registered
- Key code, number of dots in X direction, number of dots in Y direction, number of colors to be defined.
- NV graphics data

Follow the steps below.

- 1 Close the roll paper cover.
- 2 While pressing the Feed button, turn on the printer. (Keep pressing the Feed button until the printer starts printing.)

After the printer status is printed, the self-test printing continuance guidance is printed and Paper LED flashes.



"Select Modes by pressing Feed Button.  
Continue SELF-TEST : Less than 1 second  
Mode Selection : 1 second or more"

- 3 Hold down the Feed button for 1 second or more to move to mode selection.  
The mode selection guidance is printed and Paper LED flashes.
- 4 Press the Feed button for less than 1 second and then hold down for more than 1 second to print the NV graphics information.  
After the information is printed, the mode selection guidance is printed again.
- 5 To exit, turn off the printer or select "Exit and Reboot Printer".

## Receipt Enhancement Information Print Mode

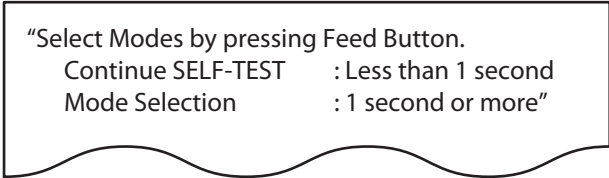
You can confirm the following information by running the R/E information mode:

- Automatic top logo setting
- Automatic bottom logo setting
- Extended settings for automatic top/bottom logo

Follow the steps below.

- 1** Close the roll paper cover.
- 2** While pressing the Feed button, turn the power on. (Keep pressing the Feed button until the printer starts printing.)

After the printer status is printed, the self-test printing continuance guidance is printed and Paper LED flashes.



"Select Modes by pressing Feed Button.  
Continue SELF-TEST : Less than 1 second  
Mode Selection : 1 second or more"

- 3** Hold down the Feed button for 1 second or more to move to mode selection.  
The mode selection guidance is printed and Paper LED flashes.
- 4** Press the Feed button for less than 1 second two times and then hold down for more than 1 second to print the Receipt Enhancement Information.  
After the information is printed, the mode selection guidance is printed again.
- 5** To exit, turn off the printer or select "Exit and Reboot Printer".

## Software Setting Mode

You can configure the memory switches (customized values) of the product.

- Print density
- Auto reduction of the amount of paper to use
- Autocutting of paper while the cover is closed
- Paper width
- Default value of character code page/international character set
- Auto replacement of font
- Power supply capacity

### NOTE

For detailed information about memory switches (customized value), see "[Setting the Memory Switches \(Customized Value\)](#)" on page 54.

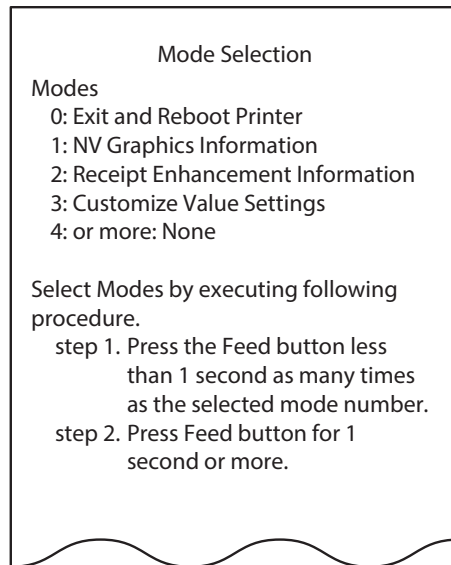
Follow the steps below.

- 1 Close the roll paper cover.
- 2 While pressing the Feed button, turn on the printer. (Keep pressing the Feed button until the printer starts printing.)  
After the printer status is printed, the self-test printing continuance guidance is printed and Paper LED flashes.

"Select Modes by pressing Feed Button.  
Continue SELF-TEST : Less than 1 second  
Mode Selection : 1 second or more"

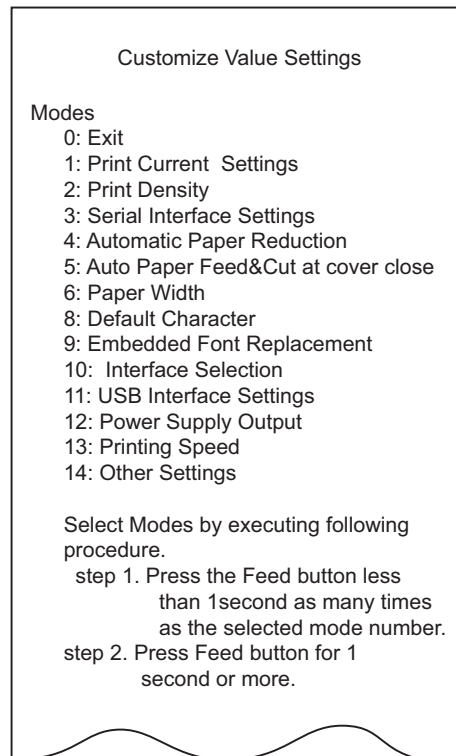
**3** Hold down the Feed button for 1 second or more to move to mode selection.

The mode selection guidance is printed and Paper LED flashes.



**4** Press the Feed button for less than 1 second three times and then hold down for more than 1 second to print the Receipt Enhancement Information.

After the information is printed, the mode selection guidance is printed again.



- 5** Press the Feed button for less than 1 second the number of times as shown in the print result and then hold down for more than 1 second to select the item to be set.  
The specified value (option), currently set value, and initial value for the selected item are printed.
- 6** Select the setting value by pressing the Feed button for less than 1 second the corresponding number of times and confirm it by holding down the button for more than 1 second.  
After the settings are saved, the Software Setting Mode guidance is printed and Paper LED flashes.  
For some items, item selection continues before printing the values.  
For details on the setting items, see ["Setting Items for Software Setting Mode" on page 141](#).
- 7** To exit the Software Setting Mode, turn off the printer, or select "Exit" to return to the mode selection guidance and then select "Exit and Reboot Printer".

**NOTE**

- To select the item No. "0", keep pressing the Feed button until the printer starts printing.
- If the button is pressed the number of times that is not shown on the guidance, the operation is invalid and the same guidance is printed.

## Hexadecimal Dumping Mode

In the hexadecimal dumping mode, the printer prints the data transmitted from a host computer in hexadecimal numbers and their corresponding characters.

Follow the steps below to run this mode.

### NOTE

- If there is no character corresponding to print data, "." is printed.
- If print data is less than one line, press the Feed button to print the line.
- Applications that confirm printer status may not work correctly during the hexadecimal dumping mode. The printer returns only the status for "Transmit real-time status."

Follow the steps below.

- 1** Open the roll paper cover.
- 2** While pressing the Feed button, turn on the printer. (Keep pressing the Feed button until the Error LED is flashing.)
- 3** Close the roll paper cover.  
After this, all the data received by the printer is printed in hexadecimal numbers and their corresponding ASCII characters.

Printing example:

```
Hexadecimal Dump
To terminate hexadecimal dump,
press FEED button three times.

1B 21 00 1B 26 02 40 40 1B 69 . ! . . & . @ @ . i
1B 25 01 1B 63 34 00 1B 30 31 . % . . c 4 . . 0 1
41 42 43 44 45 46 47 48 49 4A A B C D E F G H I J

*** completed ***
```

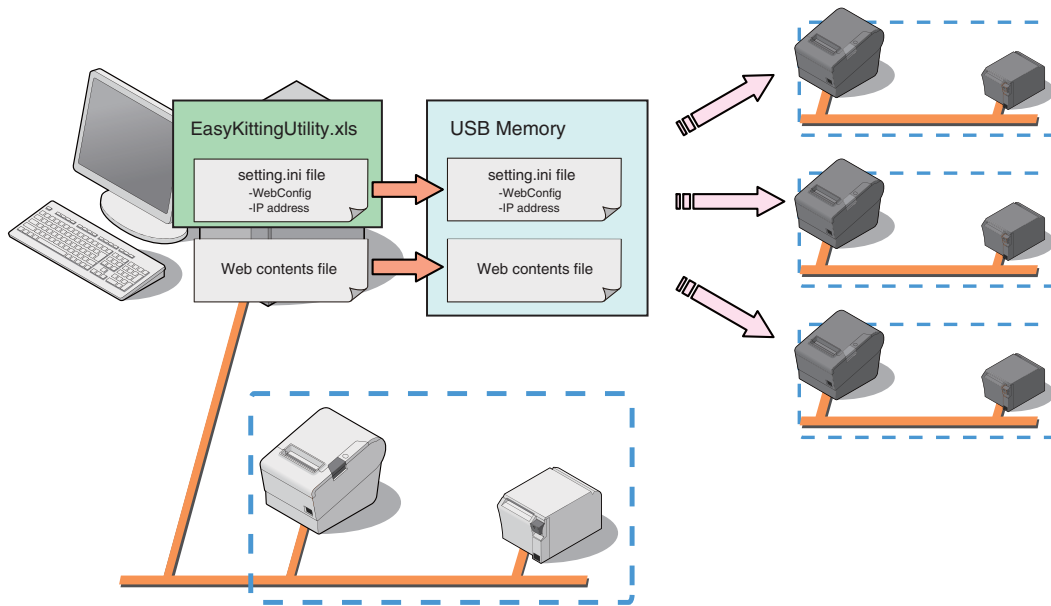
- 4** Turn off the printer or press the Feed button three times to return to the normal mode.



## Easy Setup

Easy setup is a function that allows you to set the EPSON TMNet WebConfig by simply inserting a USB memory stick and turning on the power. The USB memory stick should contain a file (setting.ini) with the setting values for EPSON TMNet WebConfig and a file with web content. When a TM printer connected from TM-i via the network is used, it is also possible to configure the network settings such as the IP address for the TM printer at the same time.

For detail, refer to “TM-i series Easy Setup Guide”.



---

## Checking/Updating TM-i Firmware

### Checking the TM-i Firmware Version

- Use "Software" in the status sheet ([page 59](#))
- Use "General" in EPSON TMNet WebConfig ([page 90](#))

### Updating TM-i Firmware

You can use the TM-i Firmware Update Tool to do the update.

For detail, see "[Software](#)" on [page 86](#).

# Handling

This chapter describes basic handling of the product.

## *Installing and Replacing Roll Paper*



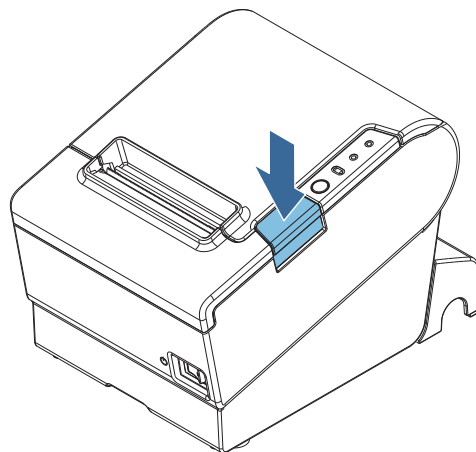
**WARNING**

- **Do not open the roll paper cover during printing.**  
The product may be damaged.
- **Do not touch the manual cutter with your hands when installing or replacing the roll paper.**  
Otherwise, you may be injured because the manual cutter blade is sharp.

**CAUTION**

- Use roll paper that meets the product specification. For details about paper specification, see ["Paper Specifications" on page 136](#).
- Paper must not be pasted to the roll paper core.

- 1 Press the cover open lever to open the roll paper cover.

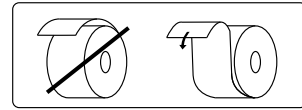
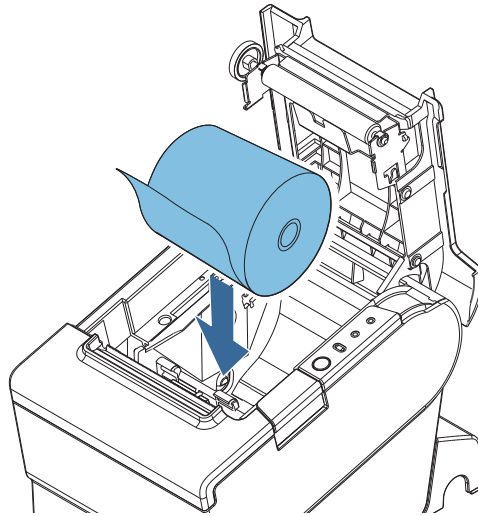


**CAUTION**

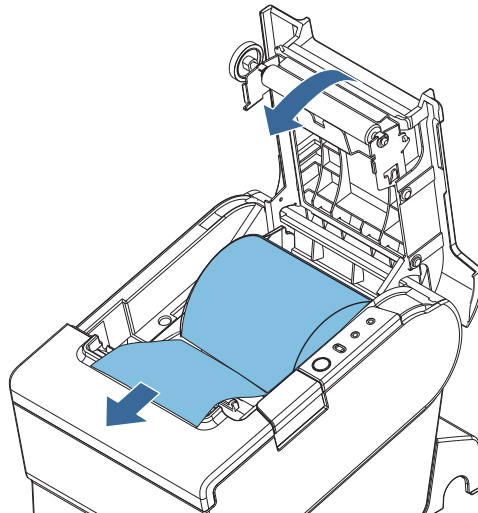
When the roll paper cover cannot be opened, see ["Removing Jammed Paper" on page 125](#).

- 2 Remove the used roll paper core, if any.

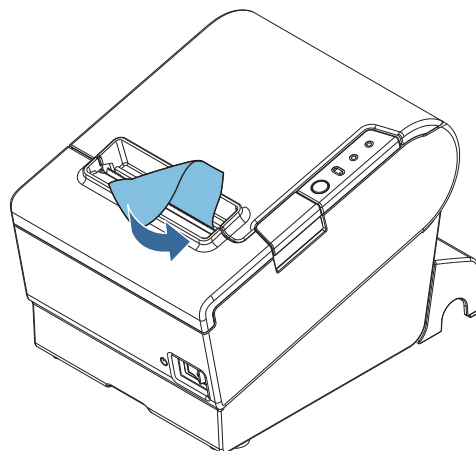
**3** Install the roll paper in the correct direction.



**4** Pull out some roll paper, and close the roll paper cover.



**5** Tear off the roll paper with the manual cutter.



## Removing Jammed Paper

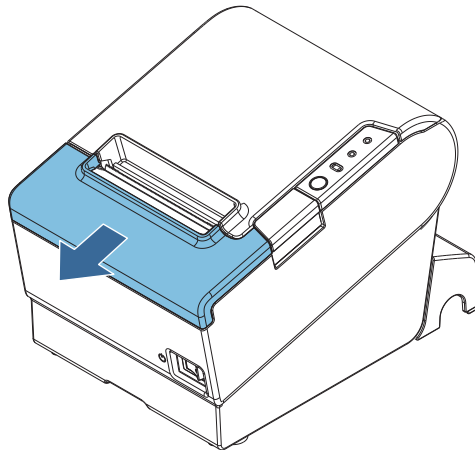
When a paper jam occurs, never pull out the paper forcibly. Open the roll paper cover and remove the jammed paper.

When the roll paper cover cannot be opened, follow the steps below to remove the jammed paper.

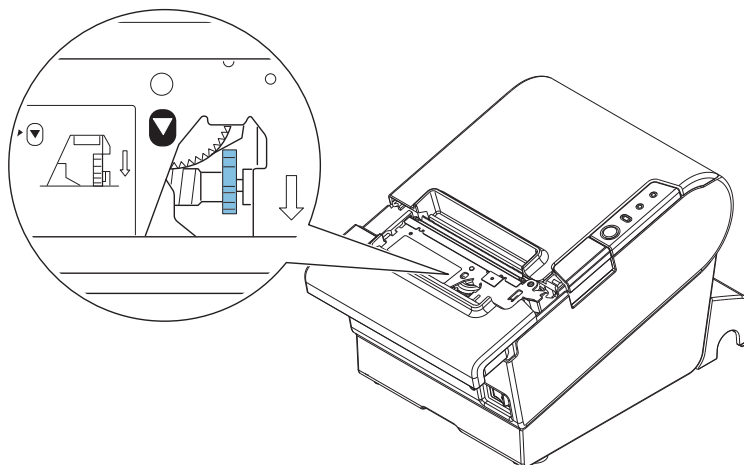


**Do not touch the thermal head** (See ["Cleaning the Thermal Head/Platen Roller"](#) on page 126.) **because it can be very hot after printing.**

- 1** Turn off the product.
- 2** Slide the cutter cover toward the front to open it.



- 3** Turn the knob until you see a triangle in the opening.  
This returns the cutter blade to the normal position. There is a label near the cutter to assist you.



- 4** Close the cutter cover.
- 5** Open the roll paper cover and remove the jammed paper.

# Cleaning the Printer

## Cleaning the Printer Case

Be sure to unplug the AC cable from the wall socket, and turn off the printer before cleaning. Wipe the dirt off the printer case with a dry cloth or a damp cloth.



**Never clean the product with alcohol, benzene, thinner, or other such solvents.**  
Doing so may damage or break the parts made of plastic and rubber.

## Cleaning the Thermal Head/Platen Roller

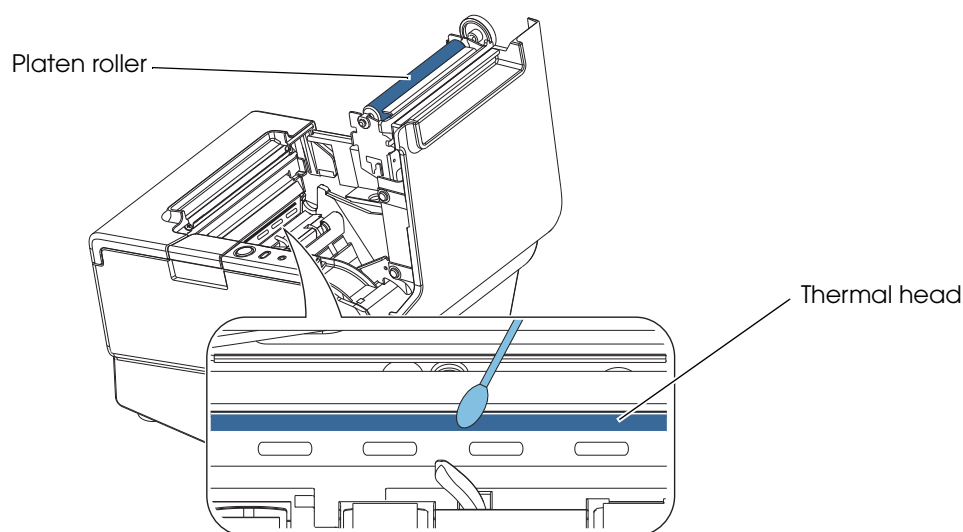
Epson recommends cleaning the thermal head periodically (generally every 3 months) to maintain receipt print quality.

Depending on the roll paper used, paper dust may stick to the platen roller and roll paper end sensor. To remove the paper dust, clean the platen roller and roll paper end sensor with a cotton swab moistened with water. Turn on the product power only after the water has completely dried.

Turn off the product, open the roll paper cover, and clean the thermal elements of the thermal head with a cotton swab moistened with an alcohol solvent (ethanol or isopropyl alcohol).



- **After printing, the thermal head can be very hot. Do not touch it and let it cool before you clean it.**
- **Do not damage the thermal head by touching it with your fingers or any hard object.**



## *Preparing for Transport*

Follow the steps below to transport the product.

- 1** Turn off the product.
- 2** Remove the AC adapter.
- 3** Remove the roll paper.
- 4** Pack the product upright.





# Appendix

## Product Specifications

		80 mm width paper printing	58 mm width paper printing
Printing method		Thermal line printing	
Cutting method		Partial cut (cutting with one point in left edge left uncut)	
Roll paper (single-ply) width		79.5 ± 0.5 mm (3.13 ± 0.02")	57.5 ± 0.5 mm (2.26 ± 0.02")
Interfaces	USB host port	<ul style="list-style-type: none"> <li>Standards: USB2.0 (High/Full/Low speed)</li> <li>No. of ports: 5 ports</li> <li>Connector: Type A x 4, Micro-USB (Type Micro-AB) x 1</li> </ul>	
	USB device port	<ul style="list-style-type: none"> <li>Standards: USB2.0 (High/Full/Low speed)</li> <li>No. of ports: 1 port (shared with the host port)</li> <li>Connector: Micro-AB</li> </ul>	
	Serial <sup>*1</sup>	<ul style="list-style-type: none"> <li>Flow control: XON/XOFF control or DTR/DSR control</li> <li>Baud rate: Maximum 115200 bps (bps: bits per second)</li> <li>Parity: Odd, Even, None</li> <li>Connector: D-sub 9 pin (Male)</li> </ul>	
	microSD card	<ul style="list-style-type: none"> <li>No. of slots: 1 slot</li> <li>Connector:           <p>Make sure that the product power is turned off before inserting or removing a microSD card.</p> <p>Use a microSD card with wear leveling.</p> </li> </ul>	
	Ethernet	10Base-T/100Base-TX	
	Wireless LAN <sup>*2</sup>	IEEE802.11b/g/n	
	Drawer kick	<ul style="list-style-type: none"> <li>Pin: 6 pin</li> <li>Connector: Modular (only for cash drawer or external optional buzzer)</li> </ul>	
Buffers	Receive buffer	4 KB/45 bytes (selectable using DIP switch 1-2)	
	Downloaded buffer	12 KB (downloaded images)	
	NV graphics data	256 KB	
Barcode/two-dimensional symbol/printing		JAN 8 (EAN 8), JAN 13 (EAN 13), UPC-A, UPC-E, CODE 39, ITF, CODABAR (NW-7), CODE 93, CODE 128, PDF417, QR CODE, MaxiCode, GS1-128, GS1 DataBar Omnidirectional, GS1 DataBar Truncated, GS1 DataBar Stacked, GS1 DataBar Stacked Omnidirectional, GS1 DataBar Limited, GS1 DataBar Expanded, GS1 DataBar Expanded Stacked	
Power supply		AC adapter, RA (Model: M266A)	

		80 mm width paper printing	58 mm width paper printing
Life	Mechanism	20 million lines	
	Thermal head	150 million pulses 150 km	
	Autocutter	2,000,000 cuts	
	MTBF	360,000 hours	
	MCBF	70,000,000 lines	
Temperature/humidity		Operating: 5 to 45 °C {41 to 113 °F}, 10 to 90 %RH Storage: -10 to 50 °C {14 to 122 °F}, 10 to 90 %RH	
Overall dimensions		145 × 195 × 148 mm {5.71 × 7.68 × 5.83"} (W × D × H)	
Weight (mass)		Approx. 1.6 kg {3.5 lb} (roll paper excluded)	

\*1: Not available for TM-T88V-i (without a Serial port).

\*2: When the optional wireless LAN cable set (OT-WL01) is used.

## Software Specifications

Print control	Epson ePOS SDK, ePOS-Device XML, ePOS-Print XML, Server Direct Print, Device Data Notification
Utility	<ul style="list-style-type: none"> <li>• EPSON TMNet WebConfig * <ul style="list-style-type: none"> <li>* Network setting (Ethernet/Wireless LAN)</li> <li>* Web contents registration</li> <li>* ePOS-Device setting</li> <li>* Server Direct Print/Status Notification setting</li> <li>* Printer's Device ID settings</li> <li>* Spooler and Print Forwarding settings</li> <li>* Device Data Notification settings</li> </ul> </li> <li>• Easy Setup <ul style="list-style-type: none"> <li>* EPSON TMNet WebConfig settings</li> </ul> </li> </ul> <p>*: Settings can be changed or viewed through a Web browser on your computer or tablet terminal.</p>
Spooler capacity	8 MB
Maximum number of JobID	2,000

## Controllable Peripherals

### Network Printer

Network printers \ TM-i model	ANK models	Traditional Chinese models	South Asia models	Simplified Chinese models
The following product's printers of TM-ii				
TM-T88V-i (TM-i Firmware Ver.4.0 or later)	✓	✓	✓	✓
TM-T70-i (TM-i Firmware Ver.4.0 or later)	✓	✓	✓	✓
TM-T20II-i	✓	-	-	-
TM-T82II-i	✓	✓	✓	✓
TM-U220-i	✓	-	-	-
The following printers with the UB-E02, UB-E03, UB-R03, or UB-R04 embedded				
TM-T88V <sup>*1</sup>	✓	✓	✓	-
TM-T88IV	✓	✓	✓	✓
TM-T70	✓	✓	✓	✓
TM-T70II	✓	✓	✓	✓
TM-T90	✓	✓	✓	-
TM-L90	✓	✓	✓	✓
TM-T20	✓	-	-	-
TM-T20II	✓	-	-	-
TM-T82II	✓	✓	✓	✓
TM-U220	✓	✓	✓	✓
The following TM printers (Wi-Fi <sup>®</sup> model)				
TM-P60II (Including Peeler model)	✓	-	-	-
TM-P80	✓	-	-	-
TM-P20 <sup>*2</sup>	✓	✓	✓	-

\*1: TM-T88IV Compatible mode is not supported.

\*2: You can use with TM-i firmware Ver.4.1 or later for this product.

## Other Device

Customer Display	DM-D110
Key Input Device	Barcode scanner, Keyboard
Serial Communication Device *	Device that has a serial interface, such as a scale, cash recycle or CAT terminal. ePOS-Device SDK provides only an API that sends/receives commands. For control of a serial communication device, you will have to use an application of your own.
Cash drawer	Cash drawer

\*: Not available for TM-T88V-i (without a Serial port).

## Printing Specifications

		80 mm width paper printing	58 mm width paper printing
Printing method		Thermal line printing	
Dot density		180 × 180 dpi	
Printing direction		Unidirectional with friction feed (Reverse feed is not supported.)	
Printing width		72.0 mm (2.83"), 512 dots	50.8 mm (2.0"), 360 dots
Characters per line	Font A (12 × 24)	42	30
	Font B (9 × 17)	56	40
Maximum print speed *		200 mm/s for Simplified Chinese and Korean model 300 mm/s Other model	
Line spacing		4.23 mm {1/6"} (Initial setting)	

dpi: dots per inch

\*: When printing with the default print density level at 24V and 25°C {77°F}.

## Character Specifications

Number of characters		Alphanumeric characters: 95 Extended graphics: 128 × 43 pages International characters: 18 sets
Character structure		Font A (default): 12 × 24 (including 2-dot horizontal spacing) Font B: 9 × 17 (including 2-dot horizontal spacing)
Character size	Font A	Standard: 1.41 × 3.39 mm Double-height: 1.41 × 6.77 mm Double-width: 2.82 × 3.39 mm Double-width, double-height: 2.82 × 6.77 mm
	Font B	Standard: 0.99 × 2.40 mm Double-height: 0.99 × 4.80 mm Double-width: 1.98 × 2.40 mm Double-width, double-height: 1.98 × 4.80 mm

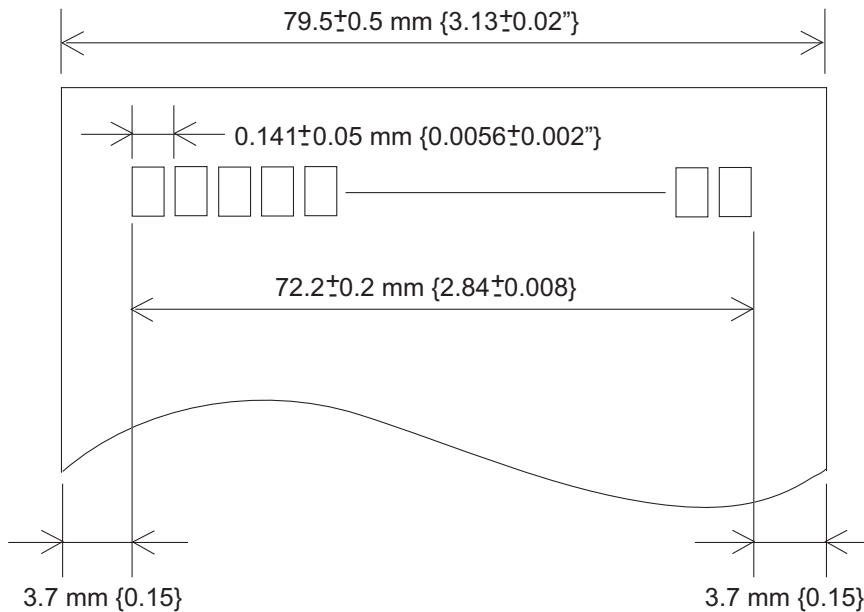
Note:

1. Space between characters is not included.
2. Characters can be scaled up to 64 times as large as the standard size.

## Printable Area

### 80 mm paper width printing

The printable area of paper with a width of  $79.5 \pm 0.5$  mm  $\{3.13 \pm 0.02\}$ " is  $72.2 \pm 0.2$  mm  $\{2.84 \pm 0.008\}$ " (512 dots), and the space on the right and left sides is approximately 3.7 mm  $\{0.15\}$ ".



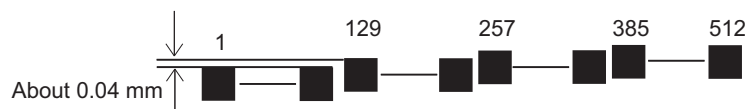
All the numeric values are typical.

#### CAUTION

- In 2-divided energizing, the print position within the printable area of the thermal elements for dots 1 to 256 and 257 to 512 is shifted approximately 0.07 mm  $\{0.0028\}$ " in the paper feed direction as shown in the figure below.

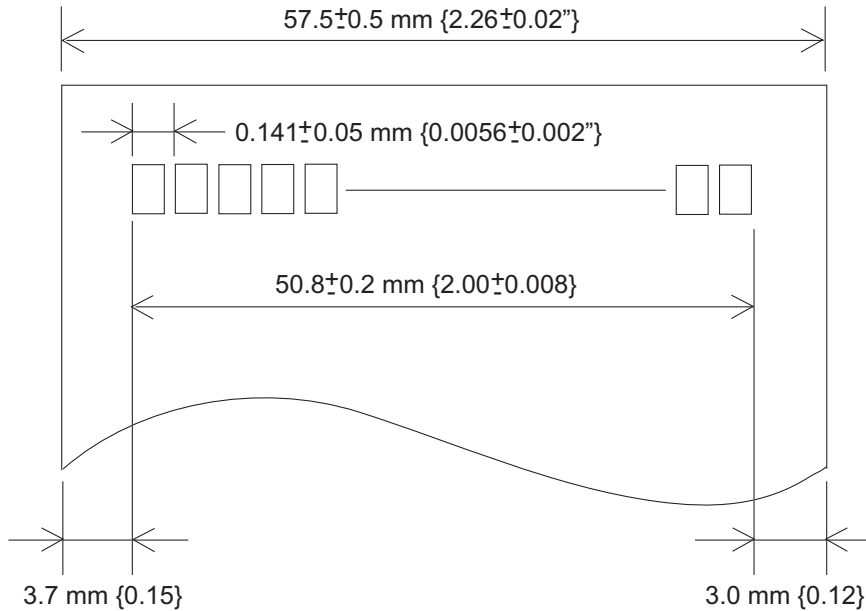


- In 4-divided energizing, the print position within the printable area of the thermal elements for dots 1 to 128, 129 to 256, 257 to 384, and 385 to 512 is shifted approximately 0.04 mm  $\{0.0016\}$ " in the paper feed direction as shown in the figure below.



## 58 mm paper width printing

The printable area of paper with a width of  $57.5 \pm 0.5$  mm  $\{2.26 \pm 0.02\}$ " is  $50.8 \pm 0.2$  mm  $\{2.00 \pm 0.008\}$ " (360 dots), and the space on the left side is approximately 3.7 mm  $\{0.15\}$ " and the space on the right side is approximately 3.0 mm  $\{0.12\}$ ".



All the numeric values are typical.

### CAUTION

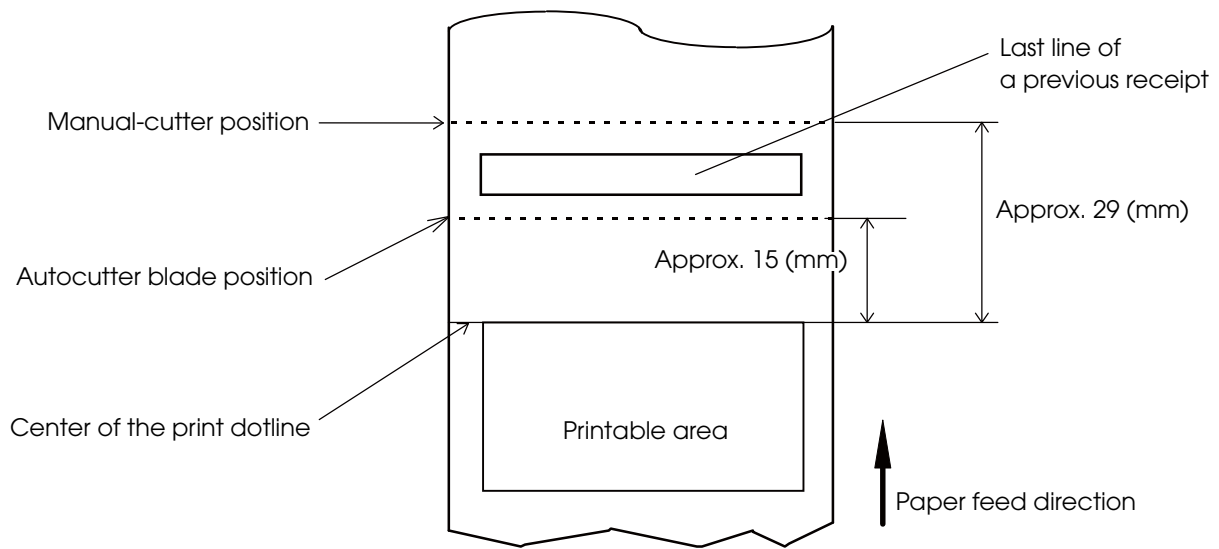
- In 2-divided energizing, the print position within the printable area of the thermal elements for dots 1 to 256 and 257 to 360 is shifted approximately 0.07 mm  $\{0.0028\}$ " in the paper feed direction as shown in the figure below.



- In 4-divided energizing, the print position within the printable area of the thermal elements for dots 1 to 128, 129 to 256, and 257 to 360 is shifted approximately 0.04 mm  $\{0.0016\}$ " in the paper feed direction as shown in the figure below.



## Printing and Cutting Positions



### CAUTION

The values above may vary slightly as a result of paper slack or variations in the paper. Take this into account when setting the cutting position of the autocutter.

## Paper Specifications

		80 mm width paper printing	58 mm width paper printing
Paper types		Specified thermal paper	
Form		Roll paper	
Size	Roll paper diameter	83 mm {3.27"} maximum	
	Roll paper core	Inside: 12 mm {0.47"}, Outside: 18 mm {0.71"}	
	Roll width when taken up	80 + 0.5/-1.0 mm	58 + 0.5/-1.0 mm
	Paper width	79.5 ± 0.5 mm	57.5 ± 0.5 mm
Specified roll paper type		NTP080-80	NTP058-80
Specified original paper type		P300, P310, P350 (Kanzaki Specialty Papers) AF50KS-E (Jujo Thermal Oy) F5041 (Mitsubishi HiTec Paper Flensburg GmbH) KT55F20, KT48F20 (Koehler Paper Group)	

### CAUTION

- Paper must not be pasted to the roll paper core.
- The remaining amount of the roll paper when a roll paper near-end is detected differs depending on the core type.



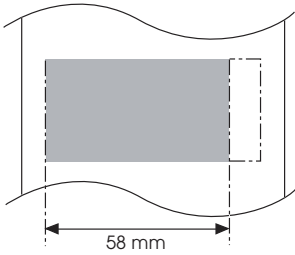
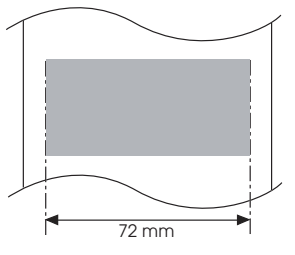
## Electrical Characteristics

AC adapter, RA	Input voltage	AC 90 V to 264 V (AC 100 V to 240 V)
	Output voltage	DC 24 V / DC 5 V (2 outputs)
Supply current from the product	USB	5 V/2.0 A Maximum supply current of per port: 500 mA
	microSD	3.3 V/80 mA
Consumed current (Rating)		24 V/1.8 A, 5 V/2.5 A
Consumed power		When operating: 38.7W (230V/50Hz), 38.8W (115V/60Hz) When standby: 2.8W (230V/50Hz), 2.7W (115V/60Hz) When off: 0.43W (230V/50Hz), 0.30W (115V/60Hz)
Power supply On/Off		Use the power switch on the product

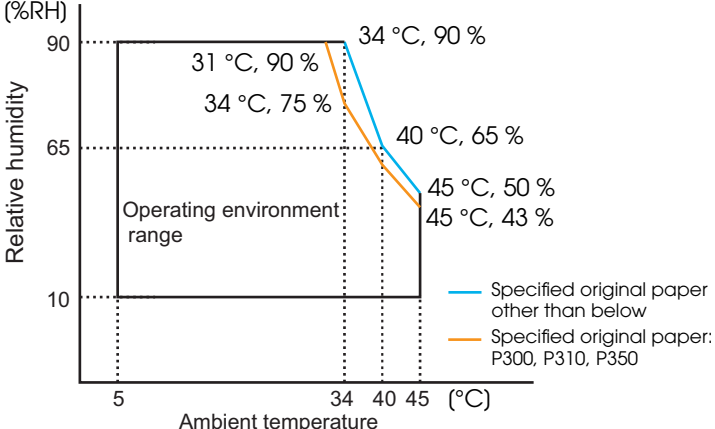
### CAUTION

If printing is continuously performed with a high ratio, the overcurrent protection may be activated and result in uneven print density or a low voltage error. Therefore, the printing length must not exceed the following values when printing with high print ratio.

Print ratio: Number of dots being energized per one dot line/Total number of dots per one dot line (512 dots)

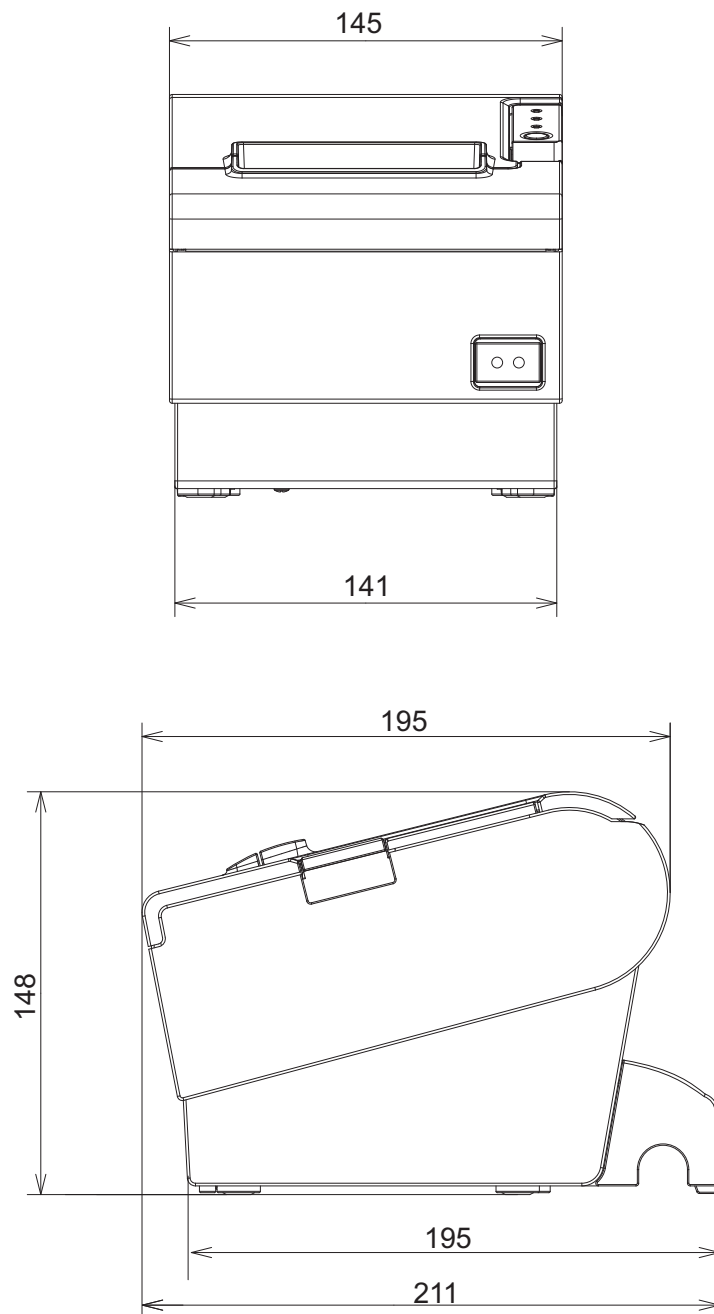
Print ratio	80%	100%
Print example		
Print length	20 mm	20 mm

## Environmental Conditions

Temperature/ Humidity	Operating	5 to 45 °C {41 to 113 °F}, 10 to 90 %RH (See the operating temperature and humidity range below.)
	Storage (Factory packing)	<p>-10 to 50 °C {14 to 122 °F}, 10 to 90 %RH (except for paper)</p>  <p>— Specified original paper other than below — Specified original paper: P300, P310, P350</p>
Acoustic noise (operating)		<p>Approximately 55 dB (bystander position)</p> <p>Note:</p> <p>The values above are measured in the Epson evaluation condition.</p> <p>Acoustic noise differs depending on the paper used, printing contents, and the setting values, such as print speed or print density.</p>

## External Dimensions and Mass

- Width: Approximately 145 mm {5.71"}
- Depth: Approximately 195 mm {7.68"}
- Height: Approximately 148 mm {5.83"}
- Mass: Approximately 1.6 kg {3.53 lb} (except for roll paper)



(Units: mm)

## AC Adapter, RA

Input conditions	Input voltage (rating): AC 100V to 240V
	Frequency (rating): 50 to 60 Hz
	Input current (rating): 1.8A
Output conditions	Output voltage: DC24 V/2.1A DC5V/3A

## Option Specifications

### Wireless LAN Cable Set (OT-WL01)

Wireless module	ELPAP07: 802.11b/g/n wireless LAN Module (Epson)
Standard	IEEE802.11b/g/n (Wi-Fi certified)
SSID	1 to 32 one-byte alphanumeric and numbers
Connection mode	Ad hoc mode, Infrastructure mode
Authentic method, Encryption algorithm	Open+WEP, Shared+WEP, WPA-PSK+TKIP, WPA-PSK+AES, WPA2-PSK+AES, WEP64, WEP128, TKIP, AES
Power voltage	DC 4.5V to 5.5V
Current consumption	300 mA at maximum
Frequency range	2.4 GHz band
Potential interference range	40 m
Overall dimensions	Wireless LAN unit: Approx. 24 x 51 x 10 (W x D x H) USB extension cable: 1 m (length)

### Customer Display (DM-D110)

For details on the specifications of the DM-D110, refer to the "DM-D110/DM-D210 Technical Reference Guide".

## Setting Items for Software Setting Mode

For details about how to set the software setting mode, see ["Software Setting Mode" on page 117](#).

Setting Item			Setting Values
1st page	2nd page	3rd page	* Underlined values are the initial settings.
1: Print Current Settings			-
2: Print Density	1: Monochrome		100%, 105%, 110%, 115%, 120%, 125%, 130%, 70%, 75%, 80%, 85%, 90%, 95%, <u>Depends On Dip Switch</u>
	2: Multi-Tone		<u>100%</u> , 105%, 110%, 115%, 120%, 125%, 130%, 70%, 75%, 80%, 85%, 90%, 95%
3: Baud Rate * <sup>1</sup>			2400bps, 4800bps, 9600bps, 19200bps, <u>38400bps</u> , 57600bps, 115200bps
4: Automatic Paper Reduction	1: Upper Margin		Enable, <u>Disable</u>
	2: Lower Margin		Enable, <u>Disable</u>
	3: Blank Line Spacing		25%, 50%, 75%, <u>Not Reduce</u>
	4: Blank Space		25%, 50%, 75%, <u>Not Reduce</u>
	5: Barcode Height		25%, 50%, 75%, <u>Not Reduce</u>
5: Auto Paper Feed&Cut at cover close			Enable, <u>Disable</u>
6: Paper Width			<u>80mm</u> , 58mm
8: Default Character * <sup>1</sup>	1: Code Page	1: Western Europe, Southern Europe	<u>Page0:PC437(USA,Standard Europe)</u> , Page3:PC860(Portuguese), Page11:PC851(Greek), Page14:PC737(Greek), Page15:ISO8859-7(Greek), Page16:WPC1252, Page18:PC852(Latin2), Page19:PC858, Page34:PC855(Cyrillic), Page38:PC869(Greek), Page39:ISO8859-2(Latin2), Page40:ISO8859-15(Latin9), Page45:WPC1250, Page47:WPC1253
		2: Eastern Europe, Northern Europe	Page5:PC865(Nordic), Page17:PC866(Cyrillic#2), Page33:WPC775, Page35:PC861(Icelandic), Page42:PC1118(Lithuanian), Page43:PC1119(Lithuanian), Page44:PC1125(Ukrainian), Page46:WPC1251, Page51:WPC1257
		3: USA, Canada	Page0:PC437(USA,Standard Europe), Page4:PC863(Canadian-French)

Setting Item			Setting Values * Underlined values are the initial settings.
1st page	2nd page	3rd page	
8: Default Character (Continued from the previous page)	1: Code Page (Continued from the previous page)	4: Asia	Page1:Katakana, Page20:KU42, Page21:TIS11(Thai), Page26:TIS18(Thai), Page30:TCVN-3(Vietnamese), Page31:TCVN-3(Vietnamese), Page52:WPC1258, Page53:KZ-1048(Kazakhstan)
		5: Turkey, Arabia, Israel	Page12:PC853(Turkish), Page13:PC857(Turkish), Page32:PC720, Page36:PC862(Hebrew), Page37:PC864(Arabic), Page41:PC1098(Farsi), Page48:WPC1254, Page49:WPC1255, Page50:WPC1256
		6: Others	Page2:PC850(Multilingual)
	2: International Character Set	1: The Americas, Europe	<u>USA</u> , France, Germany, Britain, Denmark I, Sweden, Italy, Spain I, Norway, Denmark II, Spain II, Latin America, Slovenia/Croatia
		2: Asia, Arabia	Japan, Korea, China, Vietnam, Arabia
9: Embedded Font Replacement	1: Font A Replacement		<u>Font A(No Replacement)</u> , Font B
	2: Font B Replacement		Font A, <u>Font B(No Replacement)</u>
10: Interface Selection *2			UIB, Built-in USB, <u>Auto</u>
11: USB Interface Settings *2	1: Class		<u>Vendor Class</u> , Printer Class
12: Power Supply Output			Level 1(Low), Level 2, <u>Level 3(High)</u>
13: Printing Speed			Level 1(Slow), Level 2, Level 3, Level 4, Level 5, Level 6, Level 7, Level 8, Level 9, Level 10, Level 11, Level 12, <u>Level 13(Fast)</u>

Setting Item			Setting Values
1st page	2nd page	3rd page	* Underlined values are the initial settings.
14: Other Settings	1: Printer Model *2		<u>TM-T88V</u> , TM-T88IV
	2: Buzzer Control	1: Option Buzzer	Enable, <u>Disable</u>
		2: Buzzer Frequency (Error)	<u>Continuous</u> , 1 time, No Sound
		3: Sound Pattern (Autocut)	<u>Pattern A</u> , Pattern B, Pattern C, Pattern D, Pattern E
		4: Buzzer Frequency (Autocut)	<u>1 time</u> , No Sound
		5: Sound Pattern (Pulse 1)	<u>Pattern A</u> , Pattern B, Pattern C, Pattern D, Pattern E
		6: Buzzer Frequency (Pulse 1)	<u>1 time</u> , No Sound
		7: Sound Pattern (Pulse 2)	Pattern A, <u>Pattern B</u> , Pattern C, Pattern D, Pattern E
8: Buzzer Frequency (Pulse 2)	<u>1 time</u> , No Sound		

\*1: No settings are required.

\*2: Do not change the settings.

---

## *Character Code Tables*

For character code tables, refer to "Character Code Tables for TM printers", which can be accessed from the following URL.

<https://reference.epson-biz.com/pos/reference/>