



22" Touch Monitor

FEC

ELEVATE YOUR BUSINESS

LD-9022W

2022/05/23

© COPYRIGHT 2019 FIRICH ENTERPRISES CO., LTD. ALL RIGHTS RESERVED.

FEC

Outlook



Features



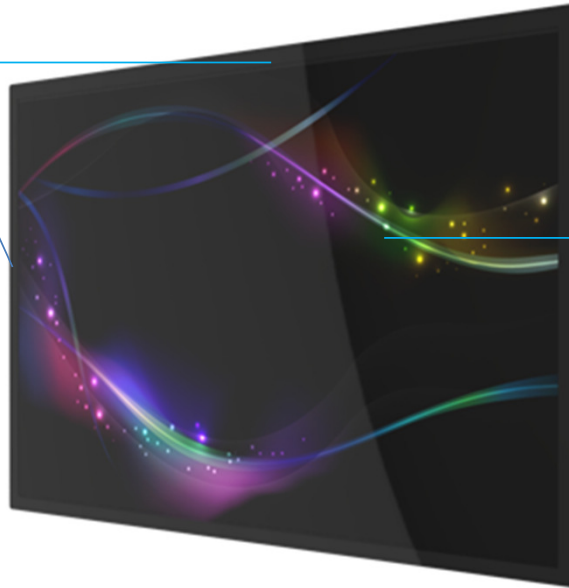
LD-9022W

- **Slim Border:** 22" Full HD open frame touch monitor with slim border (~20mm)
- **Multi-Touch :** Capacitive touch panel supporting 10 point multi-touch
- **I/O Supported:** VGA, HDMI, Line-In, USB-B, USB-A, RJ11
- **Integrated and optional remote OSD control:** Integrated OSD buttons are built-in on the rear side of monitor. Optional remote OSD control is also available.
- **Mounting Options:** VESA 100 x 100 mm for wall and stand mounting. Optional panel mount bracket for Kiosk application.

Product Description

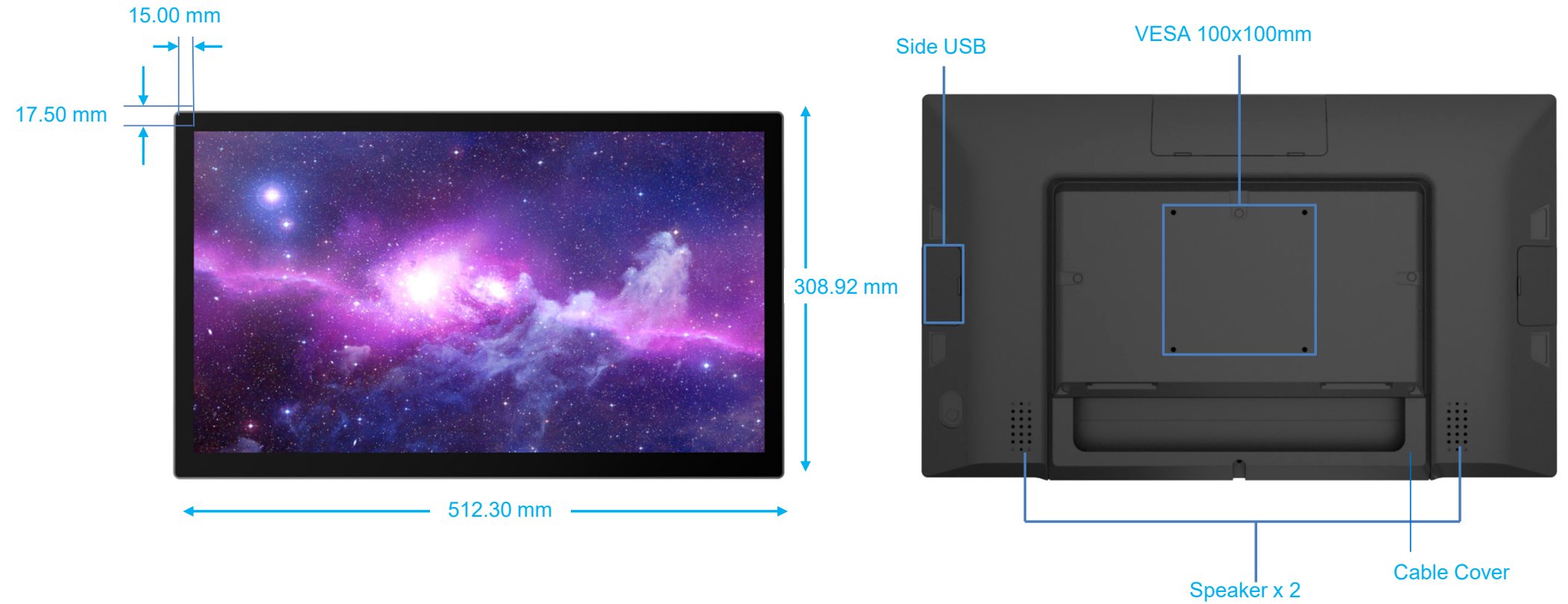
Border Width:

- Top/Bottom: 17.50 mm border
- Left/Right: 15.00 mm border



22" 1920 x 1080 P-cap Touch Display

Product Description



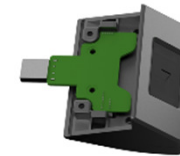
Product Description



Add-on Devices to
Side USB



MSR



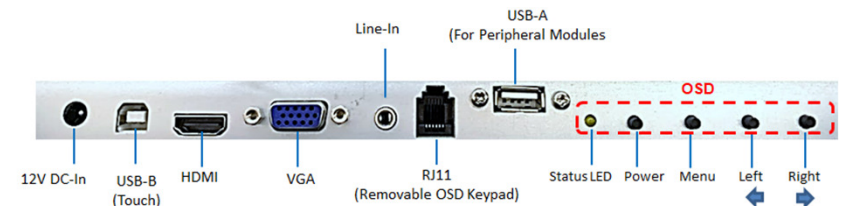
Fingerprint Reader



RFID

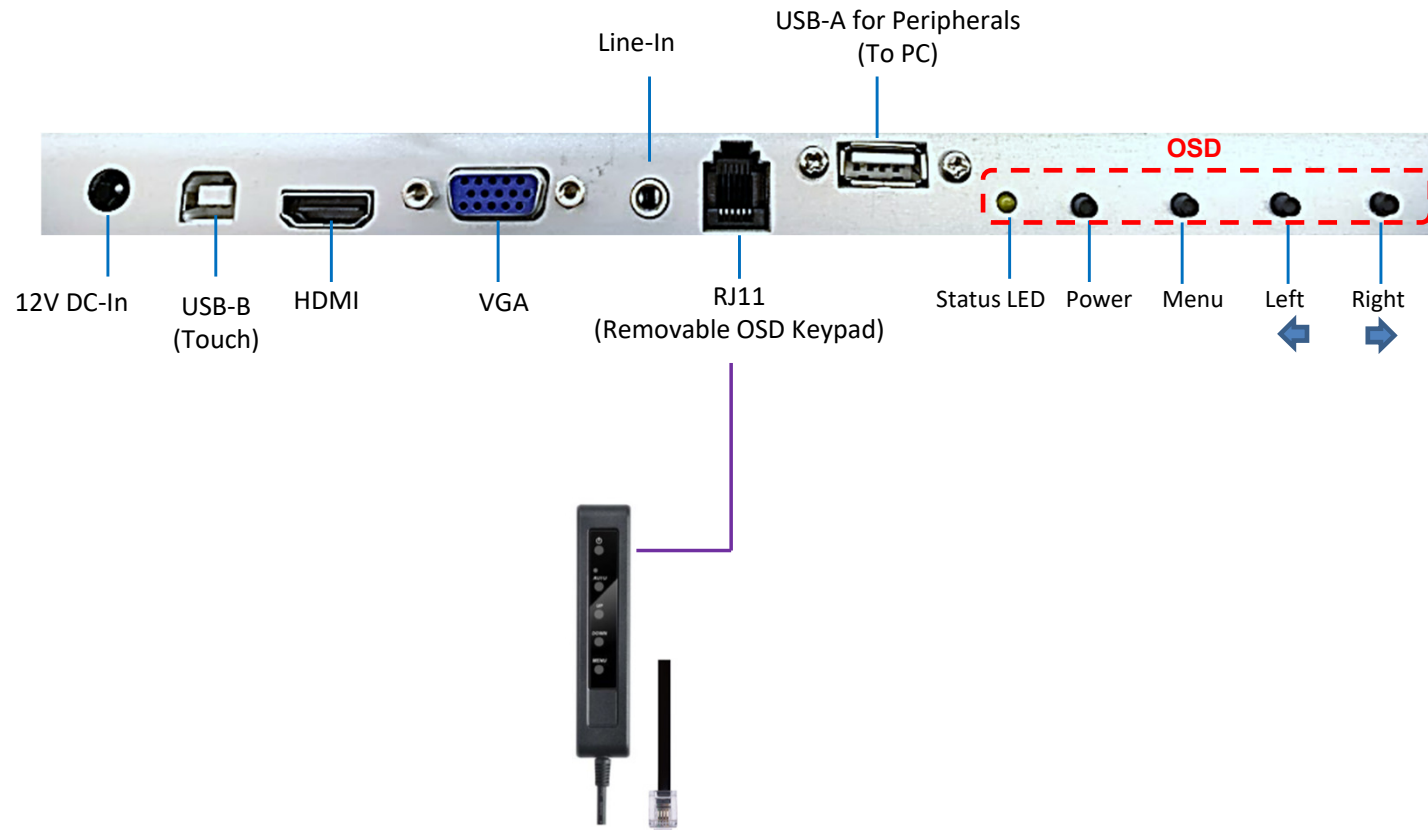
Product Specifications

	LD-9022W
Screen size	22"
Aspect ratio Resolution & View Angle	1920 x 1080 / 1:1000 H: 178 / V: 178
Brightness	250 nits (without PCAP) / 225 nits (with PCAP) Backlight Life: 50K hours
Privacy Filter	Optional (Default is None)
Touch	<ul style="list-style-type: none"> • P-Cap (Optional AG Coating) • 10 PT Multi-Touch
I/O Ports	USB-B, HDMI, VGA, Line-In, RJ11, USB-A
Integrated OSD Buttons	Power, Menu, Left, Right
Speaker	2 x 2W
Power Input	12V 48W
Mounting	<ul style="list-style-type: none"> • VESA 100 x 100mm for Stand / Wall Mounting • Panel Mount Bracket (optional)
OSD Keypad	Integrated OS Keypad
Accessories	HDMI or VGA Cable (Choose 1) USB- A to B Cable x1 Power Adapter & Power Cord x 1 External OSD Keypad (optional)



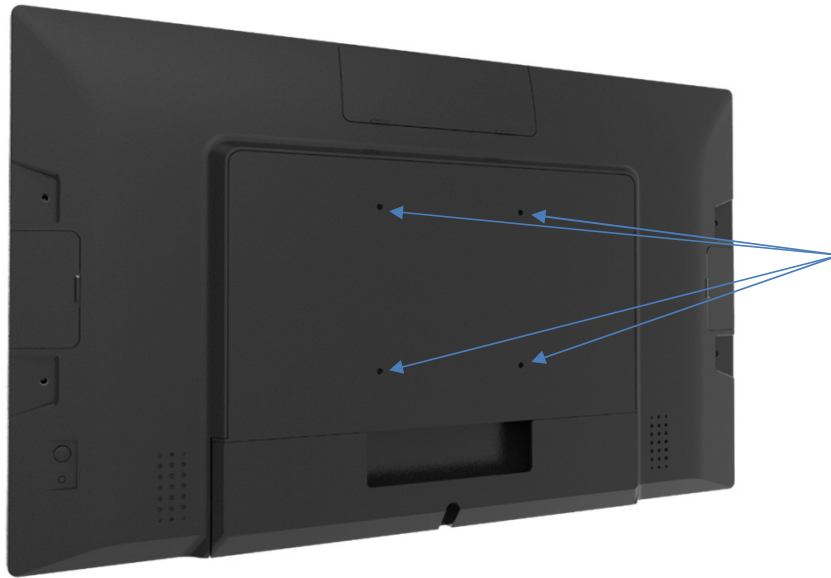
I/O Ports

LD-9022W



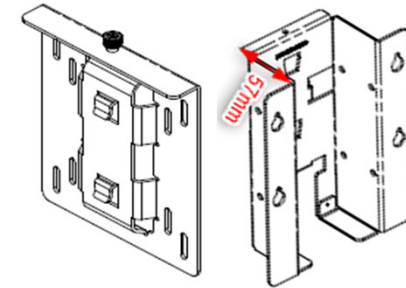
Optional – External OSD Keypad
(Cable Length: 100 cm)

MOUNTING OPTION – Rear Mount Brackets



Type 1 FEC Universal Mounting Kit

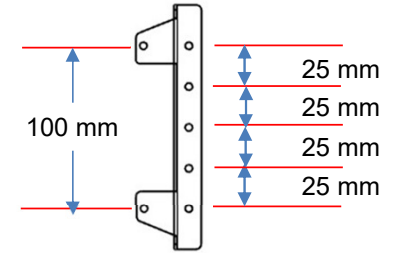
- Thickness of wall mount bracket (no space for power adapter)= 21mm



Type 2 FEC Mounting Kit

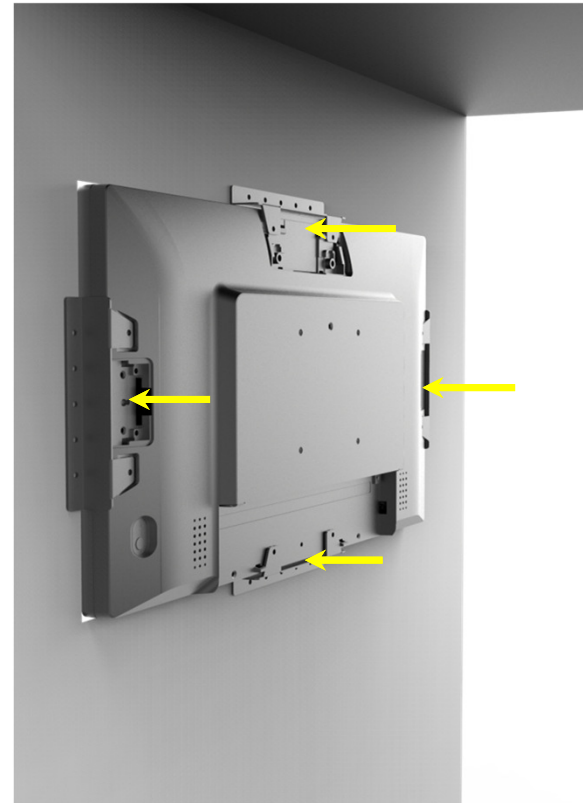
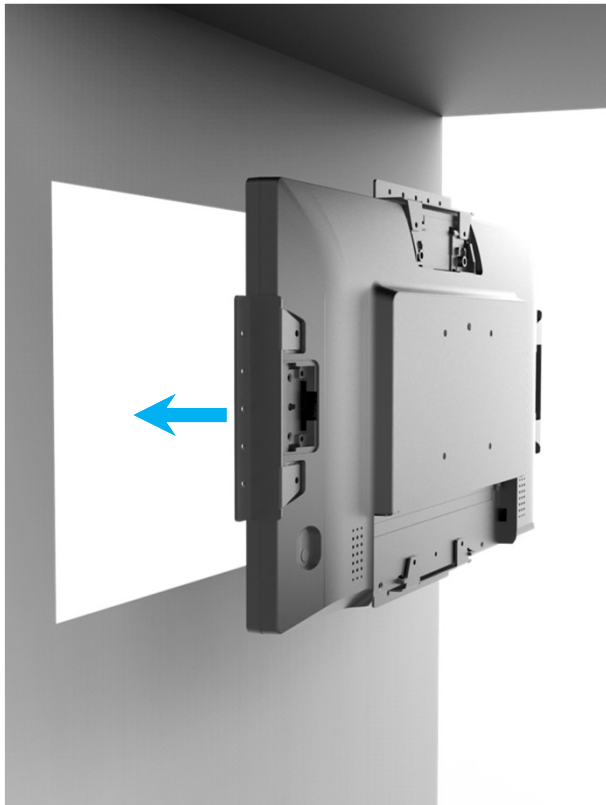
- Thickness of Wall Mount bracket (space for power adapter)= 57mm

MOUNTING OPTION – Mounting Bracket

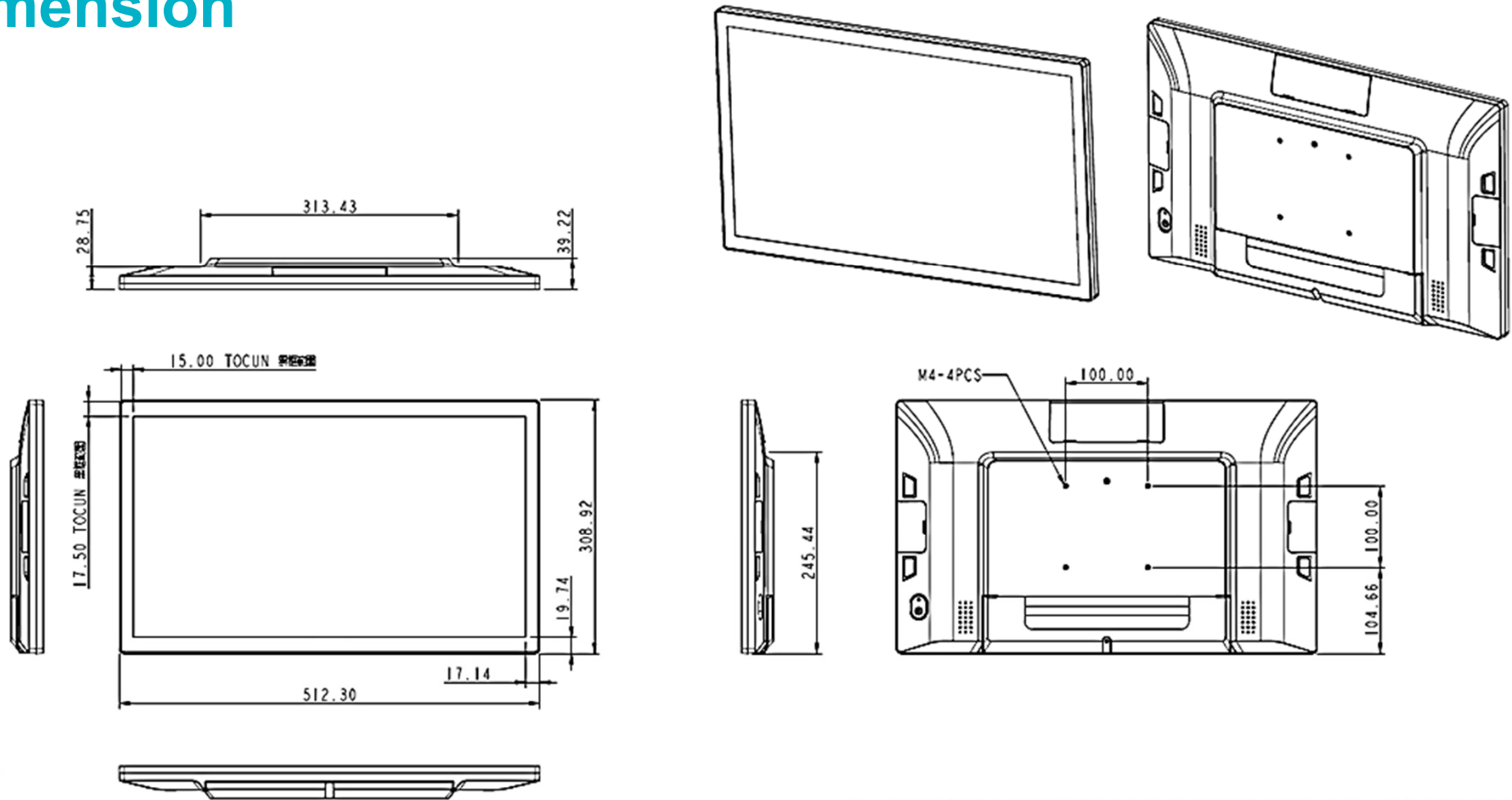


FEC

Rear Mounting



Dimension





FEC

ELEVATE YOUR BUSINESS

THANK YOU

© COPYRIGHT 2019 FIRICH ENTERPRISES CO., LTD. ALL RIGHTS RESERVED.