

# PA-A901

› Highly Integrated and High Performance 15.6" All in One POS Terminal

NEW



## Features



- Support Intel® 7th Gen. Core™ i5-7500 CPU
- 15.6" TFT LCD panel with bezel-free P-CAP touch panel
- Narrow bezel monitor
- Versatile design for multiple applications
- Side mount MSR / i-Button / Fingerprint / RFID (Optional)
- Embedded 2" or 3" thermal printer / barcode scanner / wireless LAN / VFD or 7" 2nd display (Optional)

## Specifications



System	CPU Support	Intel® Core™ 7th Gen. Processor	Intel® Core™ 6th Gen. Processor
	Memory	Intel® Core™ i5-7500T, TDP 35W Intel® Core™ i3-7101E, TDP 54W Intel® Core™ i3-7101TE, TDP 35W Intel® Pentium® G4560, TDP 54W Intel® Celeron® G3930TE, TDP 35W	Intel® Core™ i5-6500, TDP 65W Intel® Core™ i3-6100, TDP 51W Intel® Celeron®, G3900 TDP 65W Intel® Pentium®, G4400 TDP 54W
	Network	1 x DDR4 SO-DIMM (1slot, up to 8GB)	
	Power Supply	Gigabit 10/100/1000 Base-T Fast Ethernet	
	Audio	120~150 watt power adapter	
	System Weight	2W speaker	
	Dimensions (W x H x D)	With power adapter approx. 5 kg	
	O.S. Support	372 x 169 x 315 mm	
Storage	SATA	Windows 10 / Windows 7 Pro / POS Ready 7 / WES 7	
I/O Ports	USB	1 x 2.5" HDD or SSD	
	Serial Ports	Rear: 2 x USB 2.0 / 2 x USB 3.0 Side: 1 x USB 2.0	
	LAN	1 x RJ45 + 2 x DB9 (all support +5V/+12V selectable)	
	VGA	1 x RJ45	
	Cash Drawer	1 x DB15	
	DC In	1 + 1 (option, with Y cable) x RJ11 (+12V or +24V selectable) 1 x 4 pin DC power jack	
Add-ons	Customer Display	VFD, 20 columns and 2 lines, each column is 16 x 16 dots	
	Printer	2" or 3" easy loading thermal printer with auto-cutter	
	MSR & iButton	JIS I or II, ISO Track1+2+3 (PS/2 interface)	
	Fingerprint	8-bit grayscale reader	
Display	2nd Display	7" TFT LCD, resolution 1024 x 600, brightness 220 cd/m <sup>2</sup>	
	LCD	15.6" TFT LCD	
	Resolution	1366 x 768	
	Brightness	220 cd/m <sup>2</sup>	
	Touchscreen	15.6" capacitive touch panel, USB interface	
Environment	Tilt Angle	40 degrees	
	EMC & Safety	CE / FCC	
	Operating Temp.	0°C~35°C	
	Storage Temp.	-5°C~60°C	
Humidity	20%~90%		

\*All information contained in this document is subject to change without prior notice. Please log on [www.protech.com.tw](http://www.protech.com.tw) to acquire latest information.

## Applications

- Retail
- Food Service
- Banking
- Information
- Hospitality

## Highlights

Printer Paper Out Fingerprint RFID



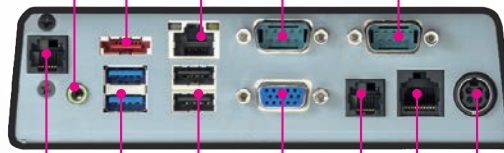
2nd Display Printer Barcode Scanner



USB

## System I/O Ports

Line Out eSATA LAN COM 2 COM 3

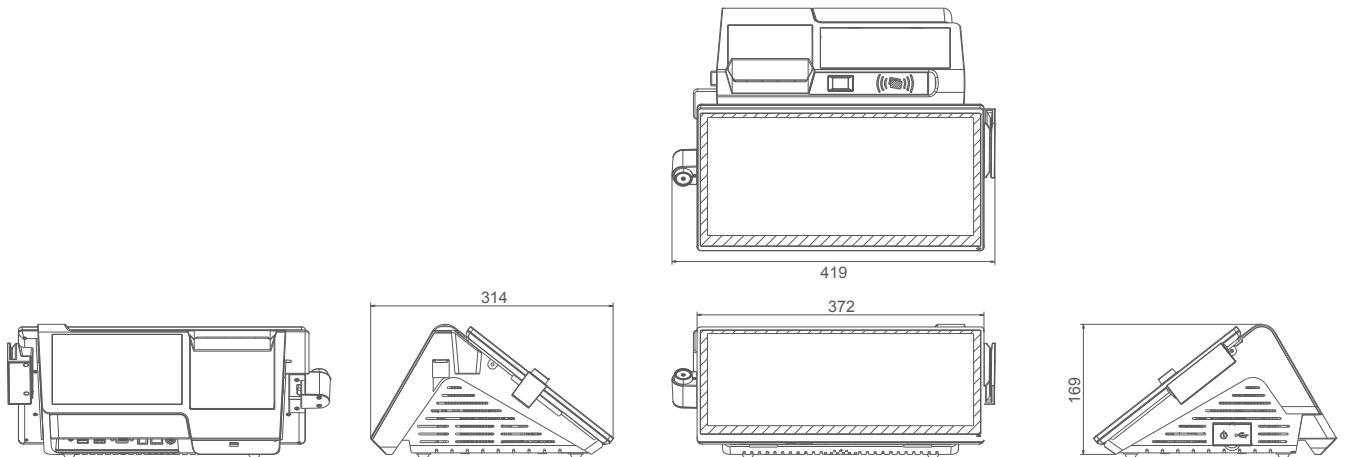


USB 3.0 USB 2.0 VGA COM 1 DC In

Cash Drawer 2 (optional)

Cash Drawer 1

## Dimensions



unit: mm



NOVOPOS AG  
Glärnischstrasse 7  
CH 8853 Lachen / SZ

www.novopos.ch  
info@novopos.ch  
+41 (0)44 787 67