

TM-T88VII Sales Presentation

Epson Europe, September 2021



Business objectives

- Keep the T88 series as the industry benchmark by demonstrating how it is the most reliable and has the best performance on the market.
- Demonstrate why Epson is the No 1 POS Printer Manufacturer in Western Europe consistently since 2013*.
- Position Epson as a forward-thinking sustainable and eco company.

The next step in a very successful history



* IDC, POS Printer Appraisal Western Europe CY 2020, 2020 shipments, published April 20

Product highlights



EPSON[®]
EXCEED YOUR VISION

Overview

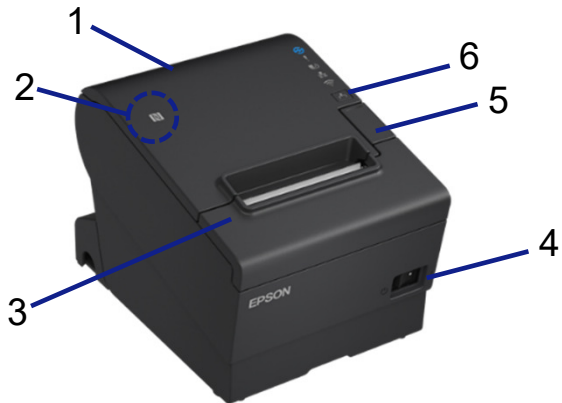
High speed printing: maximum 500mm/s (80mm)^{1,2}

Low noise level than T88VI: approx. 52dB (stand-by position)

Interface options (USB + Ethernet built-in in all models):

- Serial (UIB)
- PoweredUSB (UIB)
- USB Host (fixed interface)
(Note: Bluetooth is not supported in T88VII)

Backward compatibility with previous models



	Part name
1	Roll paper cover
2	NFC tag
3	Cutter cover
4	Power switch
5	Cover open button
6	Feed button

¹Text printing (built-in fonts), page mode, monochrome graphics printing, paper width 80mm at 24 VDC, 25° C, Print density 100%.

²Maximum print speed may not be achieved depending on the type of interface, data transmission, combination of commands and paper.

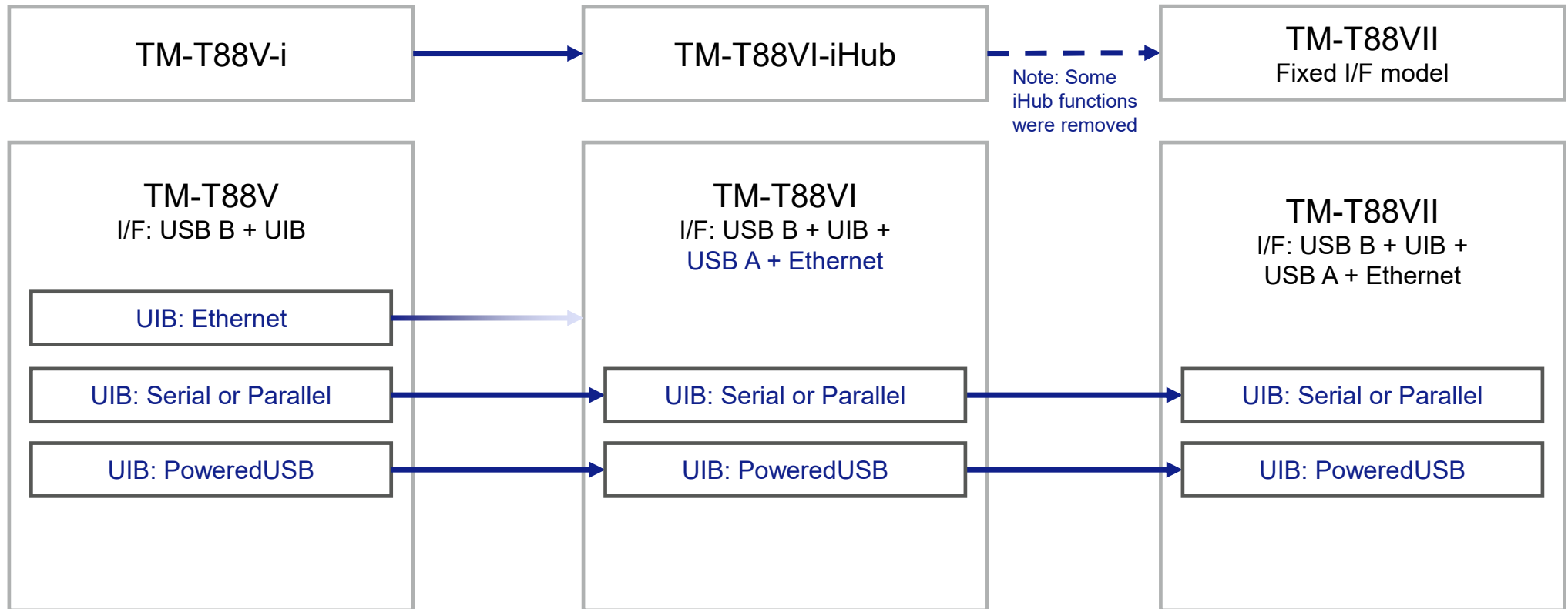


**USB Host
(fixed interface)**



**Serial
(UIB)**

Product range



Multiple interfaces




Model	UIB model	Fixed I/F model
USB	USB B x 1, USB A (0.5A) x 1	USB B x 1, USB A (0.5A) x 2
UIB	UB-S01/P02II/U06/R05	Not supported
WiFi	Option OT-WL06 (using an USB A)	Option OT-WL06 (using an USB A)

*Bluetooth is not supported for both 2 models



Major improvements

Faster, quieter, multi-language support, enhanced usability and connectivity

Model	TM-T88V	TM-T88VI	TM-T88VII
			
Printing speed	Max. 300mm/sec	Max. 350mm/s	Max. 500mm/s
Noise level	55db	55dB	52dB
Multi language support(UTF8)	Not supported	Not supported	Supported
Power supply	PS-180	PS-180	PS-190 (Compact)
Wi-Fi/Ethernet LED status*	No	No	Yes
IPX2 equivalent**	No	Yes	Yes
DM-D70 full function***	DM-D70 Not supported	No	Yes

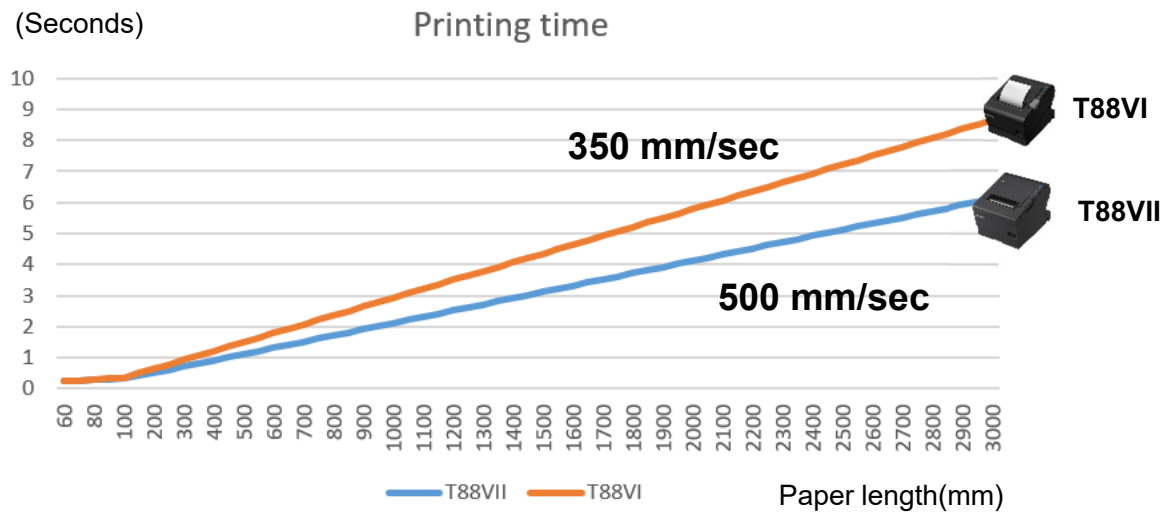
* WiFi via optional WiFi dongle (all models) or UIB interface (UIB models)

** Horizontal installation / excluding roll paper

*** For the UIB model, the display mode is limited to the fixed column mode depending on the type of interface used. See slide #19.

Printing speed

- Maximum 500mm/s (80mm paper)
- ~40% increase from T88VI



New power supply (PS-190)

- 24% smaller than PS-180
- Narrower DC cable
- Power equivalent to PS-180

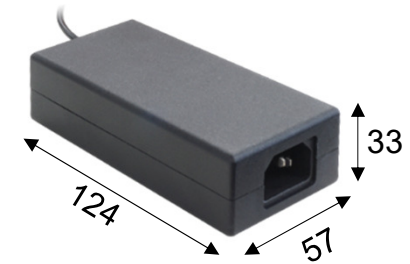
Note: PS-180 is also supported by TM-T88VII



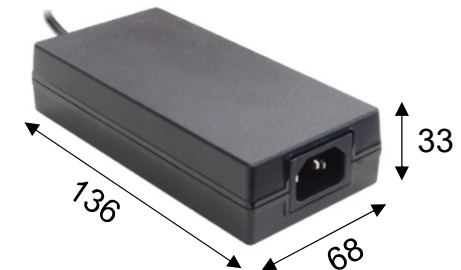
PS-180 (M159E) has the capacity to provide the power to TM-T88VII, but the performance is not guaranteed.

Dimensions

PS-190



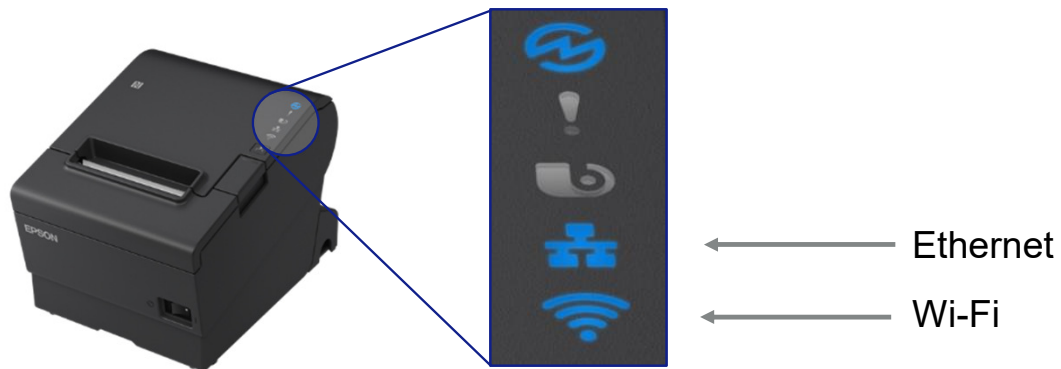
PS-180



WiFi/Ethernet LED status

Easy to check network connection status

	On	Blink	Off
Ethernet LED	Connected	IP address is now set	Disconnected
WiFi LED	Connected	Disconnected (OT-WL06)	OT-WL06 not present

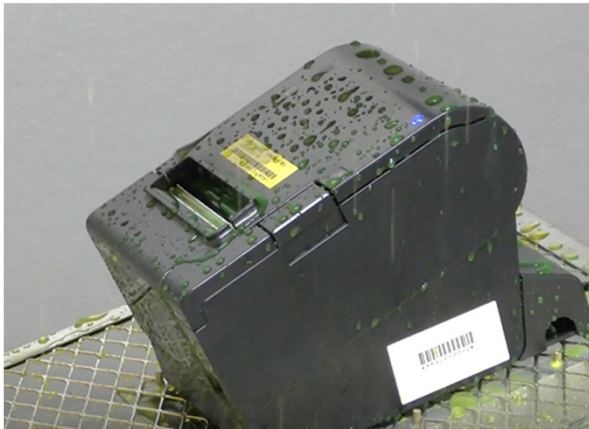


IPX2 equivalent

Water resistant* (IPX2 equivalent, the same as T88VI).

Piece of mind for installation on drink counters and kitchens.

Even if it gets wet, printer won't be damaged because water does not enter the board.



Note: water should never be poured intentionally.

* Horizontal installation / excluding roll paper



EPSON[®]
EXCEED YOUR VISION

Note regarding Blue4est paper

Blue4est/Blue4est Lite paper is **EPSON Certified** on the **T88VI** product.

Being **EPSON Certified** means that the paper does have some technical differences versus our **EPSON Guaranteed** in box sample roll paper.

The conditions below needs to be followed by end-users to ensure the quality and reliability of **T88VI**.

At the time of this presentation, Blue4est/Blue4est Lite paper has not been tested in **T88VII**.

Print Speed Settings	Print Density Setting	Auto Cutter Life
Printing with barcode 100mm/sec, Printing without barcode 300mm/sec	Printing with barcode 110% Printing without barcode 110%	2.4million cuts



Full support for DM-D70

Customer displays combination



Model	Interface	DM-D110 DM-D210	DM-D30	DM-D70	
				Fixed column-row mode	Standard mode
T88VII Fixed I/F model	On board USB On board Ethernet	○ (USB I/F only)	○	○	○
T88VII UIB model					
T88VII UIB model	Serial(UB-S01)* Parallel (UB-P02II)*	○ (USB I/F only)	○	○	N/A

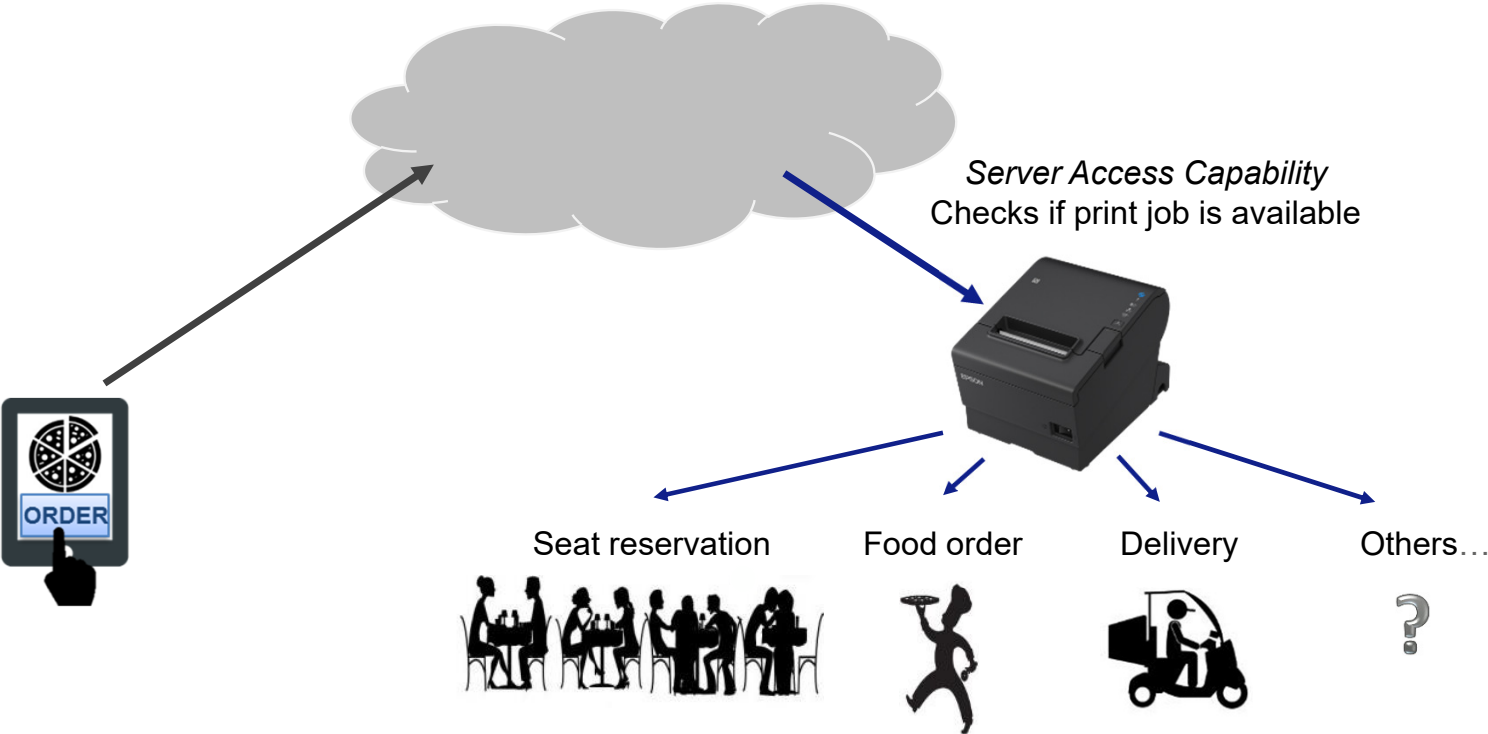
* When updating the firmware of DM-D70, or when using DM-D70 Utility/TM Utility, etc., it is necessary to connect DM-D70 directly to the PC.

Intelligent functions

	TM-T88VII (UIB model/fixed I/F model)	TM-T88VI	TM-T88VI-iHUB
ePOS-Print/ePOS-Display	Supported	Supported	Supported
Server Direct Print	Supported	Supported	Supported
Printer HUB	Not supported	Supported	Supported
Spooler & Forward Printing	Not supported	Supported	Supported
ePOS-Device	Supported (Line Display, Barcode Reader [HID,CDC])	Supported (Line Display, Barcode Reader [HID,CDC])	Supported (Line Display, Barcode Reader [HID,CDC])
ESC/POS Control (Barcode Reader[HID· CDC])	Supported	Supported	Supported
Status Notification	Supported	Supported	Supported
Web server	Not supported	Supported	Supported
Communication Box	Not supported	Not supported	Supported

Intelligent functions: Server Direct Print

Enabling cloud-based services



Intelligent functions: ePOS-Device

ePOS Device Technology

For controlling POS peripherals from web applications and smart devices such as smart phone or tablet.

SDK's are available for SW developers to create native apps or web applications.



Supported printer drivers and utilities

Driver	OS	Version	Remark
Advanced Printer Driver*	Windows	6.04	
OPOS ADK*	Windows	3.00R11	
OPOS for .NET*	Windows	1.4.19	
JavaPOS*	Windows/Linux	1.4.19	Newly Java 11 support
Linux CUPS Driver	Linux	T.B.D	
TM Series Printer Driver for Mac	Macintosh	3.00	
TM Virtual Port Driver	Windows	4.70	
ePOS SDK*	iOS/Android/Javascript	2.18.0	
Epson TM Print Assistant	iOS/Android	1.5.0	

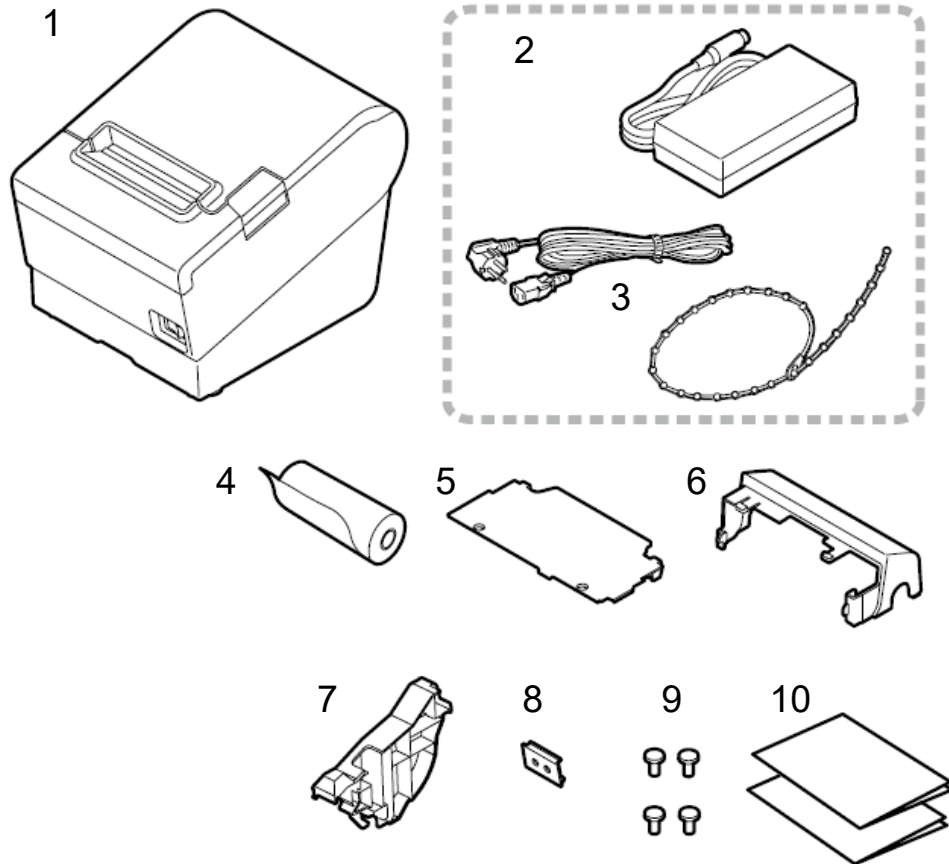
* TM-T88VII can work with previous version drivers which are supported for TM-T88VI and TM-T88V

Supported printer drivers and utilities

Utility	OS	Version	Remark
TM-T88VII Utility	Windows	1.00	
TM Utility for Tablet	iOS/Android	3.20.0	
Deployment Tool	Windows	2.10	
Monitoring Tool	Windows	2.50	
TM FontRunner	Windows	1.66	
BmpToRaster	Windows	2.00	Evaluation only
FlashWriter	Windows	4.70	Evaluation only
TM FlashWriter	Windows	11.00	Evaluation only
EPSON TMUSB Identifier Utility	Windows	5.00b	Does not full support
EpsonNet Config V4	Windows Macintosh	4.9.6	Does not full support (Only TM-T88VI compatible function) Please consider to use TM-T88VII Utility instead.
TM-T88VII Model Setting Utility	Windows	1.00	
TM-T88VII Firmware Updater	Windows	T.B.D	



What's in the box



	Item	Note
1	TM-T88VII	
2	AC adapter	Except P-USB model
3	AC cable	Except P-USB model
4	Roll paper	
5	Connector cover	
6	Connector cover	
7	Roll paper guide	For use with 58mm paper
8	Power switch cover	
9	Screw	
10	Setup guide	Some SKU bundles CD-ROM

Options

Item	Model
Power supply box	OT-BX88VII (Only for PS-190)
Optional external buzzer	OT-BZ20
Wall hanging bracket	WH-10
Affixing tape	DF-10
AC adapter	PS-190
Wi-Fi dongle	OT-WL06
UIB (Only for UIB model)	UB-S01,UB-P02II,UB-U06,UB-R05,etc.
Customer Display	DM-D110/D210(USB), DM-D30, DM-D70*

* For the UIB model, the display mode is limited to the fixed column mode depending on the type of interface used. See slide #19.



Thank you

For more information, please visit:

www.epson.eu

EPSON[®]
EXCEED YOUR VISION