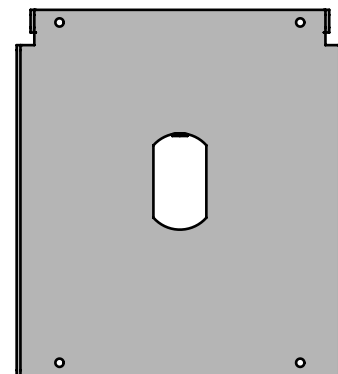
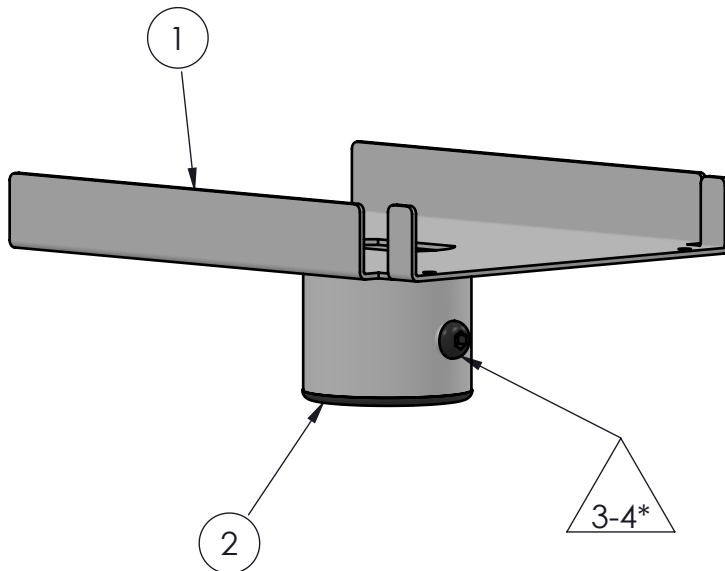
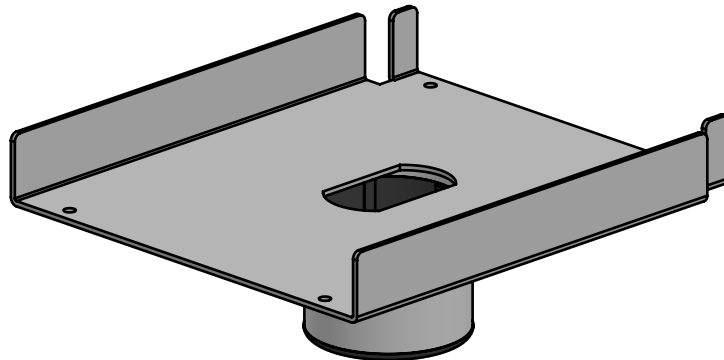



Rev	Change	Date	Int.
A	Prototype approved and P/N issued (Proto Proto 7444-vA)	11.02.16	PL



POS	PARTNUMBER	C4300102_S4	C4300102_S1	DESCRIPTION
1	C4300102U	1	1	Printer plate with straight Outerpole for Epson TM-T70
2	SP1-P22112-02	1	1	Plastic Anti-Wobble sleeve, SP1 long and black
3	M9936-0606-RAA	1	-	M6x6mm button headed screw, black
4	M9915-0606	-	1	Pinol M6x6mm, with hex hole

<p>*SELECT VARIANT</p> <p>See triangular balloon & parts list</p>	Description Printer plate with straight Outerpole for Epson TM-T70		Category	Weight 0.38 kg	Revision A
	 ergonomic solutions	COPYRIGHT © ERGONOMIC SOLUTIONS 2015 www.ergonomic-solutions.net		Size: A4	Name
		<small>Unless otherwise specified tolerances according to ISO 2768-m All dimensions are in millimeters</small>		Drawn cw	Date 13-01-2015
	Last Update pl			11-02-2016	
			Drawing No	C4300102	