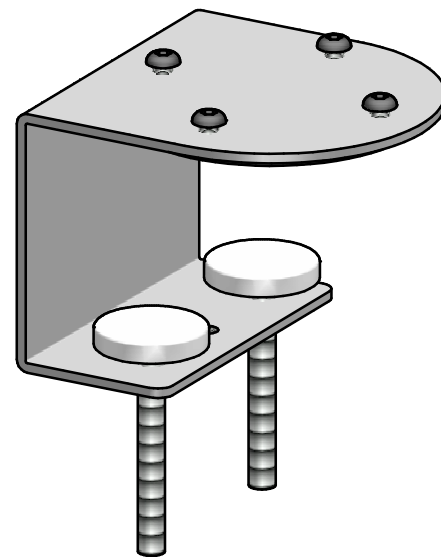
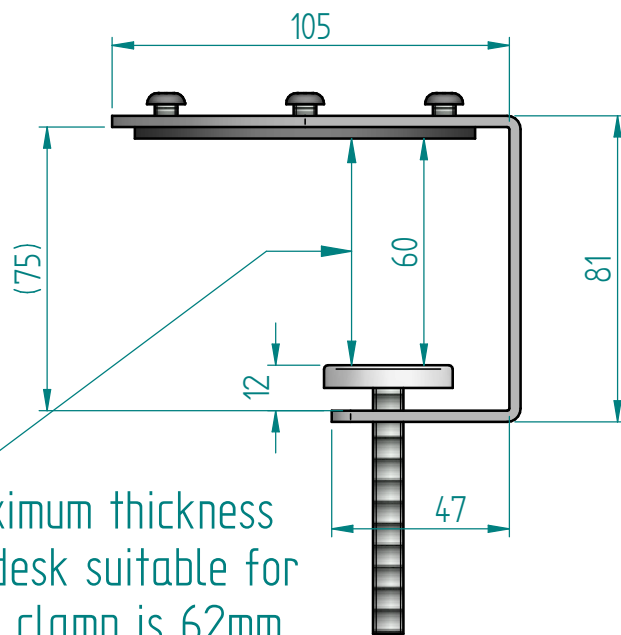
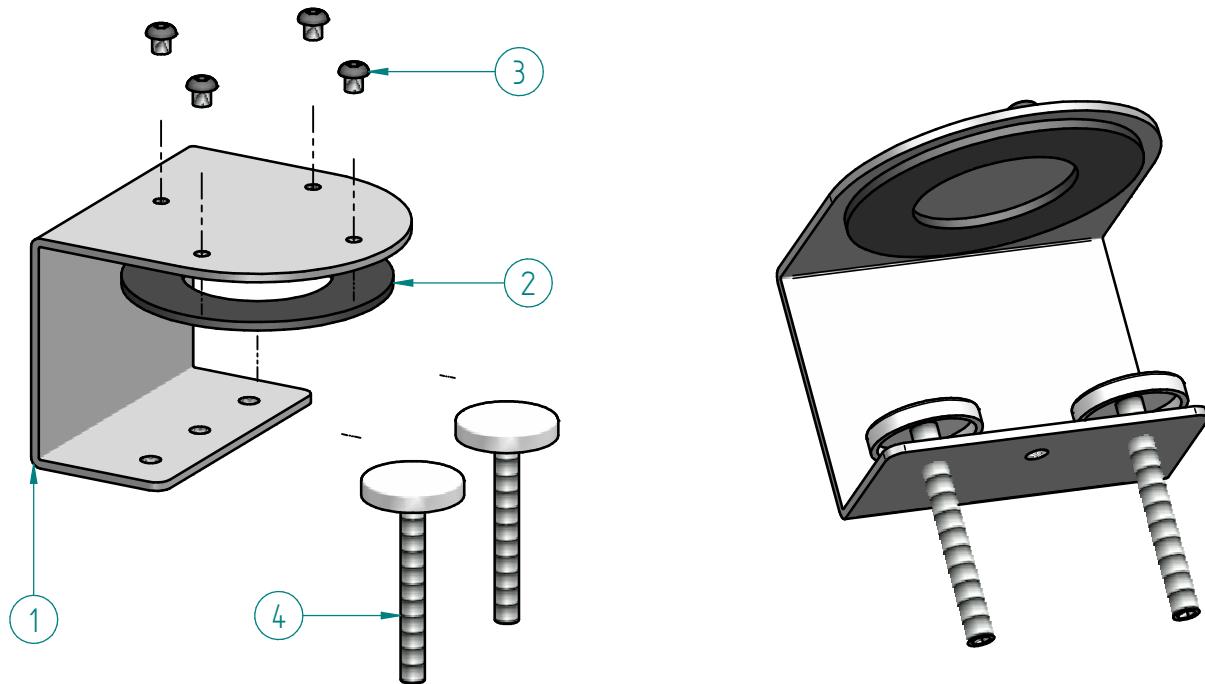





Rev	Change	Date	Int.
A	Part approved and part number issues (Proto 4332-vB)	12.08.10	PL



Pos	Part No.	Qty	Description
1	CB00103U	1	Bracket for Clamp (101x108x81mm)
2	P22151-02	1	Rubberfelt 3mm for Flange (FP Series)
3	M9936-0606-RAA	4	M6x6mm button headed screw, black
4	M7925-0870-WHITE	2	Adjusting Screw

Description Bracket for Clamp (101x108x81mm)	Product Line SpacePole	Weight 0,641 kg	Version A
	Size: A4 Drawn Checked	Name PL	Date 16-10-2012
 ergonomic solutions	COPYRIGHT © ERGONOMIC SOLUTIONS 2009 www.ergonomic-solutions.net Unless otherwise specified tolerances according to ISO 2768-m All dimensions are in millimeters		Drawing No CB00103